

This document contains information proprietary to Magnum Fitness Systems. It is submitted in confidence and is to be used solely for the purpose for which it is furnished. This document and such information is not to be reproduced, transmitted, or used in whole or part without written authorization.

TOLERANCES: + 0.000"
- 1/16"

UNLESS OTHERWISE SPECIFIED
DIMENSIONS ARE IN INCHES.

DRAWN BY:
R. Degenhardt

MAGNUM FITNESS SYSTEMS

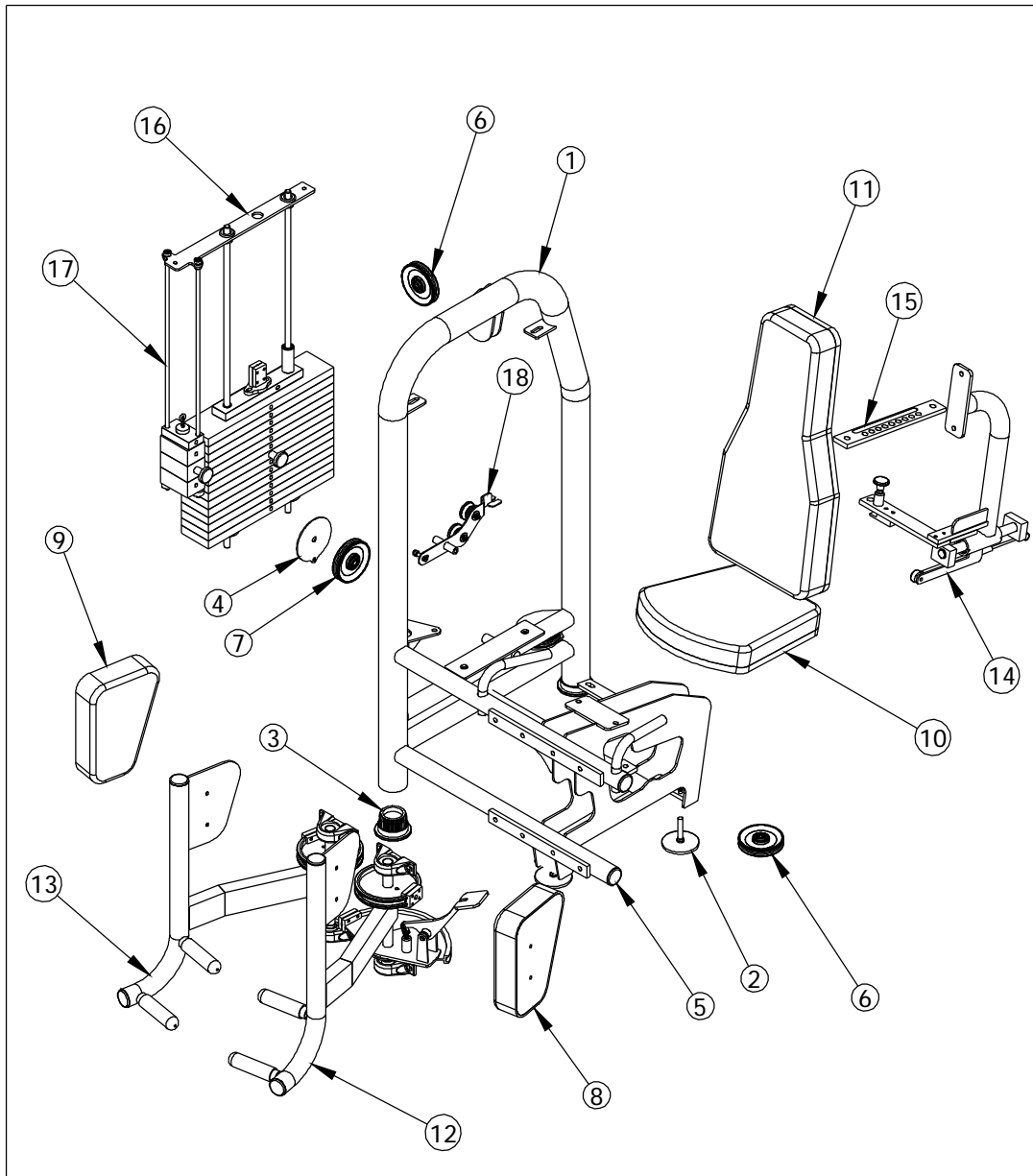
2201 12th. Avenue
S. Milwaukee, WI, 53172

TITLE: 2005 - ABDUCTOR

DATE: 07/02/04	PART NO. xxx-xxx	JOB NO. XXXXXXXX	REV: 1
-------------------	---------------------	---------------------	-----------

FILE LOCATION: C:\Cad Drawings\Solid Works\

1 OF 3



This document contains information proprietary to Magnum Fitness Systems. It is submitted in confidence and is to be used solely for the purpose for which it is furnished. This document and such information is not to be reproduced, transmitted, or used in whole or part without written authorization.

TOLERANCES: + 0.000"
- 1/16"

UNLESS OTHERWISE SPECIFIED
DIMENSIONS ARE IN INCHES.

DRAWN BY:
RAD

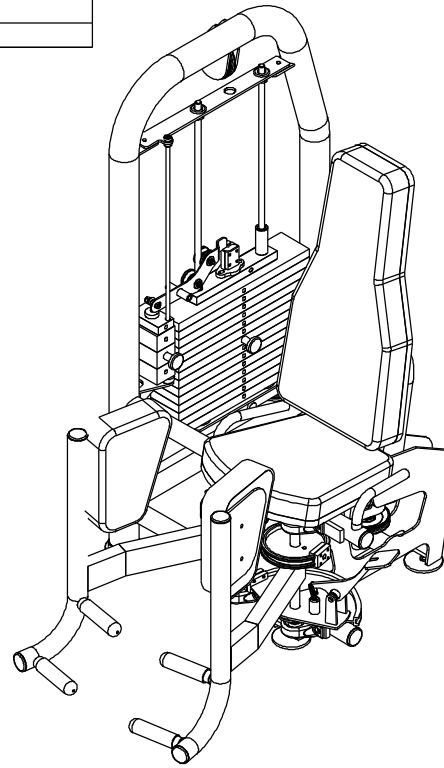
MAGNUM FITNESS SYSTEMS
2201 12th. Avenue
S. Milwaukee, WI, 53172

TITLE: 2005 - ABDUCTOR

DATE: 07/02/04	PART NO. xxx-xxx	JOB NO. XXXXXXXX	REV: 1
-------------------	---------------------	---------------------	-----------

FILE LOCATION: C:\Cad Drawings\Solid Works\ 2 OF 3

ITEM NO.	QTY.	PART NO.	DESCRIPTION
1	1	100-946	2004/2005 MAIN FRAME
2	2	833-129	4" FOOT (LONG)
3	2	850-056	3" FOOT
4	1	501-125	1/8" PLASMA
5	2	850-035	2" ROUND END CAP
6	3	853-303	4" CABLE PULLEY - 3/8" NARROW HOLE
7	1	853-300	4" CABLE PULLEY - 1/2" NARROW HOLE
8	1	900-050	KNEE UPHOLSTRY RIGHT
9	1	999-050	KNEE UPHOLSTRY LEFT
10	1	901-019	SEAT UPHOLSTRY
11	1	901-020	BACK REST UPHOLSTRY
12	1	101-312	2005 ARM (LEFT)
13	1	101-313	2005 ARM (RIGHT)
14	1	101-172	BACK REST ADJUSTMENT
15	1	339-925	1/2" x 2" F.S. - 14 7/8"
16	1	101-141	WEIGHT STACK ASSEMBLY
17	1	101-143	MINI WEIGHT STACK
18	1	101-148	LEFT BANANA ASSEMBLY



This document contains information proprietary to Magnum Fitness Systems. It is submitted in confidence and is to be used solely for the purpose for which it is furnished. This document and such information is not to be reproduced, transmitted, or used in whole or part without written authorization.

TOLERANCES: + 0.000"
- 1/16"

UNLESS OTHERWISE SPECIFIED
DIMENSIONS ARE IN INCHES.

DRAWN BY:
RAD

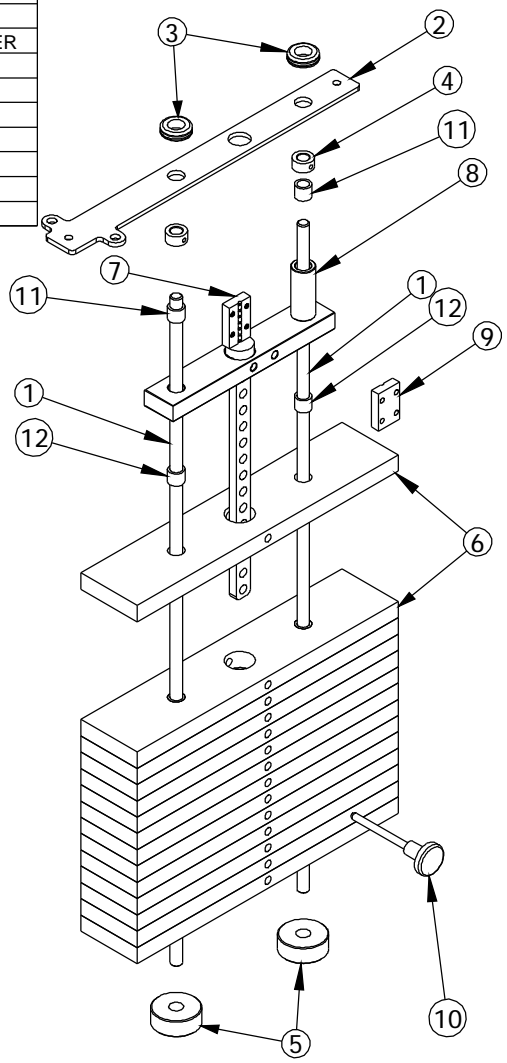
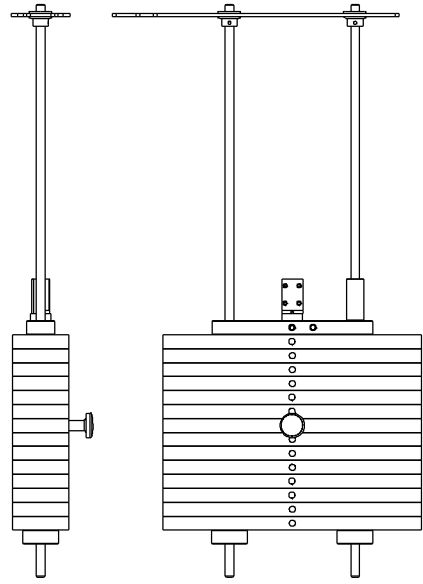
MAGNUM FITNESS SYSTEMS
2201 12th. Avenue
S. Milwaukee, WI, 53172

TITLE: 2005 ABDUCTOR

DATE: 07/02/04	PART NO. xxx-xxx	JOB NO. XXXXXXXX	REV: 1
-------------------	---------------------	---------------------	-----------

FILE LOCATION: C:\Cad Drawings\Solid Works\ 3 OF 3

ITEM NO.	QTY.	PART NO.	DESCRIPTION
1	2	200-384	5/8" GUIDE ROD - 41"
2	1	500-963	1/4" PLASMA
3	2	858-005	5/8" RUBBER GROMMET
4	2	852-610	5/8" SET COLLAR
5	2	838-211	ROUND WEIGHT STACK BUMPER
6	14	300-410	1" x 4" F.S. - 18 1/2"
7	1	101-079	15 HOLE CENTER STICK
8	1	100-539	TOP WEIGHT PLATE
9	1	339-714	1/2" x 1 1/2" F.S. - 2 1/4"
10	1	852-007	SELECTOR PIN w/ 6 1/2" CORD
11	2	849-001	7/8"OD x 5/8"ID x 3/4" BUSHING
12	28	849-002	7/8"OD x .640"ID x 3/4" BUSHING



This document contains information proprietary to Magnum Fitness Systems. It is submitted in confidence and is to be used solely for the purpose for which it is furnished. This document and such information is not to be reproduced, transmitted, or used in whole or part without written authorization.

TOLERANCES: + 0.000"
- 1/16"

UNLESS OTHERWISE SPECIFIED
DIMENSIONS ARE IN INCHES.

DRAWN BY:
RAD

MAGNUM FITNESS SYSTEMS
2201 12th. Avenue
S. Milwaukee, WI, 53172

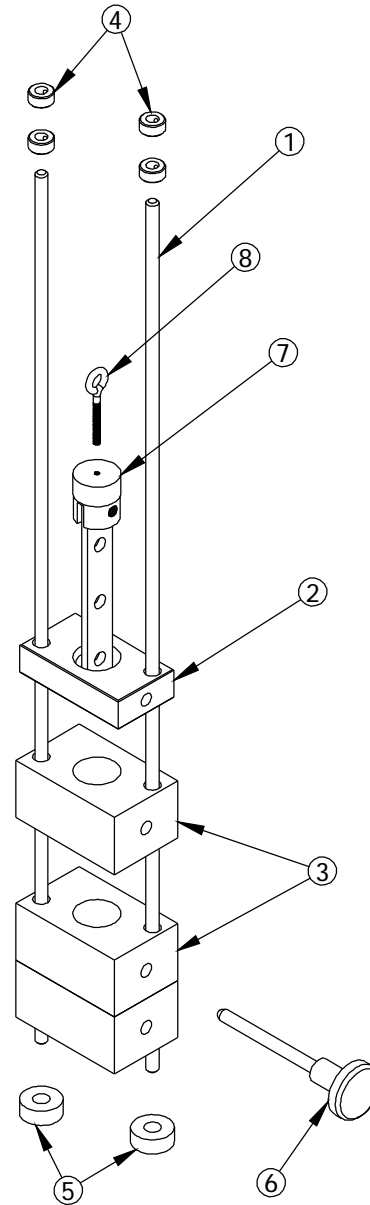
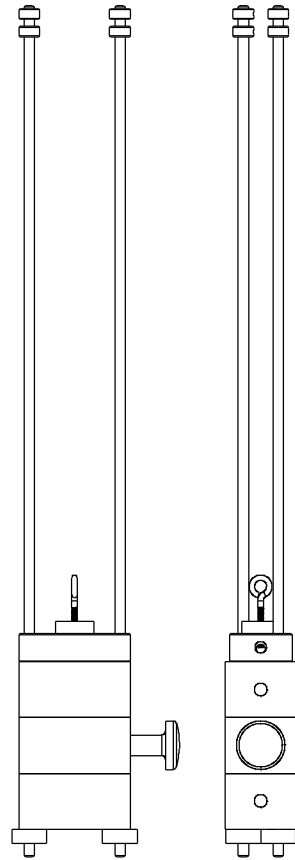
TITLE: 2005 WEIGHT STACK

DATE: 07/01/04	PART NO. xxx-xxx	JOB NO. XXXXXXXX	REV: 1
-------------------	---------------------	---------------------	-----------

FILE LOCATION: C:\Cad Drawings\Solid Works\

1 OF 1

ITEM NO.	QTY.	PART NO.	DESCRIPTION
1	2	200-402	3/8" GUIDE ROD - 30 1/2"
2	1	807-001	1" x 2 1/4" F.S. - 4"
3	3	300-413	2" x 4" F.S. - 2 9/16"
4	4	852-607	3/8" SHAFT COLLAR
5	2	858-251	1/2" RUBBER BUMPER
6	1	852-008	SELECTOR PIN w/ 4" CORD
7	1	101-053	MINI WEIGHT STACK CENTER STICK
8	1	818-899	3/8" EYE BOLT - 2 1/2"



This document contains information proprietary to Magnum Fitness Systems. It is submitted in confidence and is to be used solely for the purpose for which it is furnished. This document and such information is not to be reproduced, transmitted, or used in whole or part without written authorization.

TOLERANCES: + 0.000"
- 1/16"

UNLESS OTHERWISE SPECIFIED
DIMENSIONS ARE IN INCHES.

DRAWN BY:
RAD

MAGNUM FITNESS SYSTEMS

2201 12th. Avenue
S. Milwaukee, WI, 53172

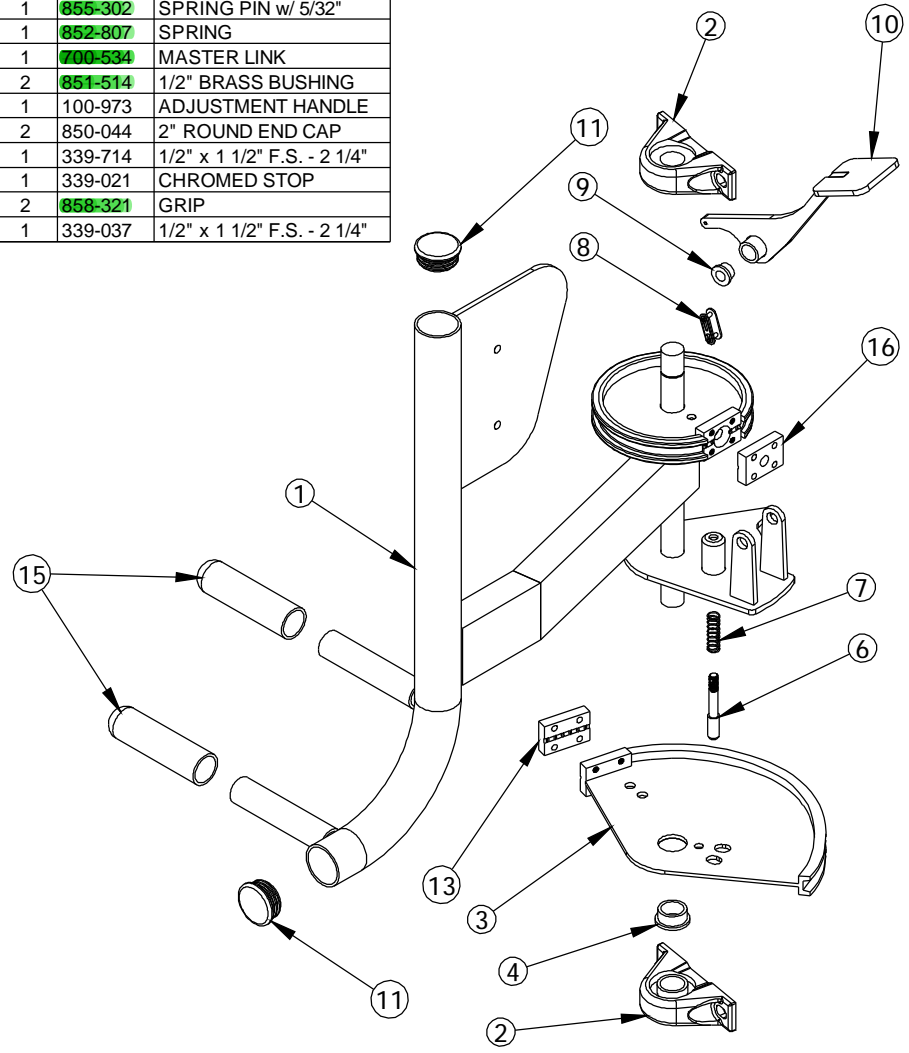
TITLE: 2005 MINI STACK

DATE: 07/01/04	PART NO. xxx-xxx	JOB NO. XXXXXXXX	REV: 1
-------------------	---------------------	---------------------	-----------

FILE LOCATION: C:\Cad Drawings\Solid Works\

1 OF 1

ITEM NO.	QTY.	PART NO.	DESCRIPTION
1	1	100-947	ARM SUB-ASSEMBLY
2	2	851-317	1" PILLOW BLOCK
3	1	100-983	2005 CAM ASSEMBLY
4	1	851-518	1 1/4" BRASS BUSHING
6	1	855-302	SPRING PIN w/ 5/32"
7	1	852-807	SPRING
8	1	700-534	MASTER LINK
9	2	851-514	1/2" BRASS BUSHING
10	1	100-973	ADJUSTMENT HANDLE
11	2	850-044	2" ROUND END CAP
13	1	339-714	1/2" x 1 1/2" F.S. - 2 1/4"
14	1	339-021	CHROMED STOP
15	2	858-321	GRIP
16	1	339-037	1/2" x 1 1/2" F.S. - 2 1/4"



This document contains information proprietary to Magnum Fitness Systems. It is submitted in confidence and is to be used solely for the purpose for which it is furnished. This document and such information is not to be reproduced, transmitted, or used in whole or part without written authorization.

TOLERANCES: + 0.000"
- 1/16"

UNLESS OTHERWISE SPECIFIED
DIMENSIONS ARE IN INCHES.

DRAWN BY:
RAD

MAGNUM FITNESS SYSTEMS
2201 12th. Avenue
S. Milwaukee, WI, 53172

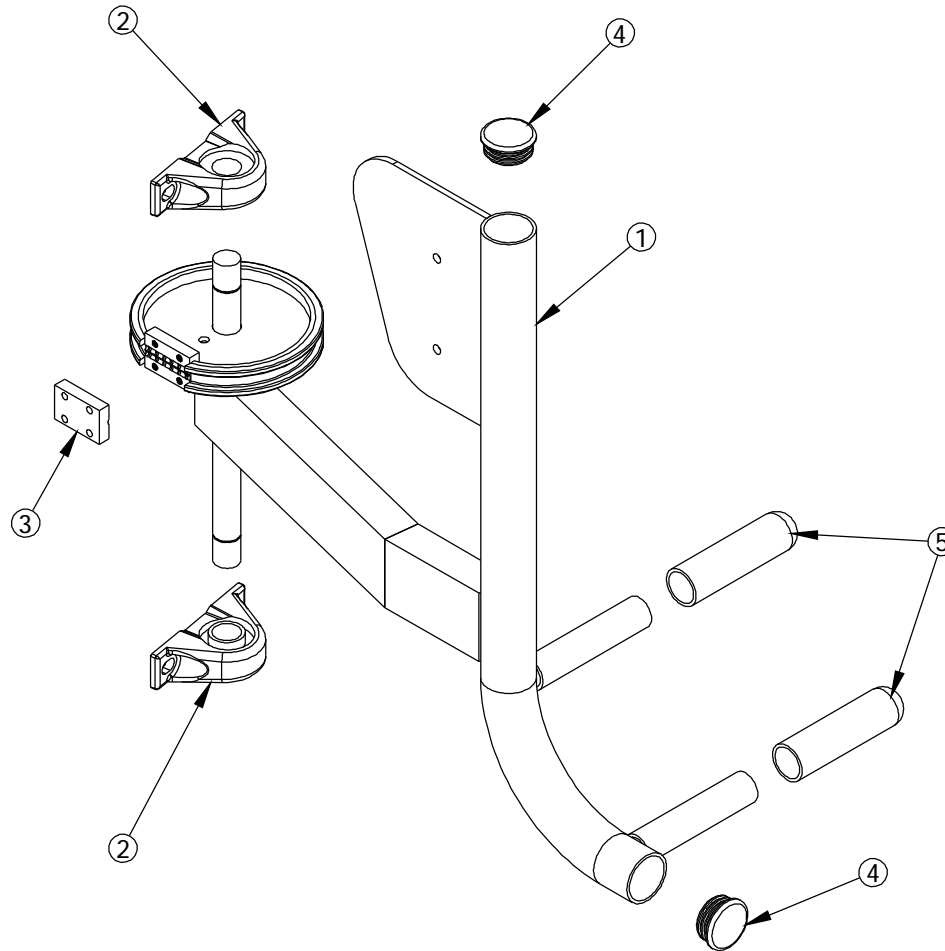
TITLE: 2005 ARM (LEFT)

DATE: 07/02/04	PART NO. xxx-xxx	JOB NO. XXXXXXXX	REV: 1
-------------------	---------------------	---------------------	-----------

FILE LOCATION: C:\Cad Drawings\Solid Works\

1 OF 1

ITEM NO.	QTY.	PART NO.	DESCRIPTION
1	1	100-948	ARM SUB-ASSEMBLY
2	2	851-317	1" PILLOW BLOCK
3	1	339-714	1/2" x 1 1/2" F.S. - 2 1/4"
4	2	850-044	2" ROUND END CAP
5	2	858-321	GRIP



This document contains information proprietary to Magnum Fitness Systems. It is submitted in confidence and is to be used solely for the purpose for which it is furnished. This document and such information is not to be reproduced, transmitted, or used in whole or part without written authorization.

TOLERANCES: + 0.000"
- 1/16"

UNLESS OTHERWISE SPECIFIED
DIMENSIONS ARE IN INCHES.

DRAWN BY:
RAD

MAGNUM FITNESS SYSTEMS

2201 12th. Avenue
S. Milwaukee, WI, 53172

TITLE: 2005 ARM (RIGHT)

DATE:
07/02/04

PART NO.
xxx-xxx

JOB NO.
XXXXXXXX

REV:
1

FILE LOCATION: C:\Cad Drawings\Solid Works\

1 OF 1