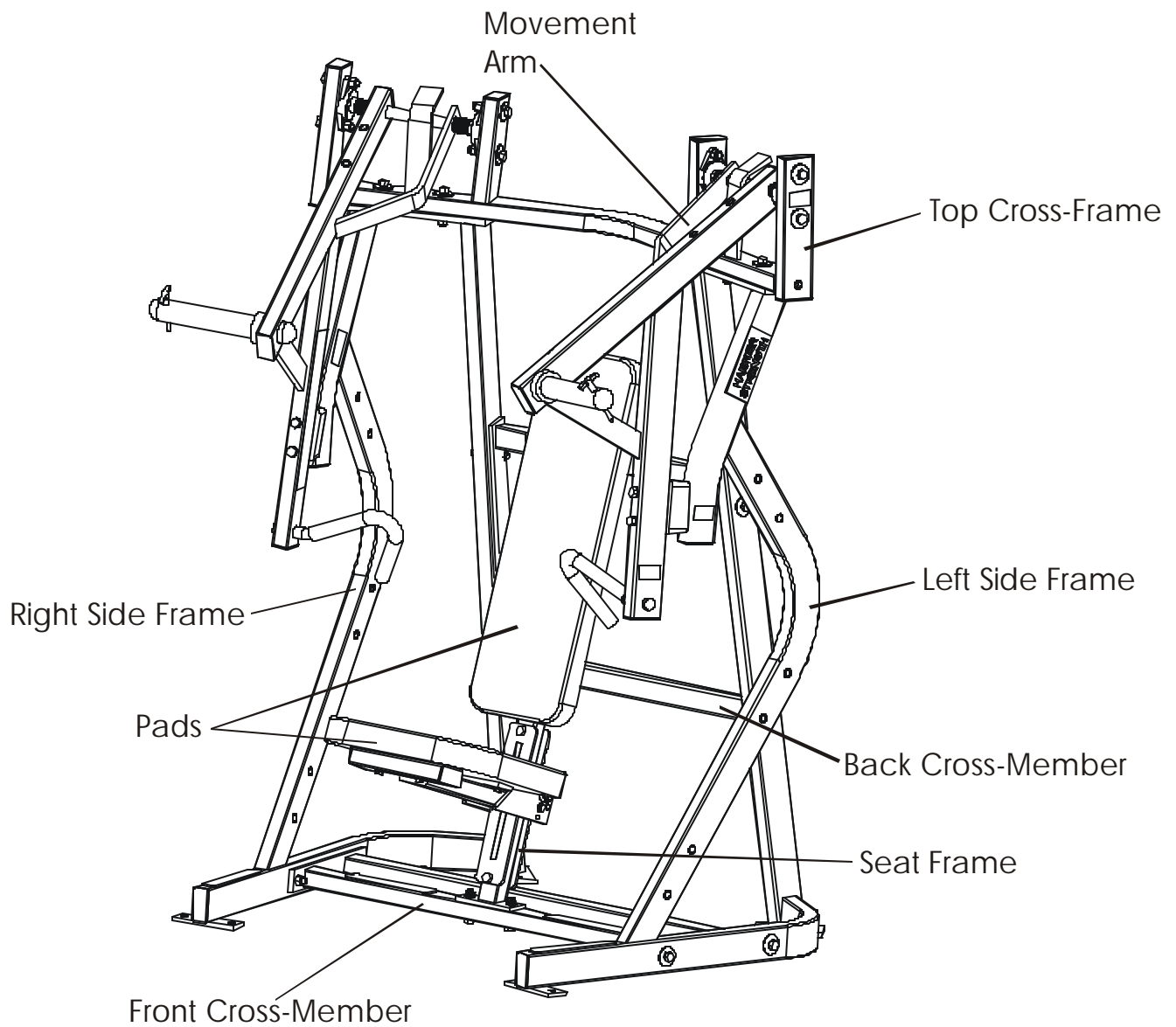


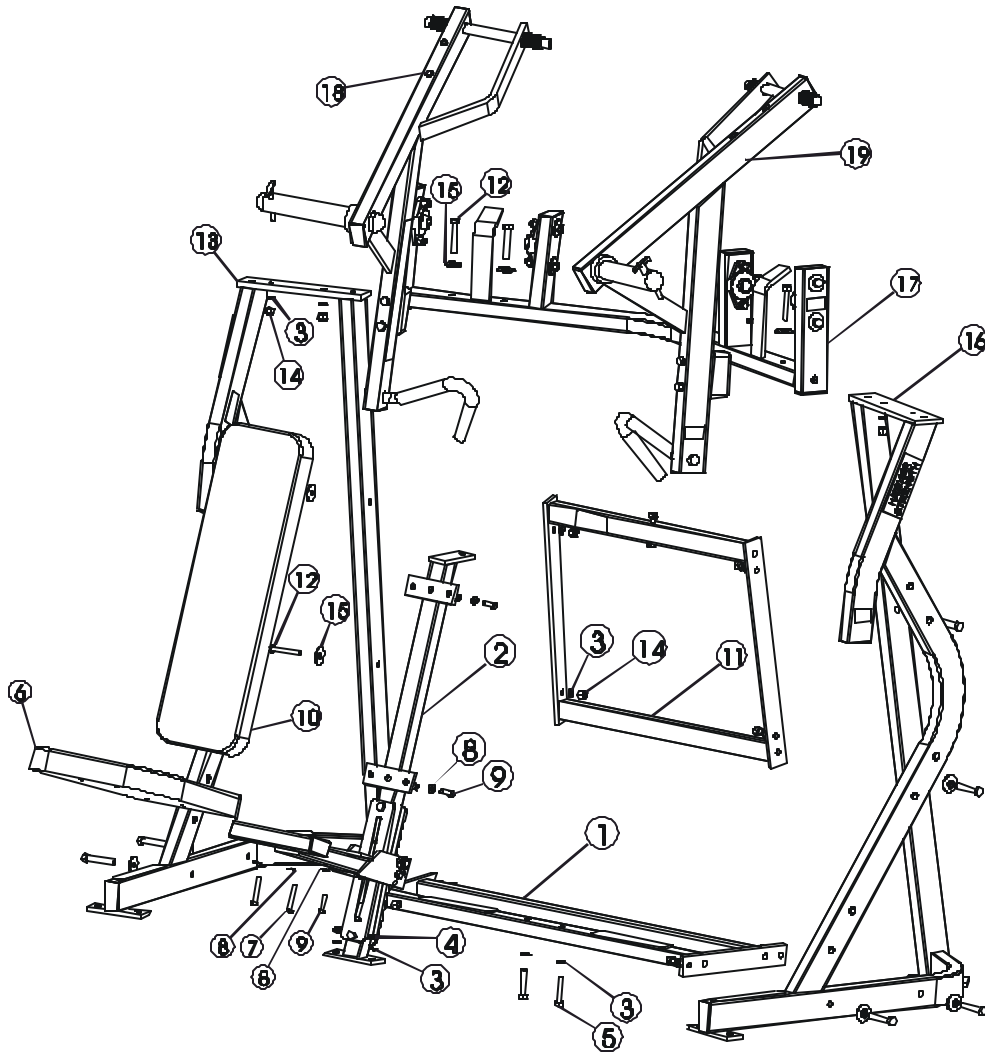
HAMMER STRENGTH EQUIPMENT

ILBP-H ISO-Lateral Bench Press w/Horizontal Handles



HAMMER STRENGTH EQUIPMENT

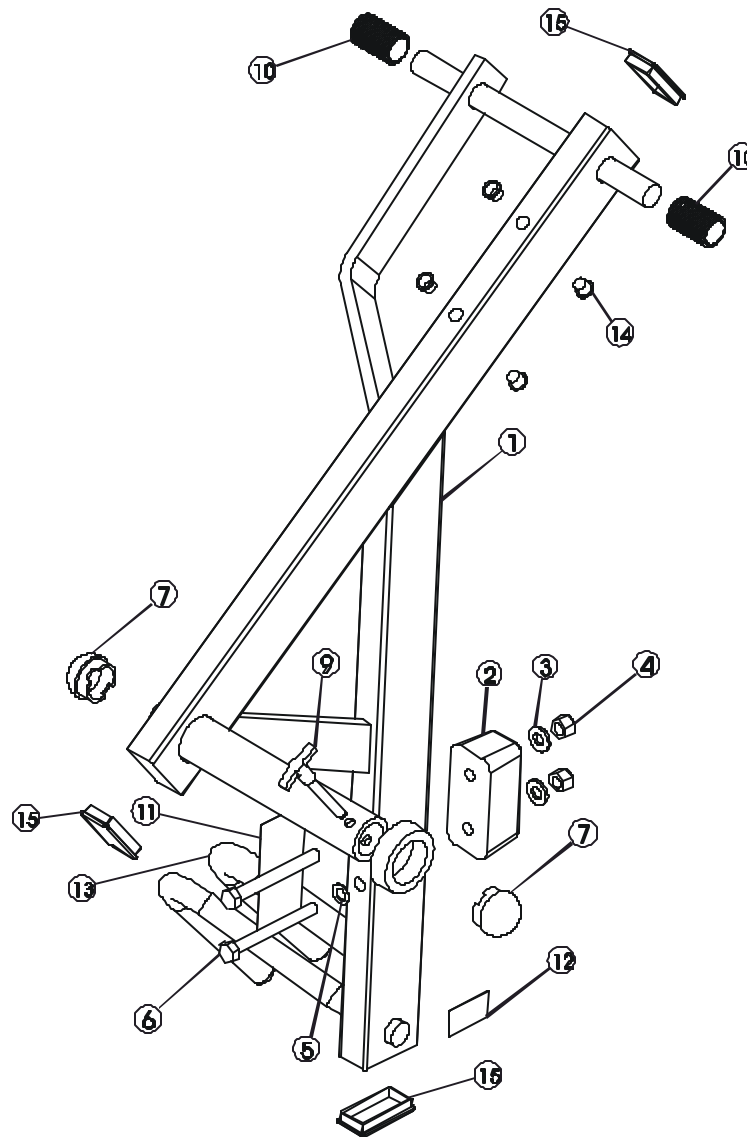
ILBP-H Exploded Assembly



ITEM NO.	QTY.	PART NO.	DESCRIPTION
1	1	ILBP-CFX-0	ASSM FRONT CROSSMEMBER
2	1	ILBP-CST-0	ASSM SEAT FRAME
3	18	WASH.5STAR	1/2" Internal Lock Washer
4	3	NUT.5JAMFINE	1/2" Jam Nut Fine
5	2	HHB.5X2.5	1/2 X 2 1/2 Bolt
6	1	U16-11	Standard 16" Pad
7	2	HHB.375X2.5	3/8 X 2 1/2 Bolt
8	8	WASH.375SAE	3/8" SAE Flat Washer
9	6	HHB.375X1.5	3/8 X 1 1/2 Bolt
10	1	U33-19	Standard 33" Pad
11	1	ILBP-CBX-0	ASSM BACK CROSSMEMBER
12	13	HHB.5X3	1/2 X 3 Bolt
13	1	ILBP-CSFR-0	ASSM RIGHT SIDE FRAME
14	12	NUT.5LOCK	1/2" Thick Lock Nut
15	12	H-BACK-WASH	Backing Washer
16	1	ILBP-CSFL-0	ASSM LEFT SIDE FRAME
17	1	ILBP-CTX-0	ASSM TOP CROSSFRAME
18	1	ILBP-CMARV-0	ASSM RIGHT MOVEMENT ARM
19	1	ILBP-CMALV-0	ASSM MOVEMENT ARM LEFT

HAMMER STRENGTH EQUIPMENT

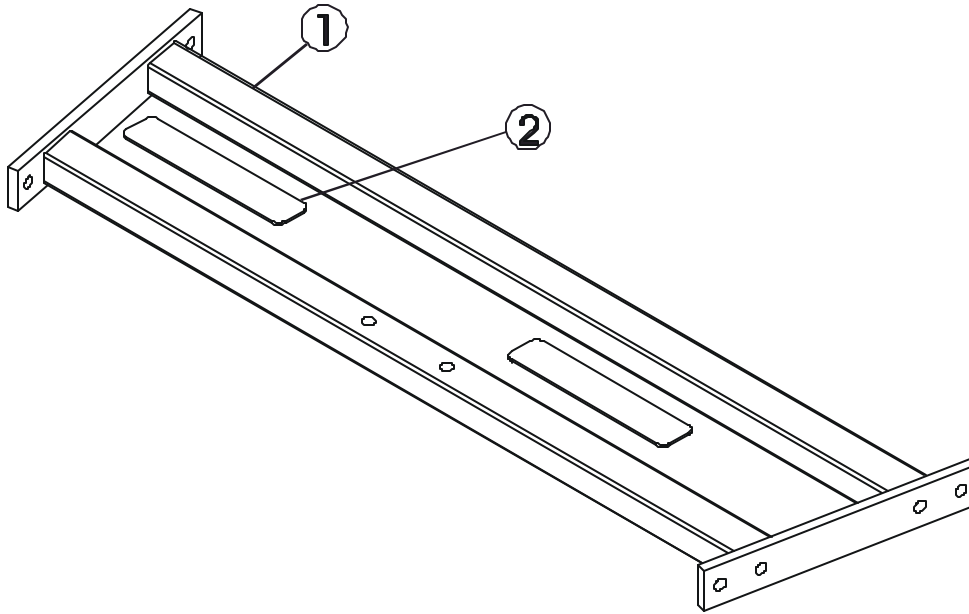
ILBP-H Movement Arm



ITEM NO.	QTY.	PART NO.	DESCRIPTION
1	1	ILBP-MALV-0	MOVEMENT ARM LEFT
2	1	H-BUMP-MED	MM2 Medium
3	2	WASH.5SAE	1/2" SAE Flat Washer
4	2	NUT.5LOCK	1/2" Thick Lock Nut
5	2	WASH.5STAR	1/2" Internal Lock Washer
6	2	HHB.5X4.5	1/2 X 4 1/2 Bolt
7	2	H-BENDCAP	Bullet Cap
8	1	H-RUBRNG	MM5 Ring
9	1	SELECTOR PIN-4	SELECTOR PIN 4 INCH
10	2	ACCORDIAN	Shaft Guard
11	1	WARNING LARGE-V	Large Warning Vert.
12	1	STAY CLEAR	Stay Clear Decal
13	1	H-GRIP(ILBP-V-D00)	HandGrip
14	4	H-PLUG(REG)	9/16" Hole Plug
15	3	H-PEND3	1 1/2 X 3 End Cap

HAMMER STRENGTH EQUIPMENT

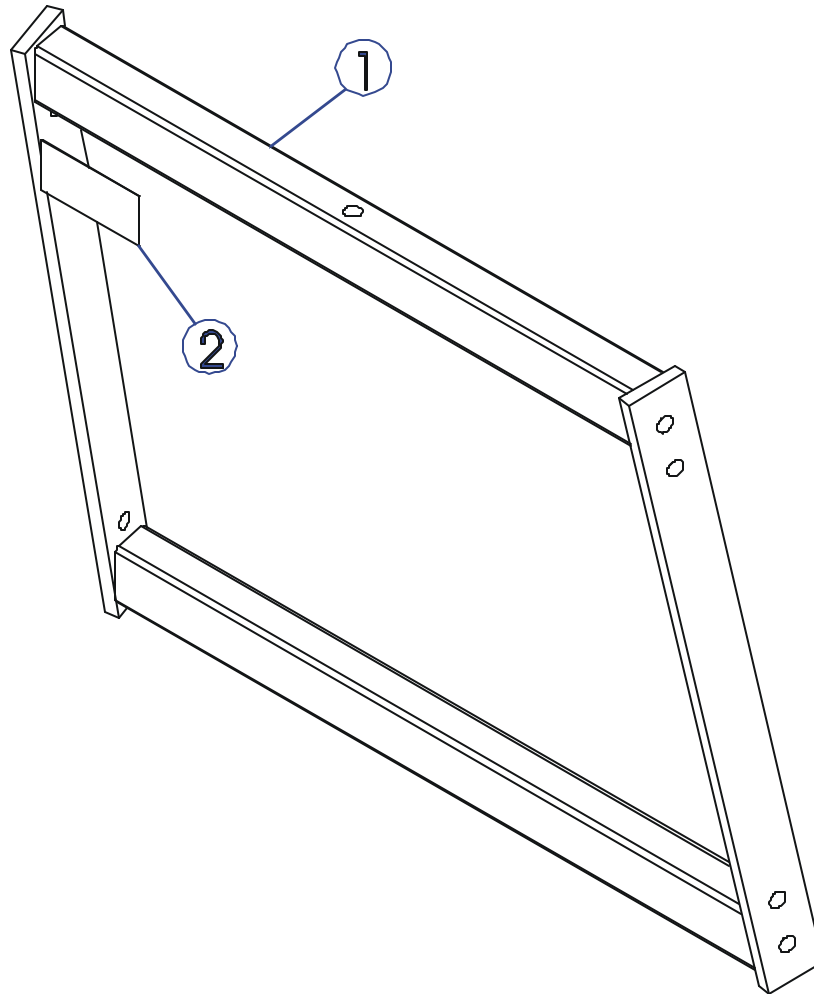
ILBP-H Front Cross-Member



ITEM NO.	QTY.	PART NO.	DESCRIPTION
1	1	ILBP-FX-0	FRONT CROSSMEMBER
2	2	H-NONSKID2	1 3/4 X 9 Nonskid

HAMMER STRENGTH EQUIPMENT

ILBP-H Back Cross-Member



ITEM NO.	QTY.	PART NO.	DESCRIPTION
1	1	ILBP-BX-0	BACK CROSS MEMBER
2	1	WARNING SMALL-H	Small Warning Hor.