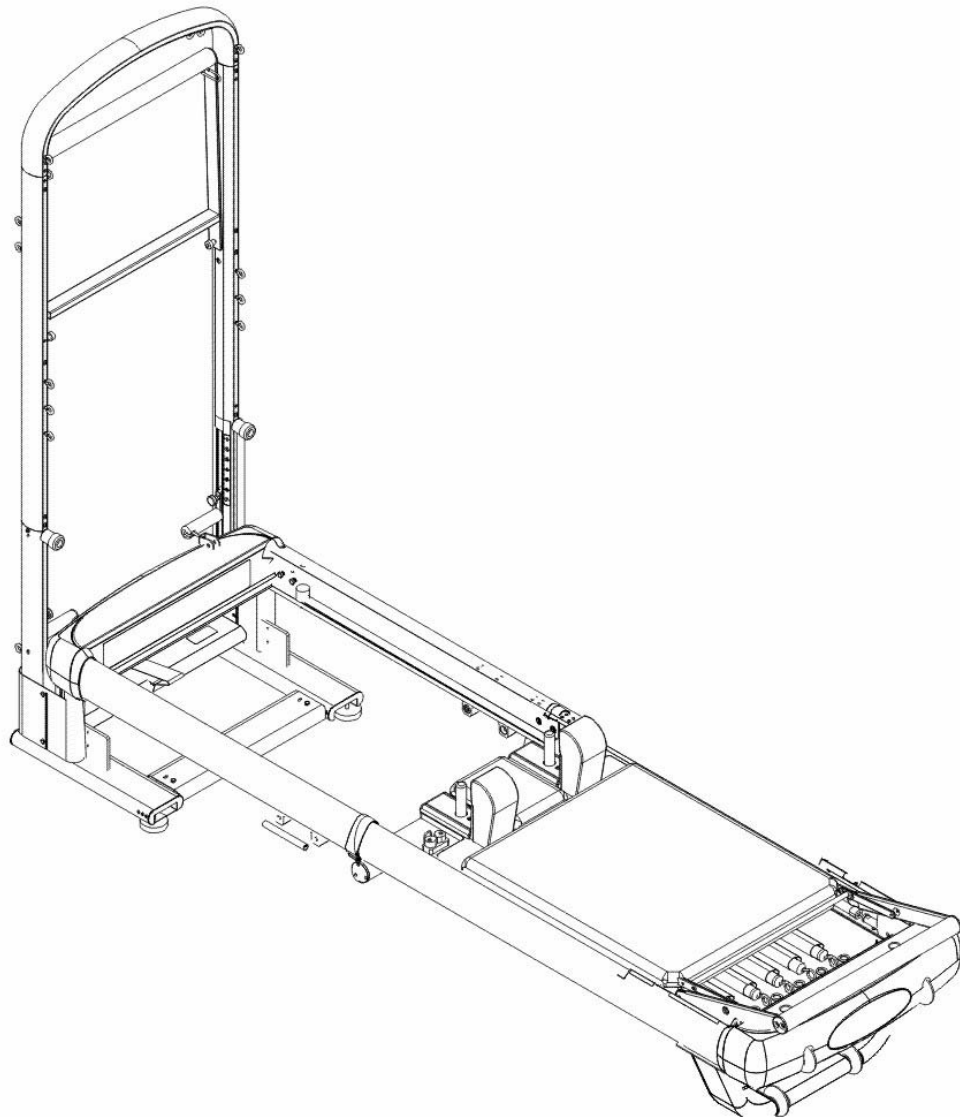


LifeFitness

PEAK PILATES
DELUXE and REFORMER MODELS



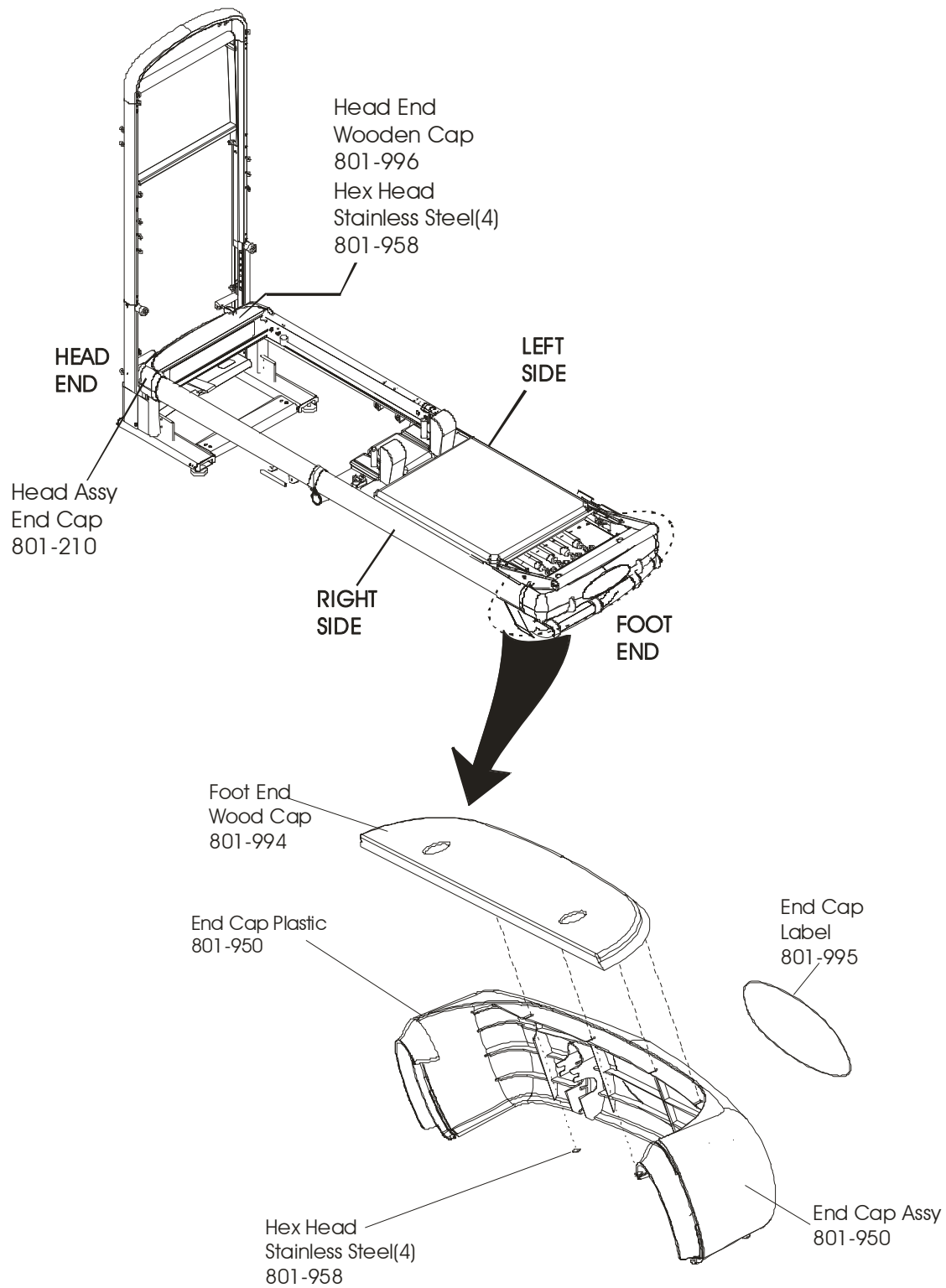
PARTS MANUAL

rev. 02 Apr 2007

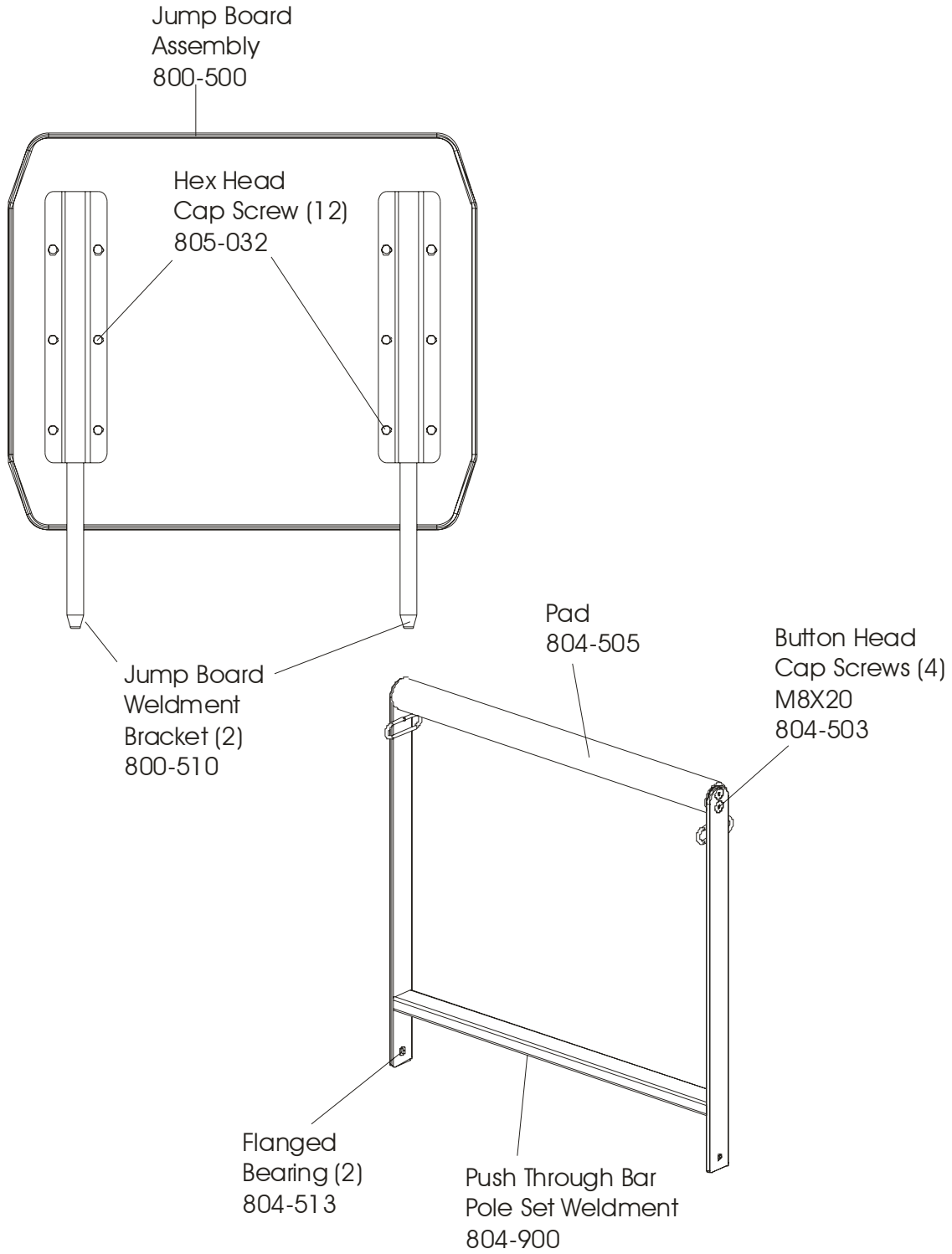
TABLE OF CONTENTS

MAIN ASSEMBLY	2
JUMP BOARD and PUSH THROUGH BAR ASSEMBLIES	3
TOWER ASSEMBLY.....	4
TOWER COMPONENTS	5
SWIVEL PULLEY ASSEMBLY	6
HEAD END ASSEMBLY COMPONENTS.....	7
HEAD END FRAME COMPONENTS.....	8
RAIL and FRONT LEG ASSEMBLIES.....	9
RAIL ASSEMBLY 2	10
RAIL ASSEMBLY 3.....	11
GEAR CHANGE BAR ASSEMBLY.....	12
HINGE RATCHET ASSEMBLY	13
FOOT BAR	14
CARRIAGE ASSEMBLY – TOP VIEW	15
CARRIAGE ASSEMBLY – BOTTOM VIEW.....	16
CARRIAGE STOPS – LEFT and RIGHT.....	17
PACKAGE CONTENTS	18

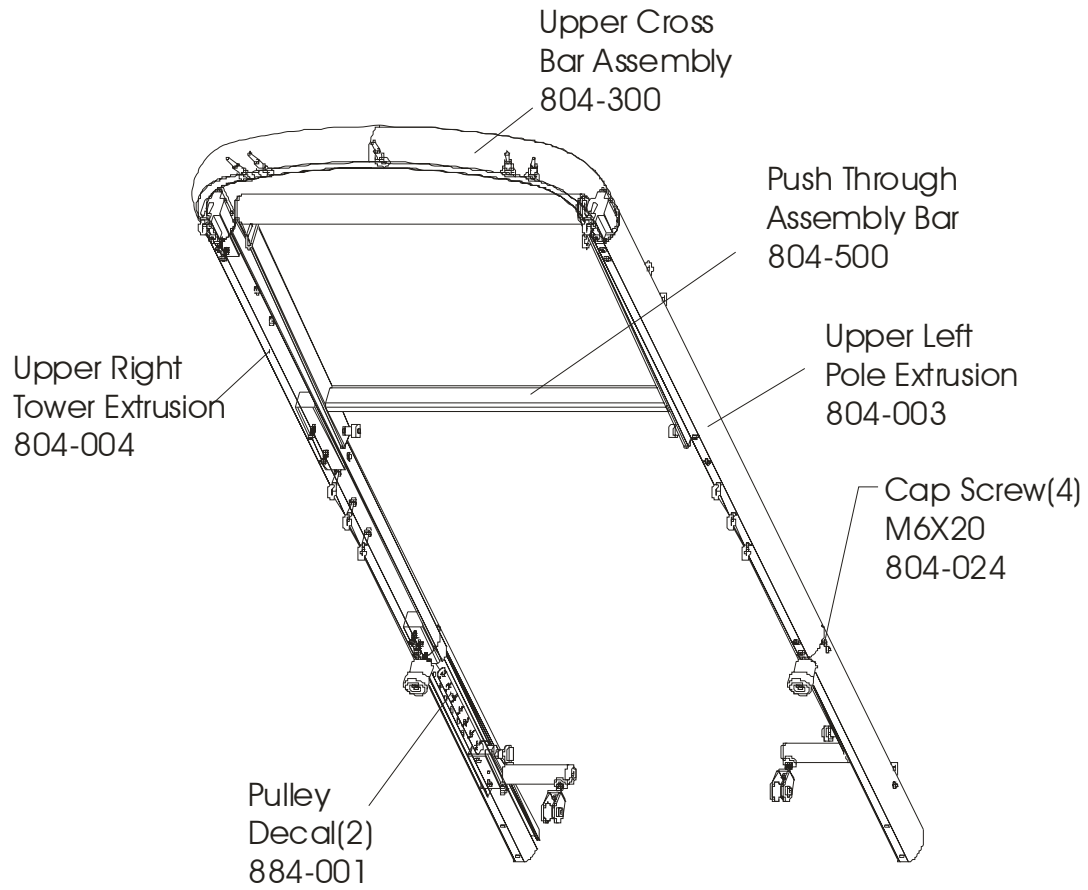
MAIN ASSEMBLY



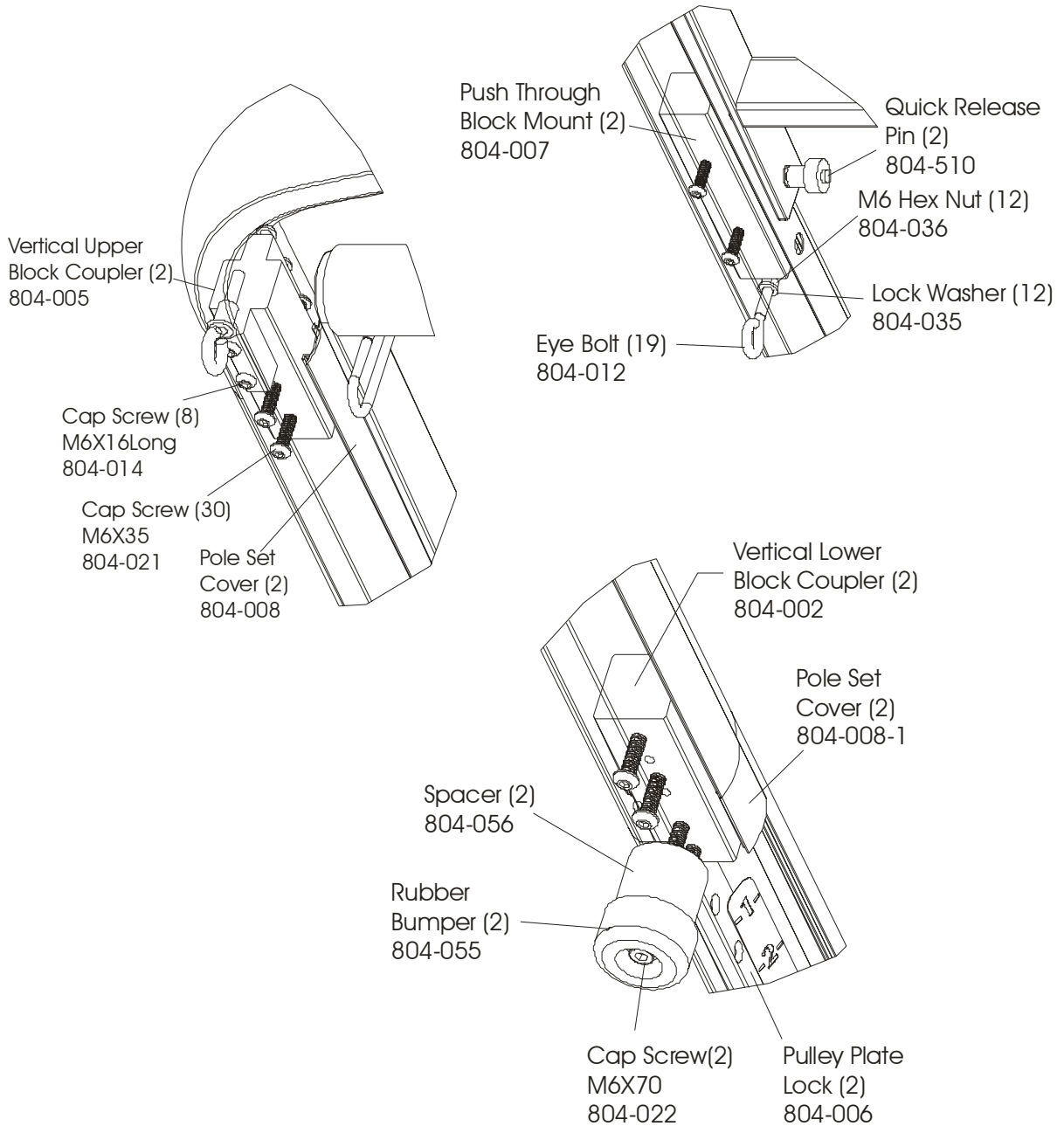
JUMP BOARD AND PUSH THROUGH BAR ASSEMBLIES



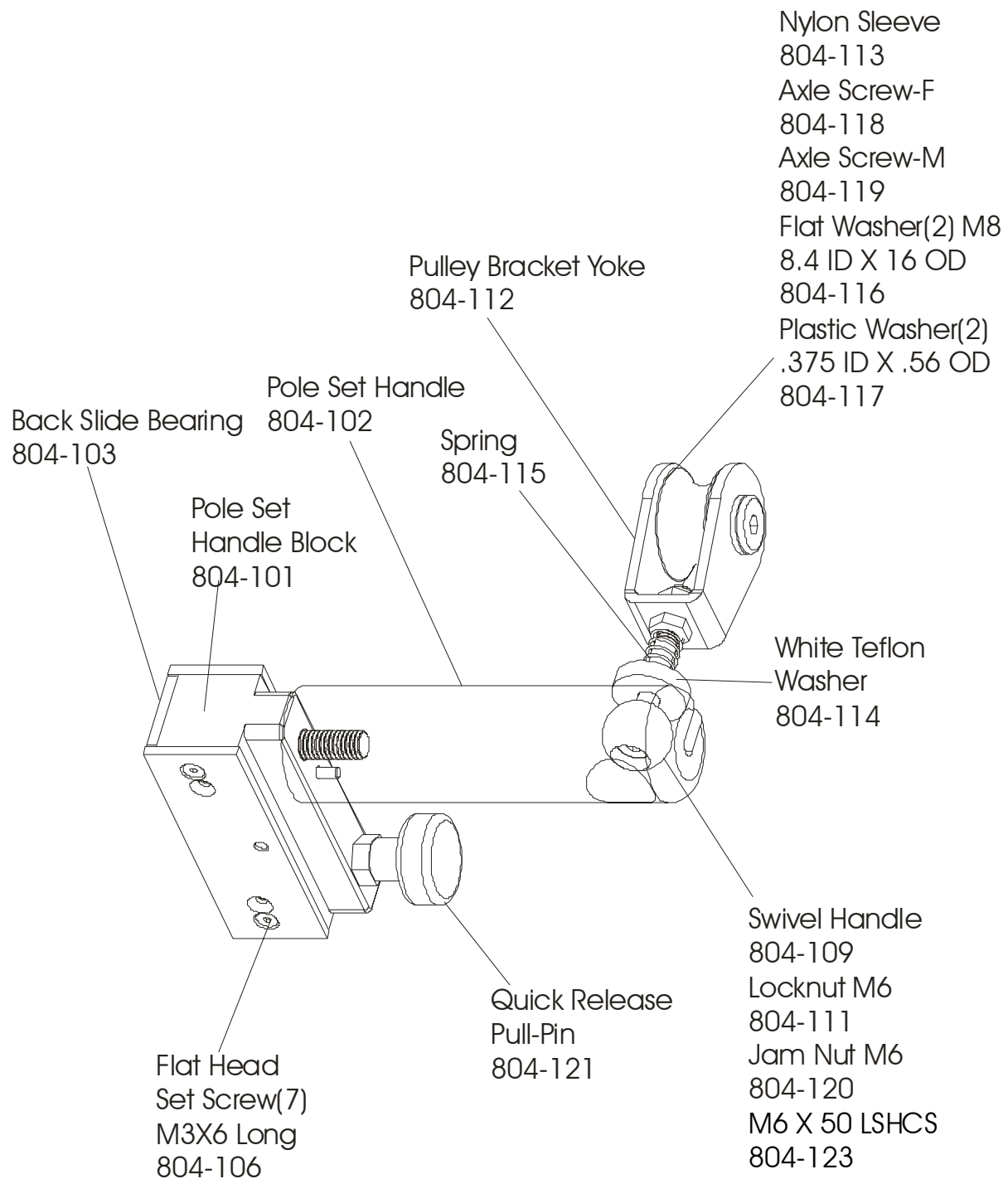
TOWER ASSEMBLY



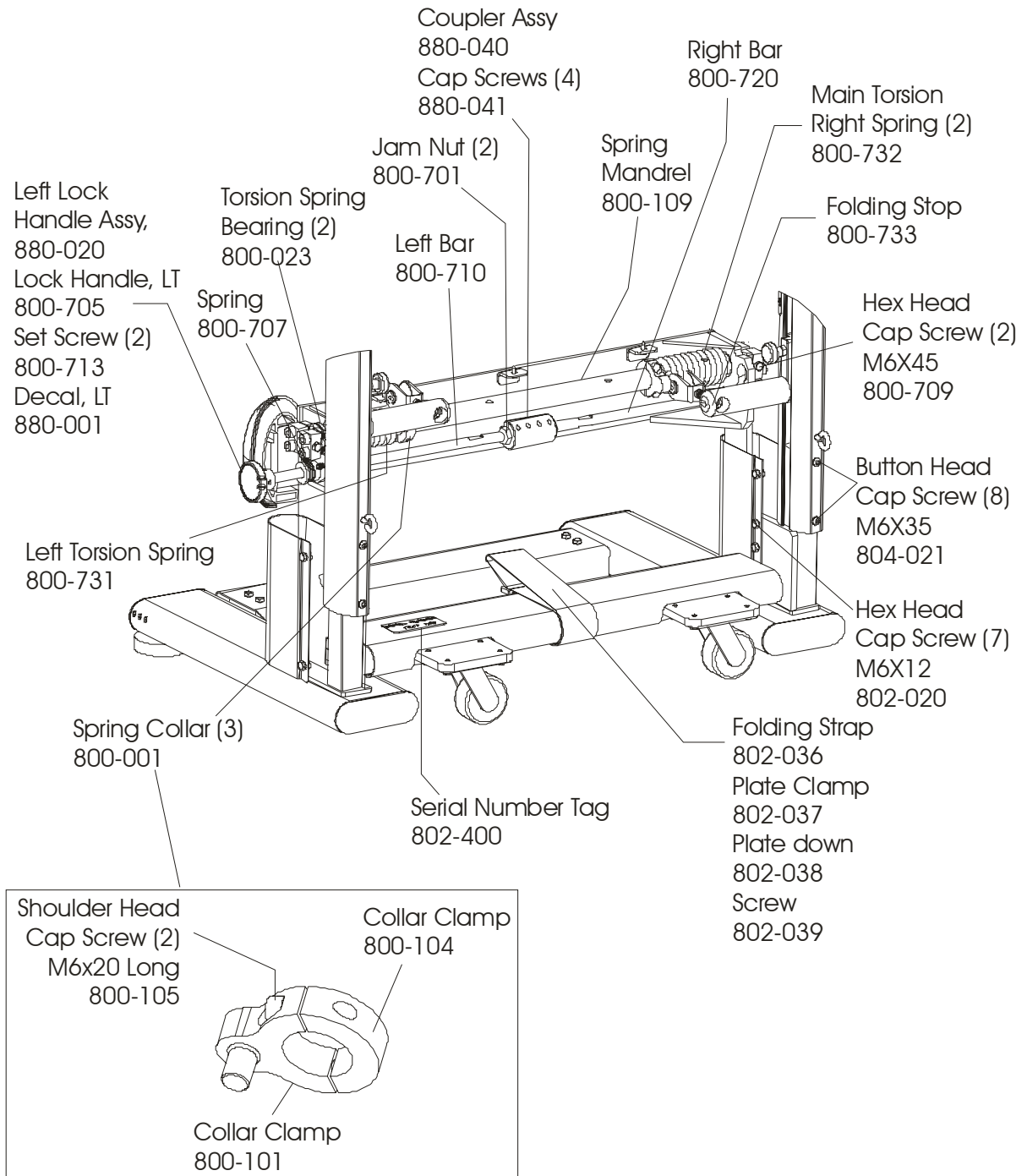
TOWER COMPONENTS



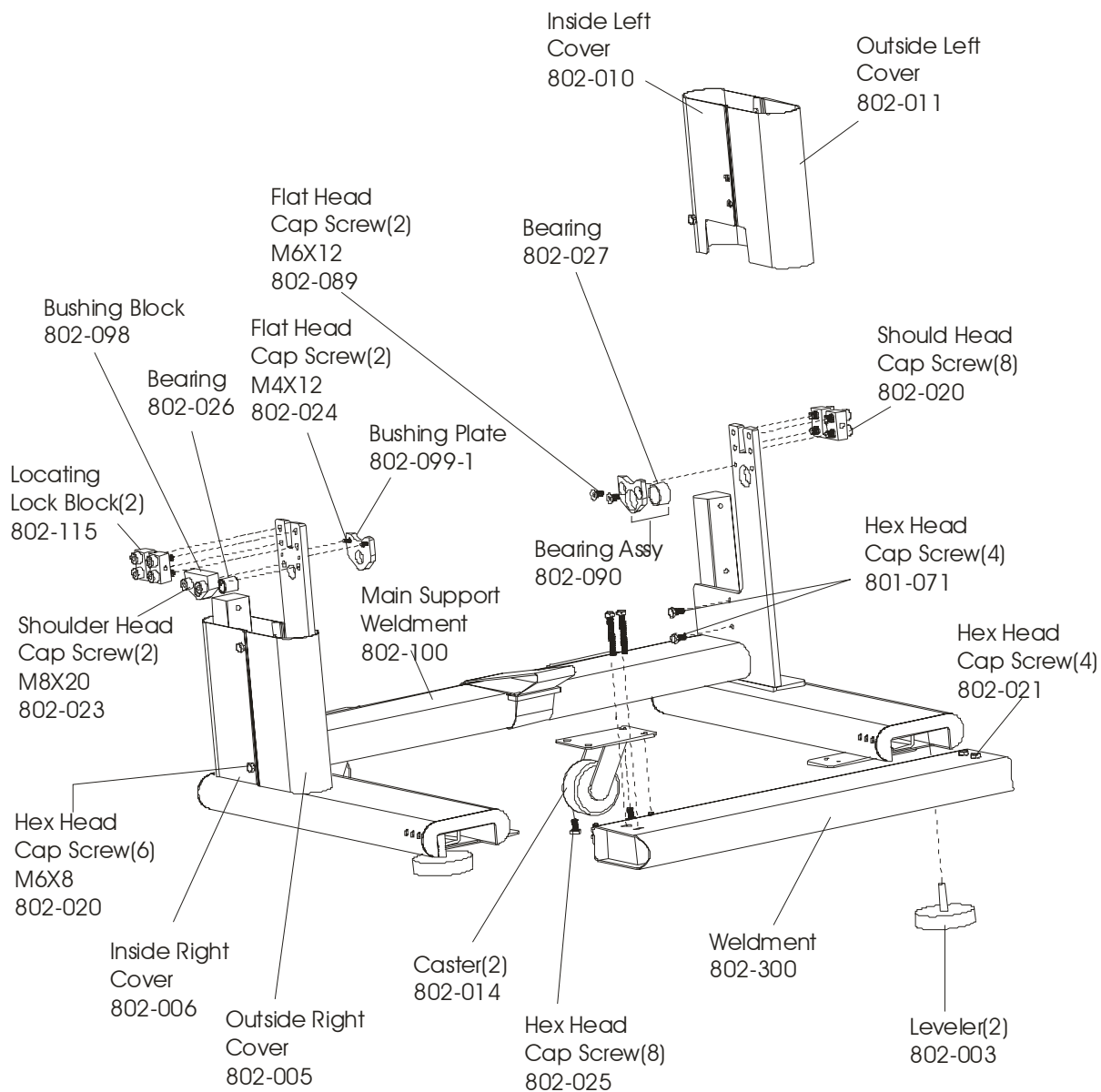
SWIVEL PULLEY ASSEMBLY



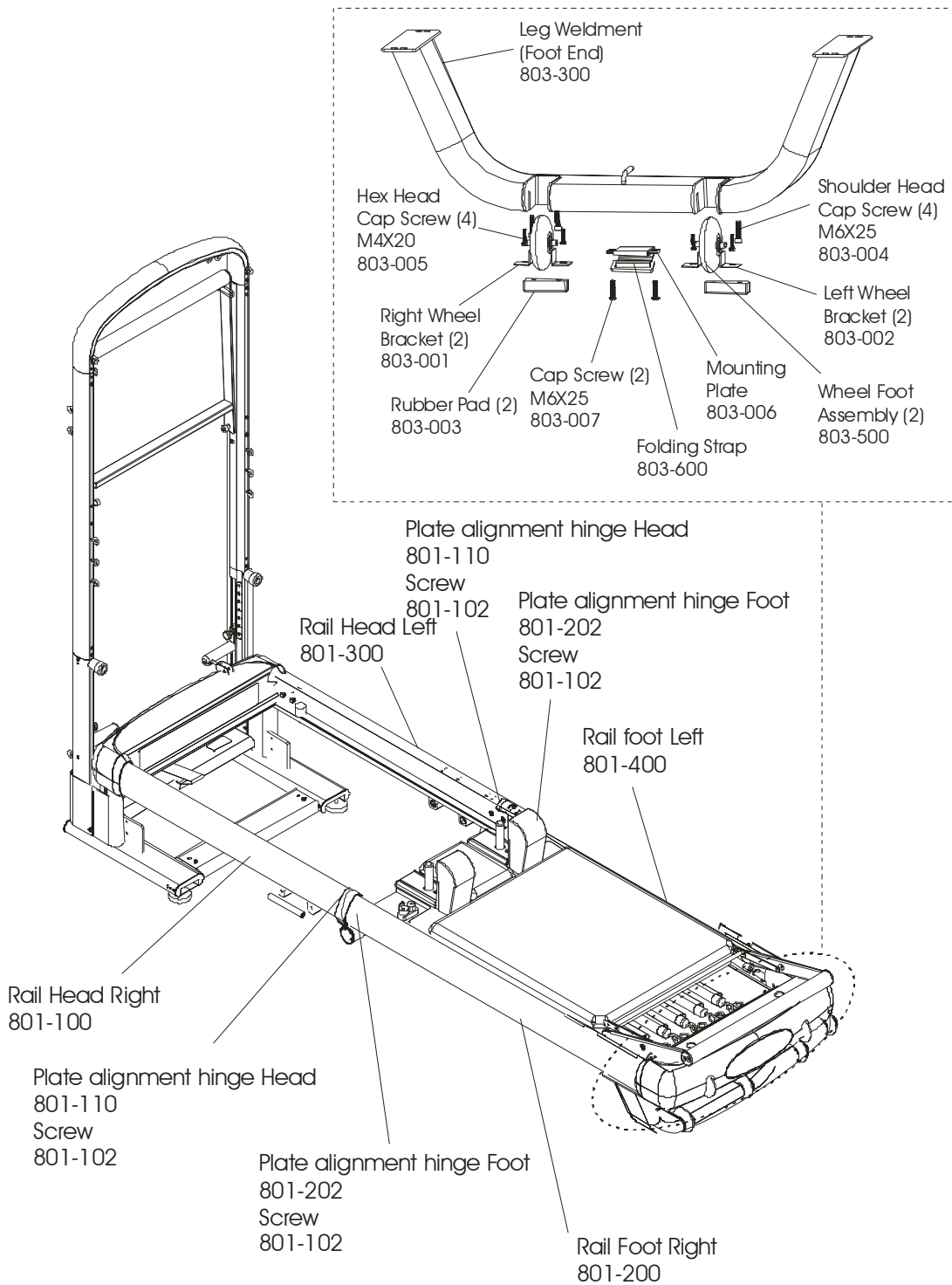
HEAD END ASSEMBLY COMPONENTS



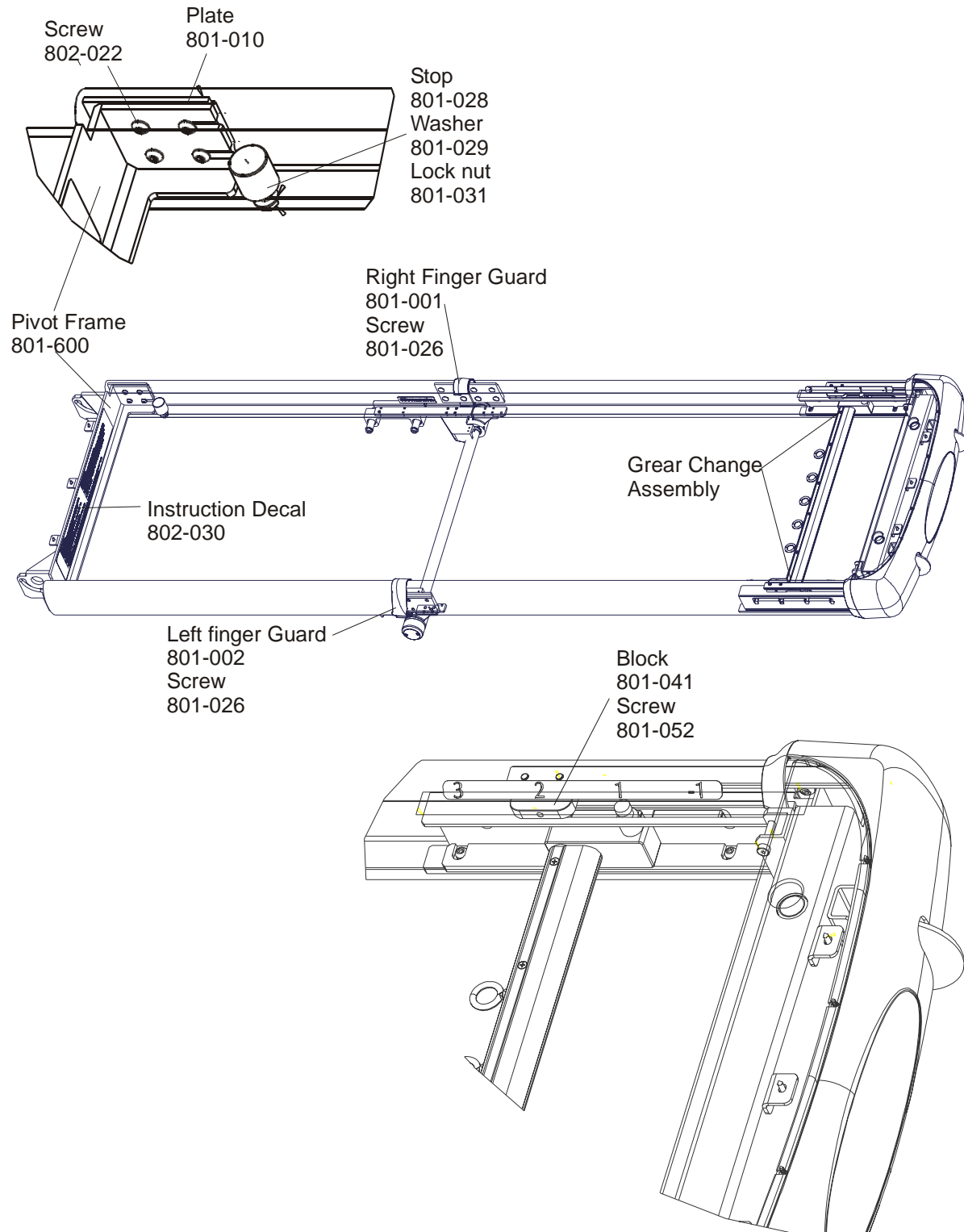
HEAD END FRAME COMPONENTS



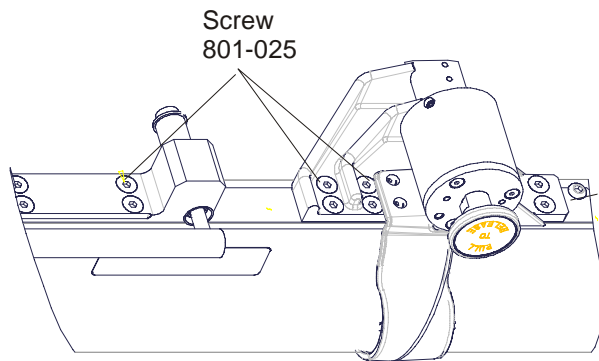
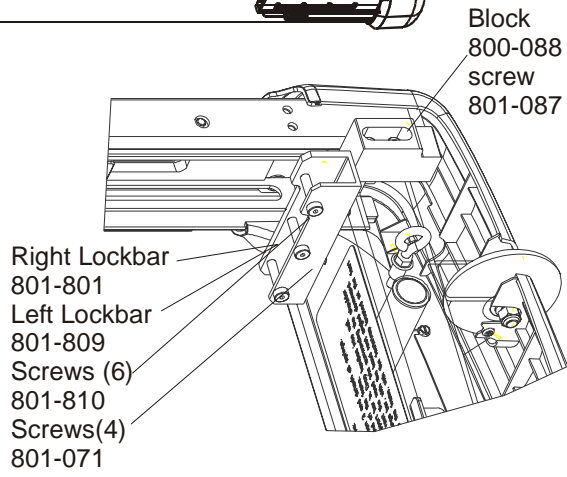
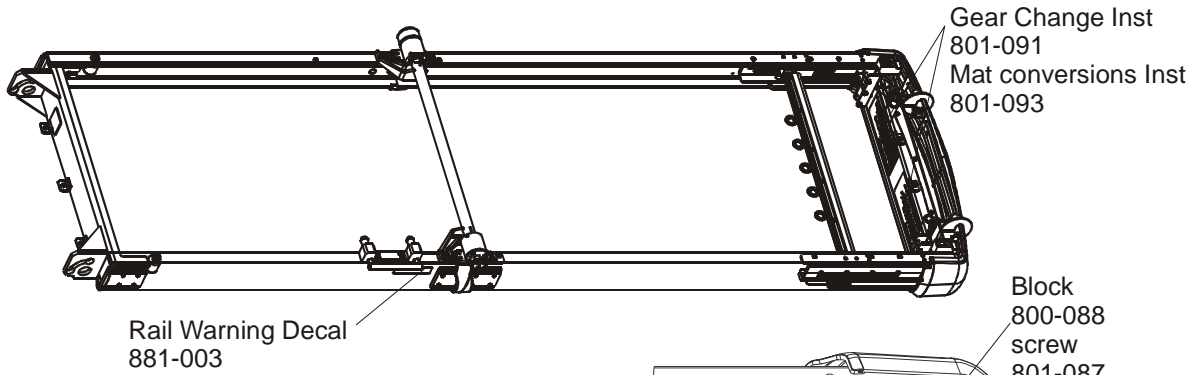
RAIL AND FRONT LEG ASSEMBLIES



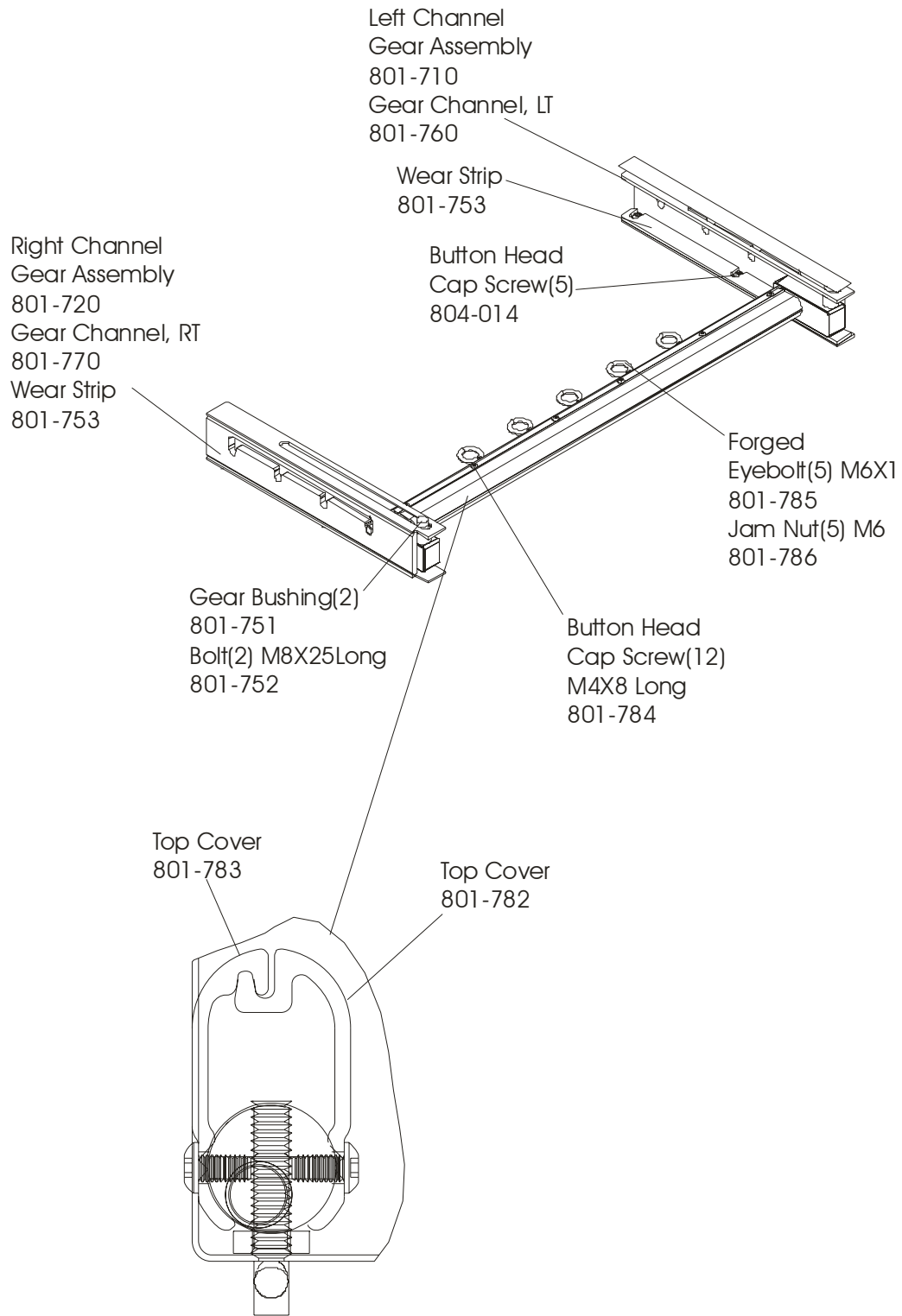
RAIL ASSEMBLY 2



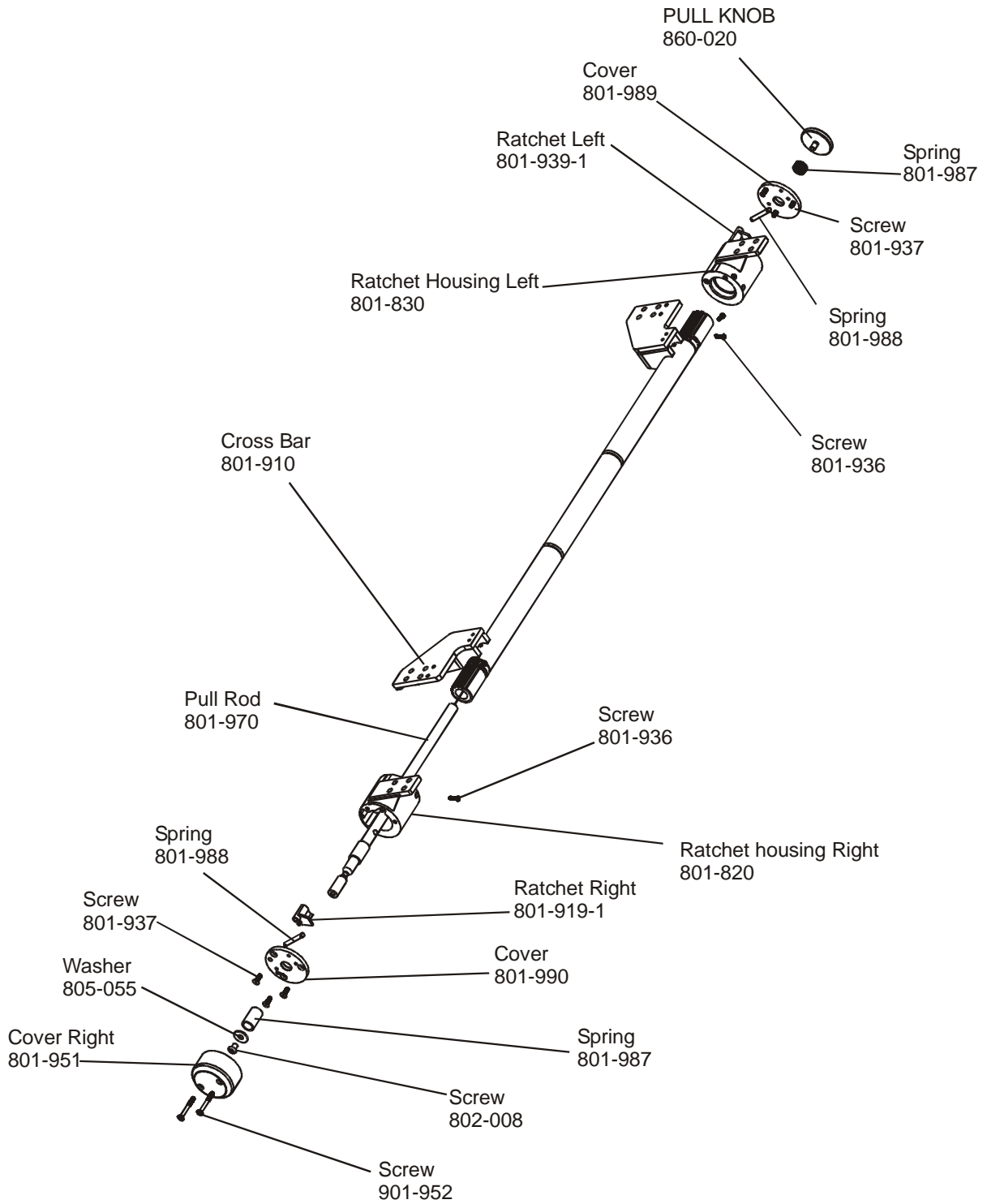
RAIL ASSEMBLY 3



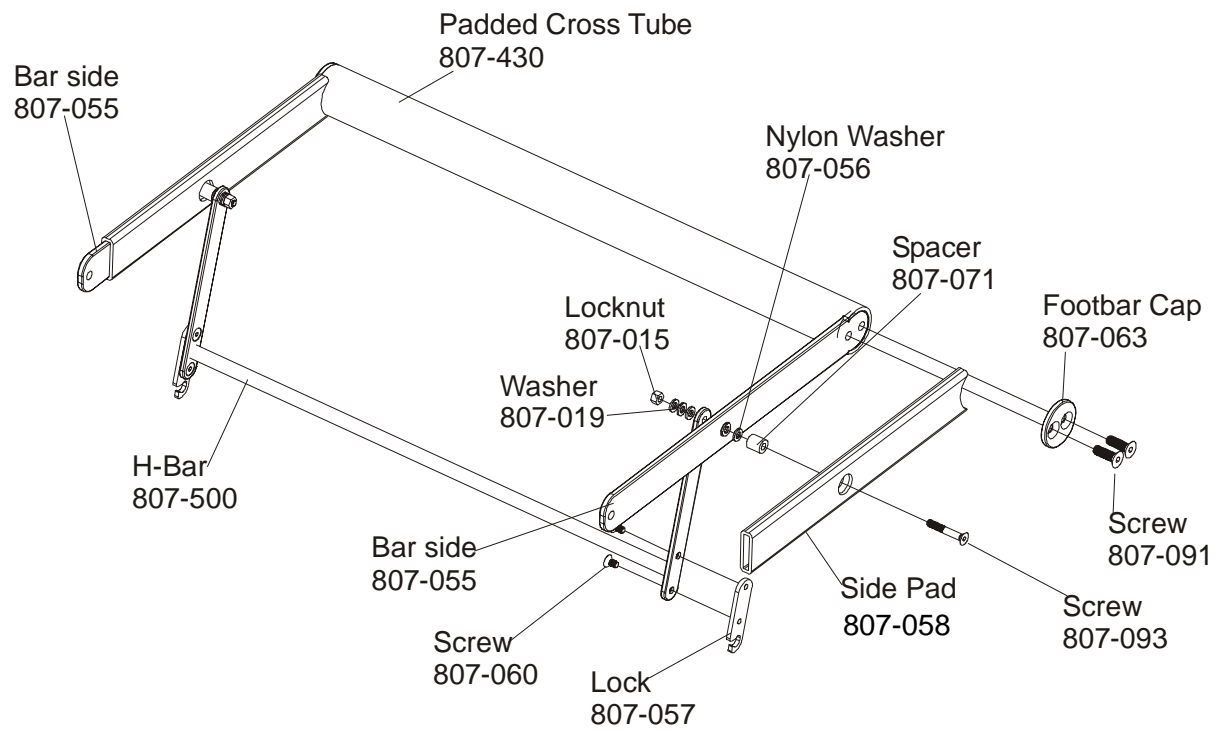
GEAR CHANGE BAR ASSEMBLY



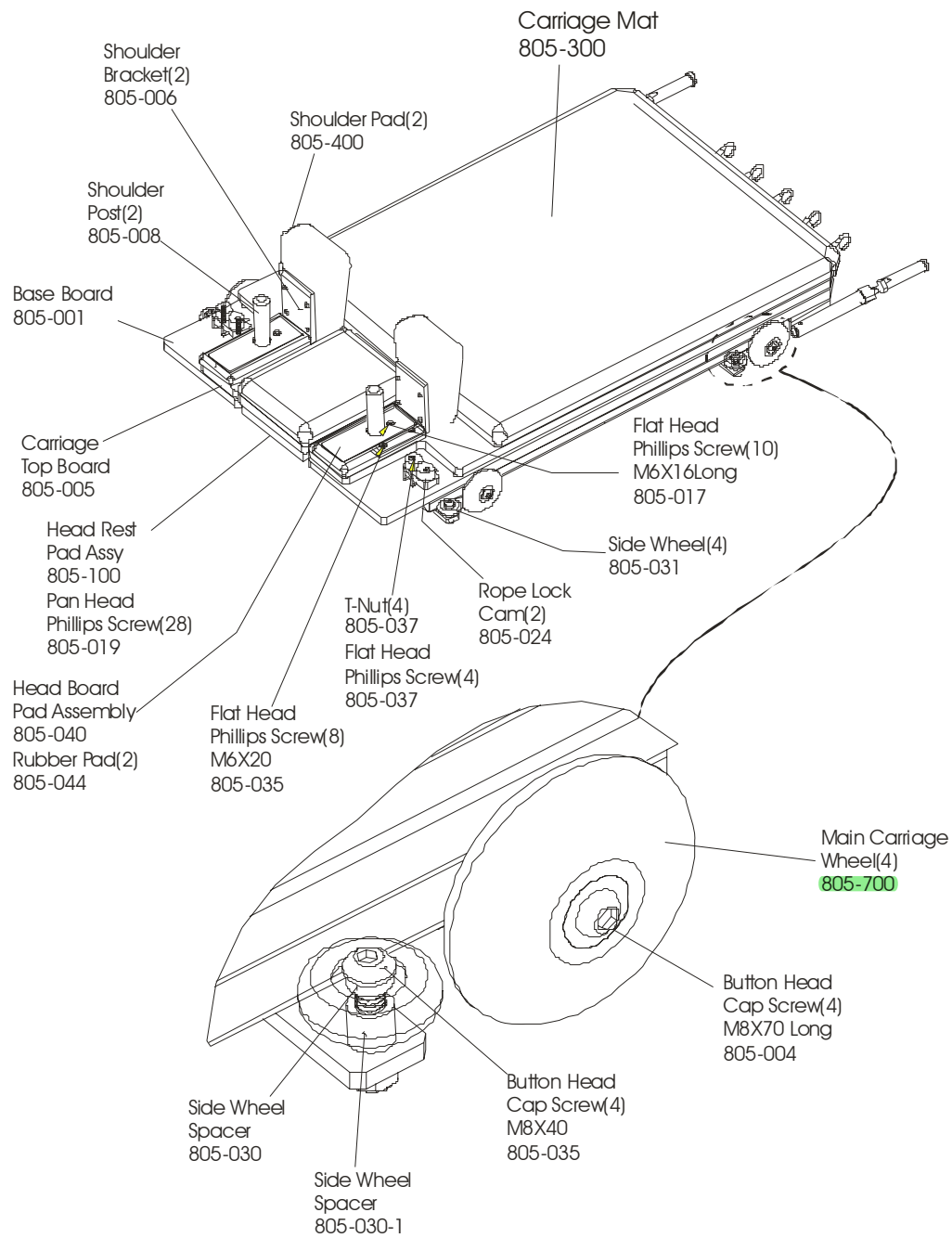
HINGE RATCHET ASSEMBLY 801-900



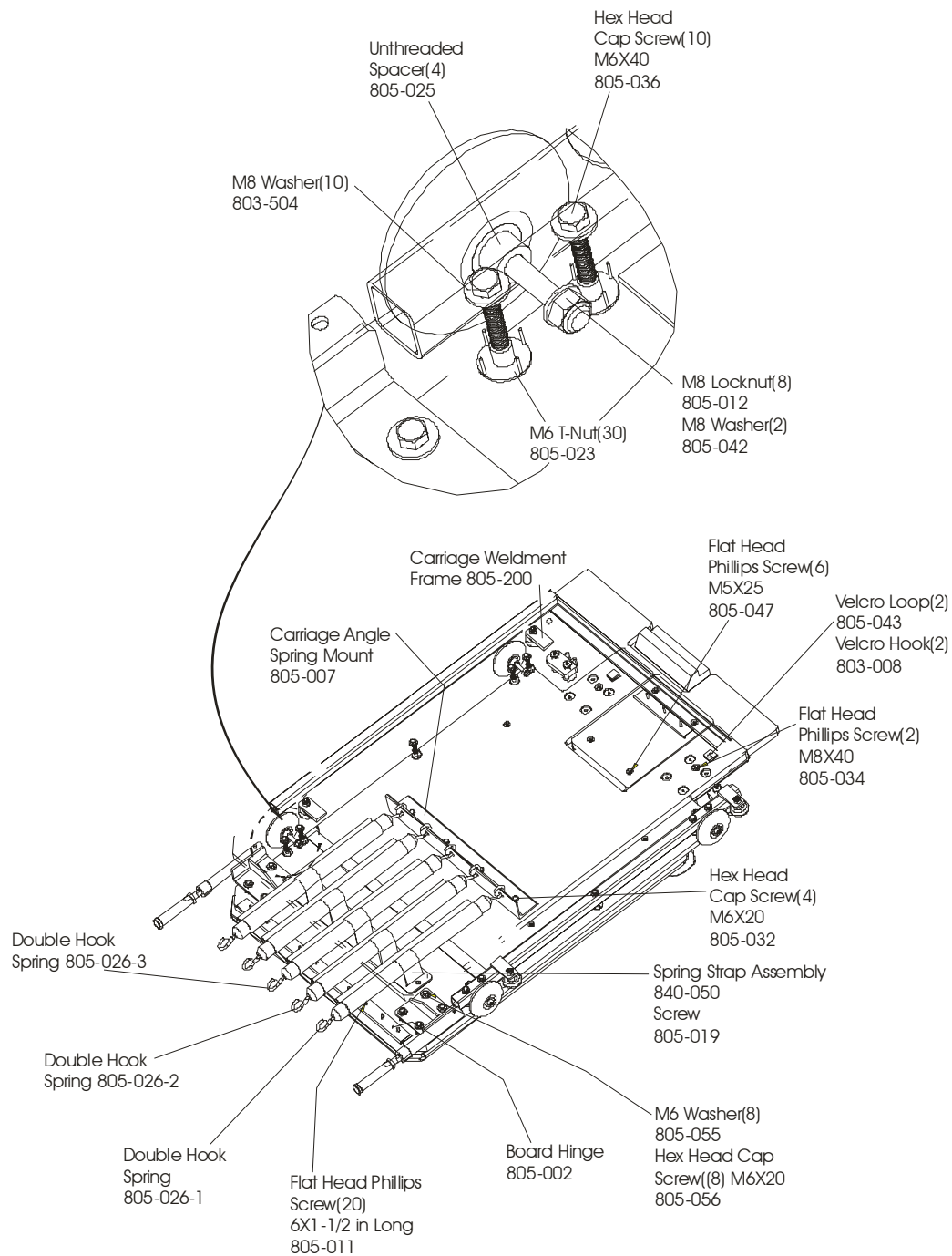
FOOT BAR



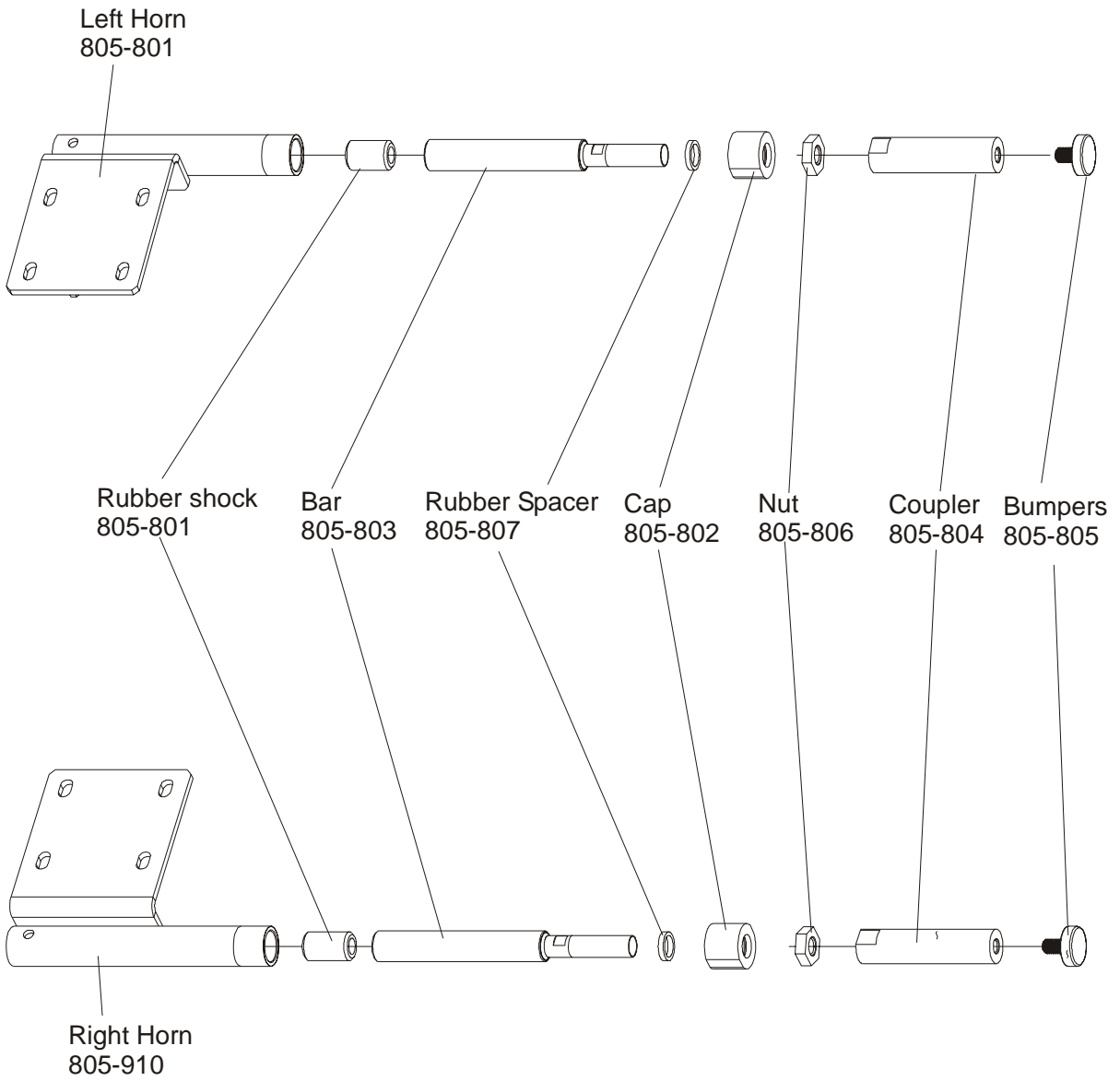
CARRIAGE ASSEMBLY - TOP VIEW



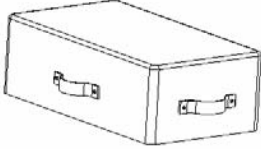



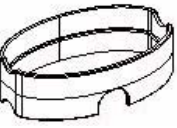
CARRIAGE ASSEMBLY - BOTTOM VIEW











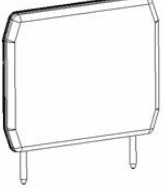
CARRIAGE STOPS - LEFT AND RIGHT



PACKAGE CONTENTS

	Description	Part Number
	Long/Short Box	810-000
	Non-Slip Pad	830-007
	Mat Set (2 mats)	806-000
	Riser Cap	804-300
	Screw - M6 x 35 mm	804-021
	Plastic Trim	804-041
	Neoprene Handle	830-200
	Double Loop	830-120

PACKAGE CONTENTS

	Description	Part Number
	Roll Down Bar	830-300
	Short Box Foot Strap Assembly (with 2 Safety Links)	830-400
	Leg Spring Assembly (each with 2 Double Ended Clips) (444 mm (21.4 in) long)	830-100
	Arm Spring Assembly (each with 2 Double Ended Clips) (544 mm (17.5 in) long)	830-800
	Push Through Bar Spring Assembly (with 1 Snap Clip, 1 Safety Link, and Cover)	830-700
	Safety Chain Assembly (with 2 Safety Links)	830-600
	Foot Loop	830-110
	Rope Assembly (with Double Ended Clip)	830-500
	Jump Board	800-500

