

HAMMER
STRENGTH

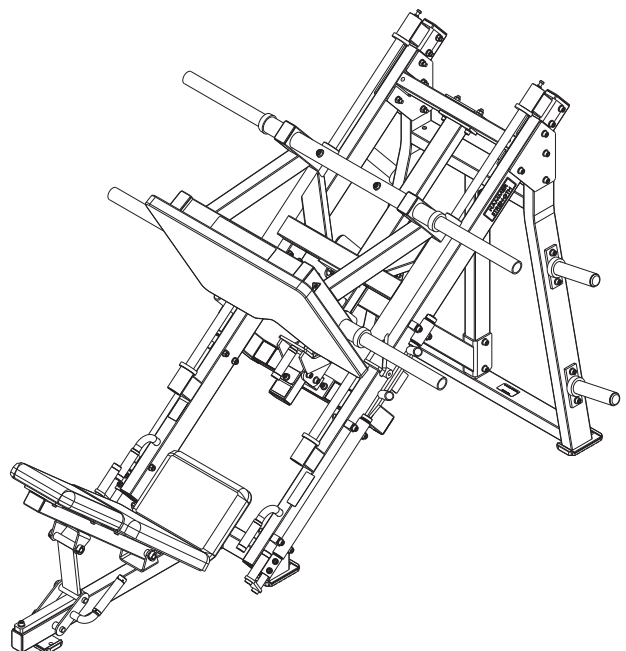
**HAMMER
STRENGTH®**

building champions

HAMMER STRENGTH HSLLP LINEAR LEG PRESS

PARTS LIST

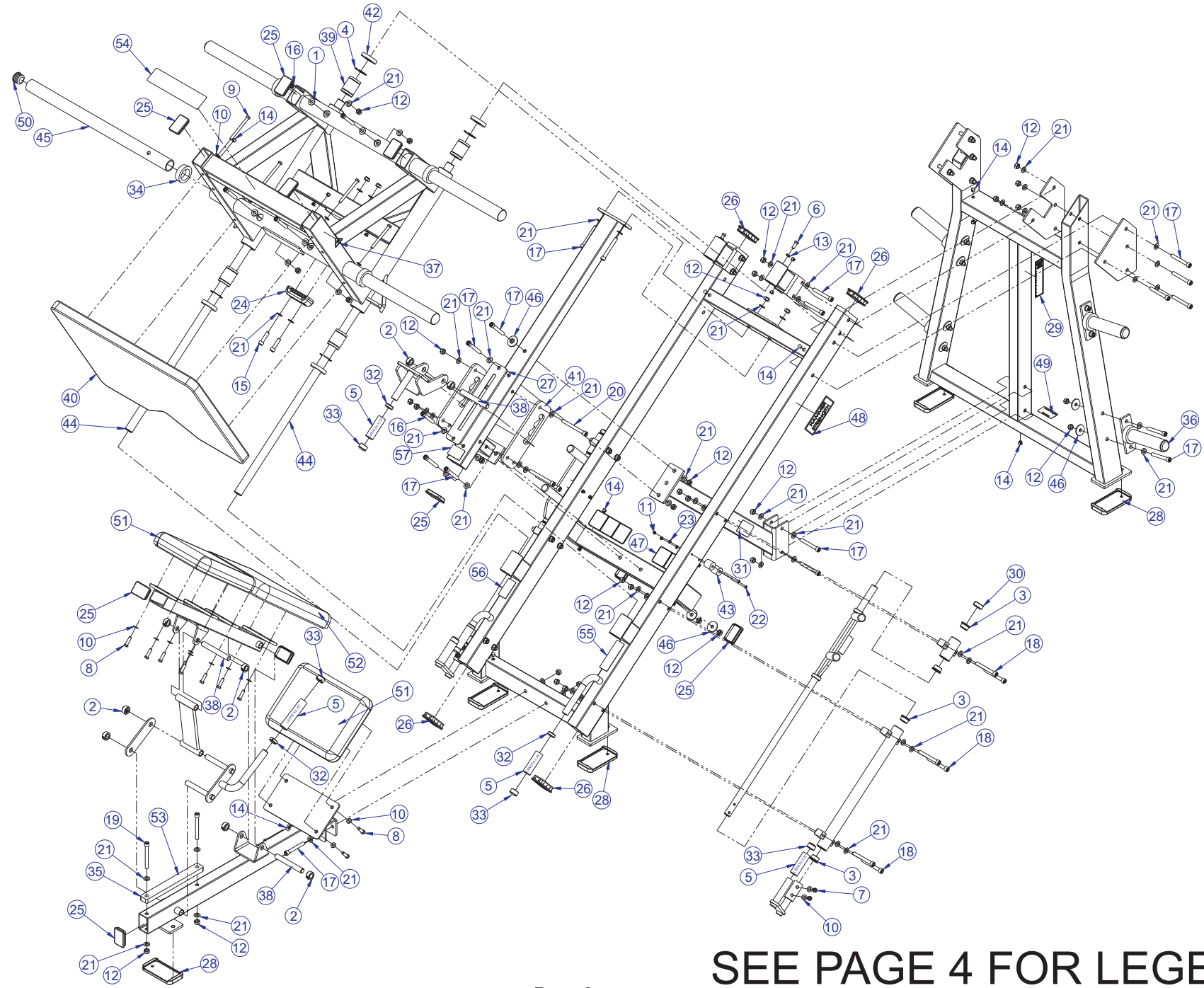
HSLLP / 4/26/2012



HSLLP LINEAR LEG PRESS CONTENTS

| | PAGE |
|---------------------------|------|
| COMPONENT ASSEMBLY | 3 |
| COMPONENT ASSEMBLY LEGEND | 4 |
| UPHOLSTERY PADS | 5 |
| WELDMENT LIST | 6 |
| WELDMENT LIST LEGEND | 7 |
| WEIGHT HORN ASSEMBLY | 8 |
| IMAGE | 9 |

HSLLP LINEAR LEG PRESS COMPONENT ASSEMBLY



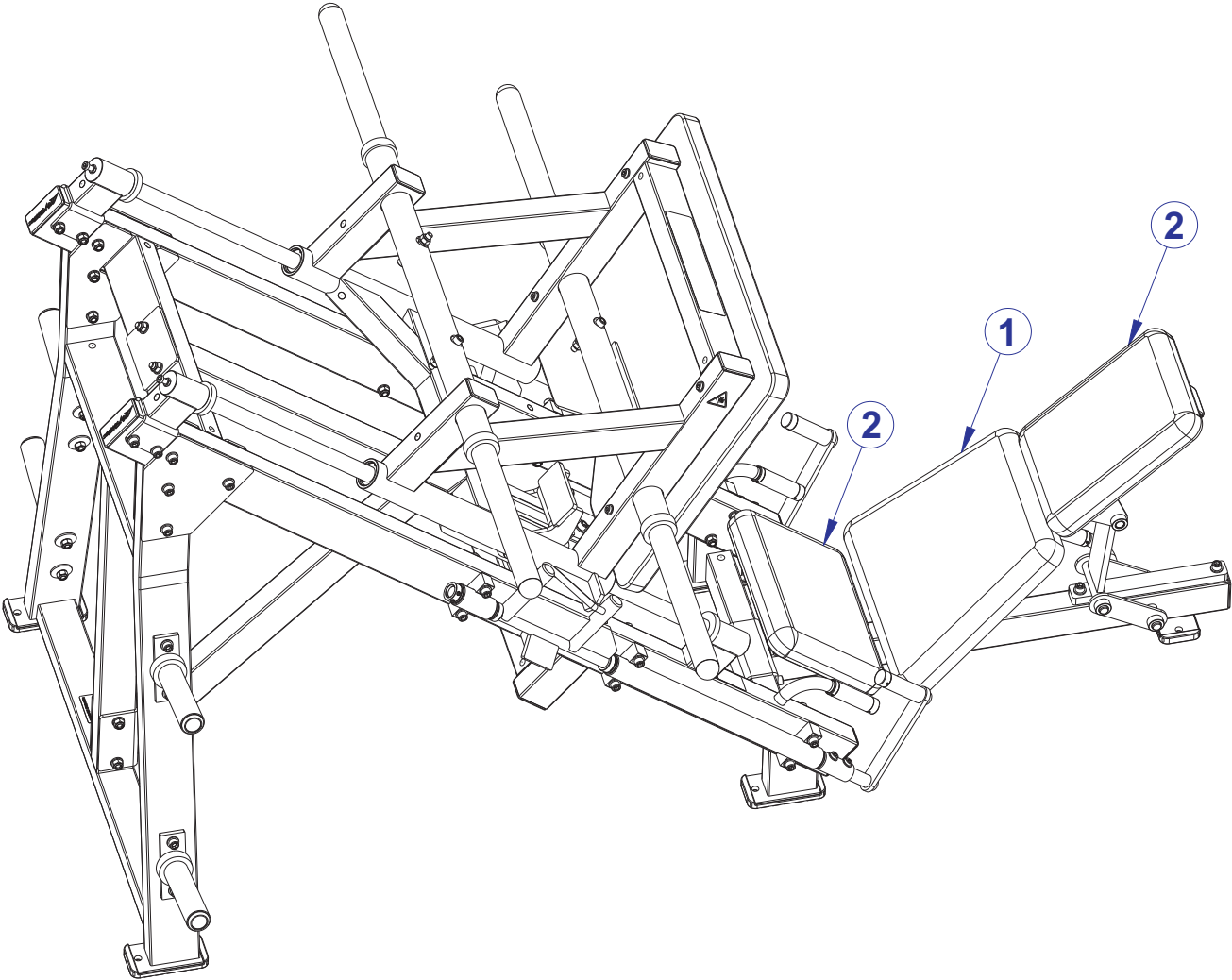
SEE PAGE 4 FOR LEGEND

HSLLP LINEAR LEG PRESS COMPONENT ASSEMBLY LEGEND

| ITEM NO. | QTY. | PART NO. | DESCRIPTION |
|----------|------|-----------------|-------------------------------------|
| 1 | 4 | 3102507 | WASHER, TYPE A PLAIN |
| 2 | 8 | 3103301 | SHAFT COLLAR, 3/4 I.D. ZINC |
| 3 | 8 | 3104906 | 1.00" ID 1.25" OD BRONZ BUSHING |
| 4 | 4 | 3202602 | RING, INCH SERIES INT RETAINING |
| 5 | 5 | 3235801 | GRIP, HSLLP 3.6875 |
| 6 | 2 | 3236202 | SCREW, M10 X1.5 25MM |
| 7 | 4 | 3236203 | SCREW, M10 X1.5 30MM |
| 8 | 12 | 3236204 | SCREW, M10 X1.5 35MM |
| 9 | 4 | 3236218 | SCREW, M10 X1.5 110MM |
| 10 | 20 | 3236601 | WASHER, 3/8 SAE SS |
| 11 | 4 | 3236802 | NUT, M6 HEX NYLOCK SS |
| 12 | 54 | 3236803 | NUT, M12 HEX NYLOCK SS |
| 13 | 2 | 3236901 | NUT, M10 X 1.5 JAM |
| 14 | 26 | 3237402 | PLUG, HOLE |
| 15 | 2 | 3241306 | SCREW, M12 X1.75 45MM |
| 16 | 5 | 3241313 | SCREW, M12 X1.75 80MM |
| 17 | 30 | 3241315 | SCREW, M12 X1.75 90MM |
| 18 | 12 | 3241317 | SCREW, M12 X1.75 100MM |
| 19 | 2 | 3241319 | SCREW, M12 X1.75 110MM |
| 20 | 3 | 3241320 | SCREW, M12 X1.75 120MM |
| 21 | 93 | 3241401 | WASHER, FLAT 12MM SS |
| 22 | 4 | 3241712 | SCREW, M6 X1 75MM |
| 23 | 4 | 3241801 | WASHER, FLAT 6MM SS |
| 24 | 1 | 7352001 | BUMPER, 2-1/8 X 4-5/8 |
| 25 | 10 | 7352301 | CAP, END 2 X 3 |
| 26 | 4 | 7352401 | CAP, END 2 X 4 |
| 27 | 1 | 7359701 | SEATRACK FRONT |
| 28 | 5 | 7388201 | FOOTPAD, PS RUBBER |
| 29 | 1 | 87737XX | LABEL, 2" ASTM WARN |
| 30 | 2 | 7435301 | COLLAR, SHAFT 1.020 ID |
| 31 | 1 | 7571302 | LABEL, SERIAL NUMBER HAMMER |
| 32 | 4 | 7662801 | RING, GRIP 1.25 OD |
| 33 | 6 | 7662901 | CAP, GRIP 1.25 OD |
| 34 | 4 | 7671601 | MM5 RING |
| 35 | 1 | 7709801 | BUMPER, 1" STRIP |
| 36 | 4 | 7760201 | ASSY, WEIGHT HORN |
| 37 | 2 | 8039501 | LABEL, WARNING, TRIANGLE |
| 38 | 3 | 8074901 | SHAFT, PLL2, SEAT ADJ |
| 39 | 4 | 8271101 | BEARING, LINEAR BALL 1.25 |
| 40 | 1 | 8273701 | BOARD, HSLLP LINE-X |
| 41 | 2 | 8273901 | PLATE, HSLLP STOP |
| 42 | 4 | 8274001 | BUMPER, HSLLP CARRIAGE |
| 43 | 4 | 8274301 | BUMPER, HSLLP RACKOUT |
| 44 | 2 | 8274401 | GUIDE ROD, HSLLP 1.25 CASE HARDENED |
| 45 | 4 | 8307801 | TUBE, HSLLP WT ROD |
| 46 | 11 | H-BACK-WASH | BACKING WASHER |
| 47 | 2 | H-PLATE-G3 | LARGE PLATE GUARD |
| 48 | 2 | M051-00289-A000 | HAMMER STRENGTH NAME PLATE |
| 49 | 1 | M051-00299-A000 | HAMMER PATENT DECAL |
| 50 | 4 | RUBCAP1 | RUBBER CAP #1 |
| 51 | 2 | | PAD, BACK 15 X 11-1/4 |
| 52 | 1 | | PAD, SEAT 17 X 18-5/8 |
| 53 | 1 | 7709801 | BUMPER, 1" STRIP |
| 54 | 1 | 8270601 | HSLLP INSTRUCTIONAL PLACARD |
| 55 | 1 | 82702XX | LABEL, HSLLP EXERCISE INSTR |
| 56 | 1 | 82705XX | LABEL, HSLLP LOCK WARNING |
| 57 | 1 | 83272XX | HSLLP E-STOP LABEL |

NOTE: ITEMS ENDING IN XX ARE COLOR OR LANGUAGE SPECIFIC.

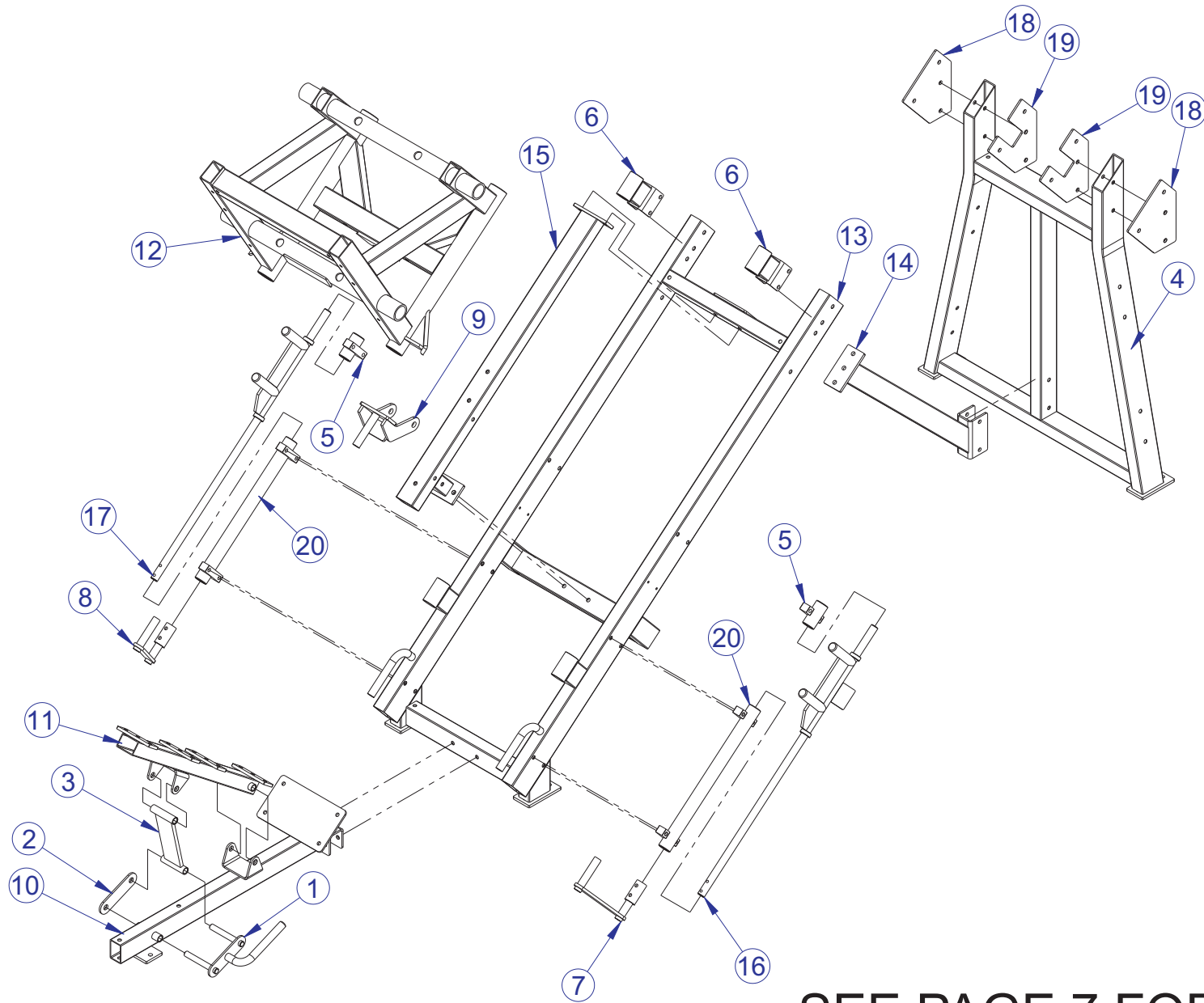
HSLLP LINEAR LEG PRESS UPHOLSTERY PADS



| ITEM NO. | QTY. | PART NO. | DESCRIPTION |
|----------|------|------------|-----------------------|
| 1 | 1 | ██████████ | PAD,SEAT 17 X 18-5/8 |
| 2 | 2 | ██████████ | PAD, BACK 15 X 11-1/4 |

NOTE: ITEMS ENDING IN XX ARE COLOR SPECIFIC.

HSLLP LINEAR LEG PRESS WELDMENT LIST

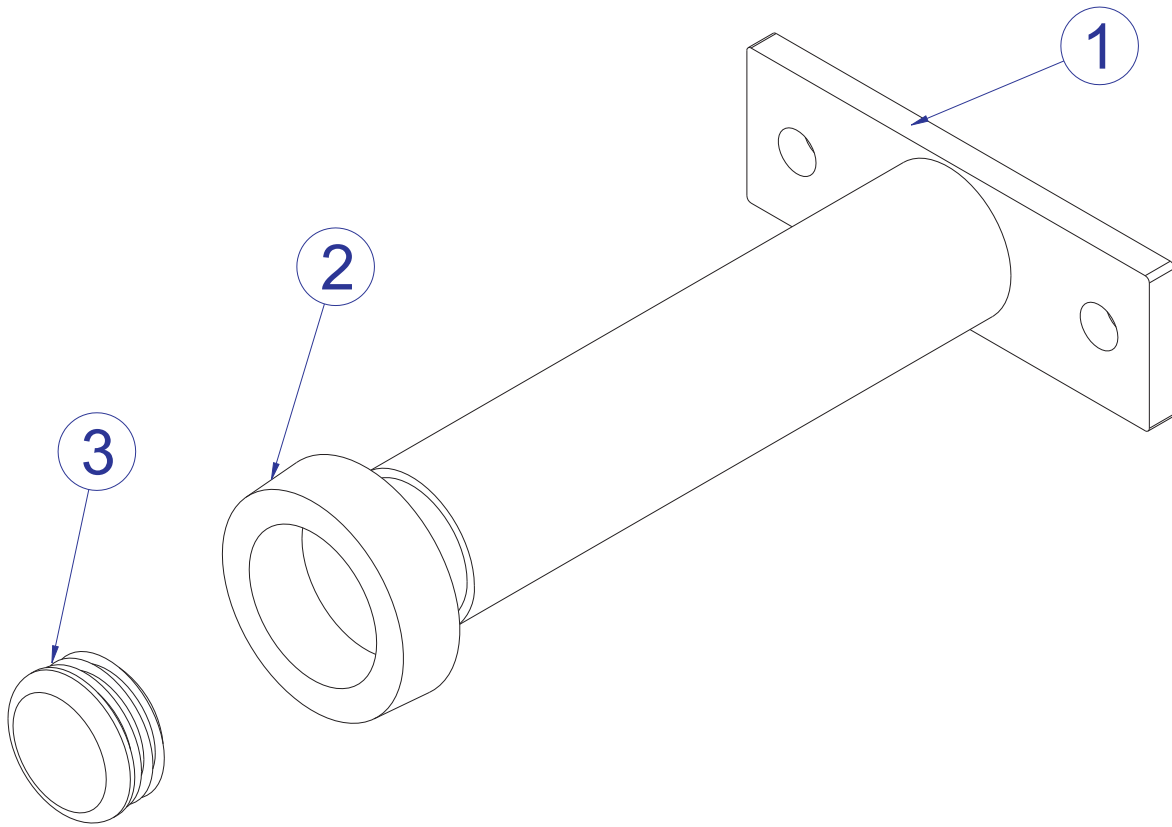


SEE PAGE 7 FOR LEGEND

HSLLP LINEAR LEG PRESS WELDMENT LIST LEGEND

| ITEM NO. | QTY. | PART NO. | DESCRIPTION |
|----------|------|----------|------------------------------|
| 1 | 1 | 7699601 | WLDMT, PLL2 SEAT ADJ. HANDLE |
| 2 | 1 | 7699701 | PLATE, PLL2 .25" SEAT ADJ. |
| 3 | 1 | 7699901 | WLDMT, PLL2 SEAT ADJ LNK |
| 4 | 1 | 8266501 | WLDMT, HSLLP FRAME |
| 5 | 2 | 8267201 | WLDMT, HSLLP HSG |
| 6 | 2 | 8267501 | WLDMT, HSLLP HSG |
| 7 | 1 | 8267901 | WLDMT, HSLLP HANDLE (R) |
| 8 | 1 | 8268401 | WLDMT, HSLLP HANDLE (L) |
| 9 | 1 | 8268501 | WLDMT, HSLLP STOP |
| 10 | 1 | 8268801 | WLDMT, HSLLP SEAT FRAME |
| 11 | 1 | 8269101 | WLDMT, HSLLP SEATBACK |
| 12 | 1 | 8269301 | WLDMT, HSLLP CARRIAGE |
| 13 | 1 | 8271301 | WLDMT, HSLLP MAIN |
| 14 | 1 | 8272401 | WLDMT, HSLLP SUPPORT |
| 15 | 1 | 8272601 | WLDMT, HSLLP |
| 16 | 1 | 8272901 | WLDMT, HSLLP RIGHT RACKOUT |
| 17 | 1 | 8273601 | WLDMT, HSLLP LEFT RACKOUT |
| 18 | 2 | 8284701 | PLATE, HSLLP OUTER |
| 19 | 2 | 8284801 | PLATE, HSLLP INNER |
| 20 | 2 | 8285001 | WLDMT, HSLLP HSG |

HSLLP LINEAR LEG PRESS WEIGHT HORN ASSEMBLY



| ITEM NO. | QTY. | PART NO. | DESCRIPTION |
|----------|------|----------|-------------------------------|
| 1 | 1 | 7762701 | WEIGHT HORN |
| 2 | 1 | 7671601 | MM5 RING |
| 3 | 1 | 3119302 | CAP, END 1.75 DIA RD 14-20 GA |

HSLLP LINEAR LEG PRESS IMAGE

