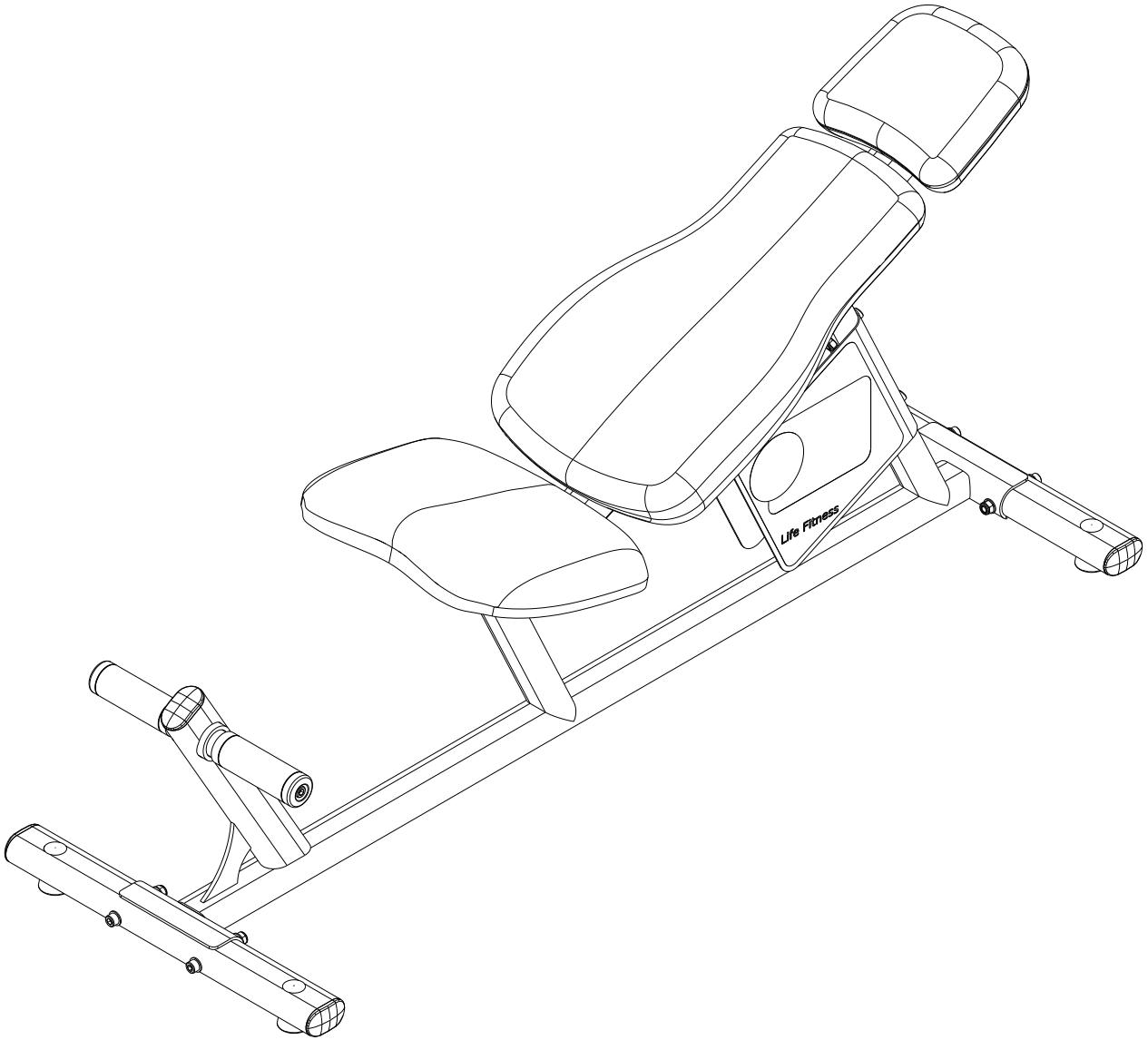




CIRCUIT SERIES  
TCABB  
AB CURL BENCH



Customer Support Services  
**PARTS LIST**

# TCABB AB CURL BENCH

## Contents

---

COMPONANT ASSEMBLY	pg.3
COMPONANT ASSEMBLY LEGEND	4
CENTER FRAME ASSEMBLY	5
FOOT BRACE ASSEMBLY	6
FOOT REST ASSEMBLY	7
IMAGE	8

### COLOR LEGEND

Item numbers ending in 'XX' require paint color.  
Replace last two digits from the corresponding code.

01 = White

02 = Platinum

99 = Custom Paint



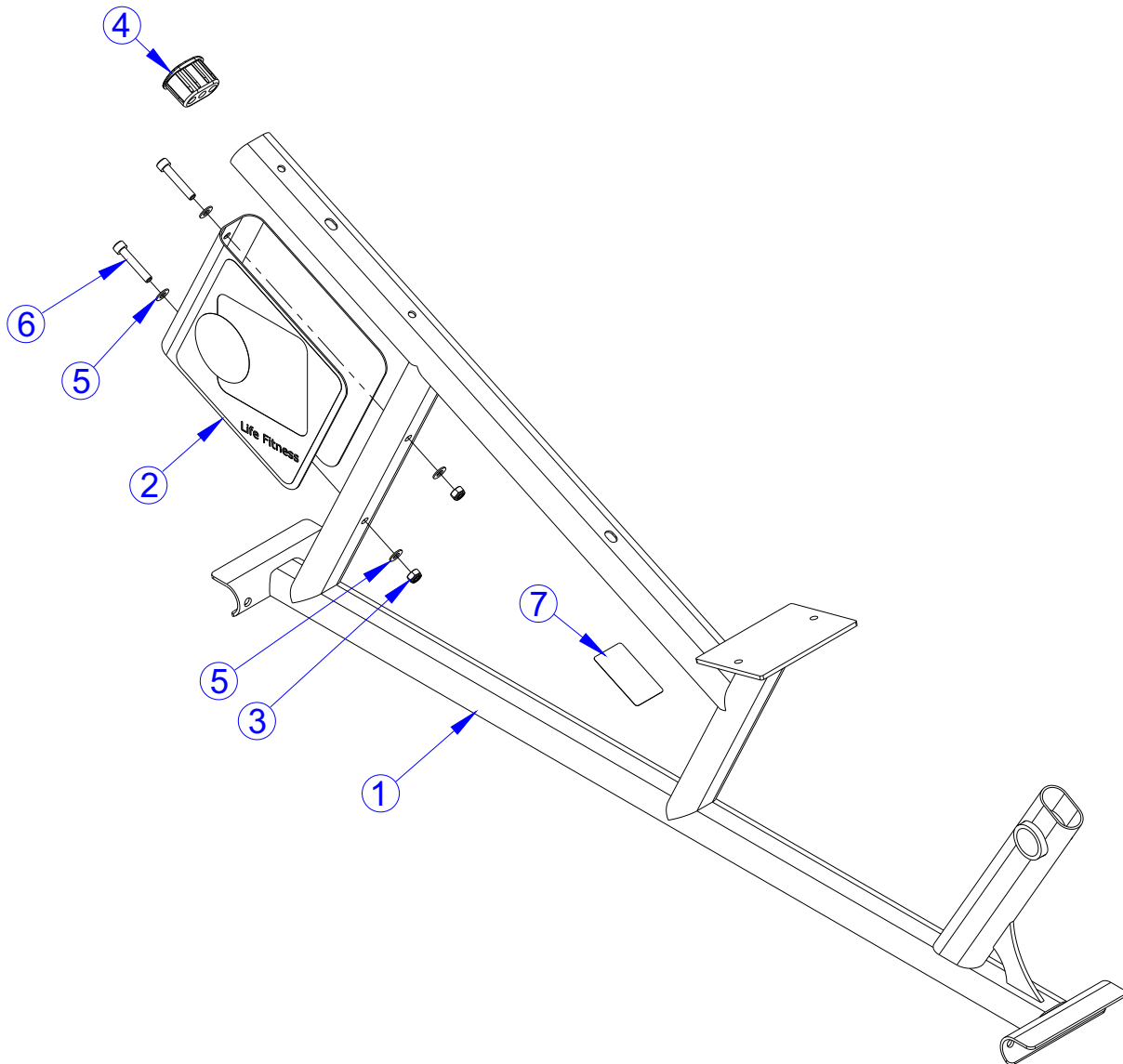


# TCABB AB CURL BENCH COMPONANT ASSEMBLY LEGEND

---

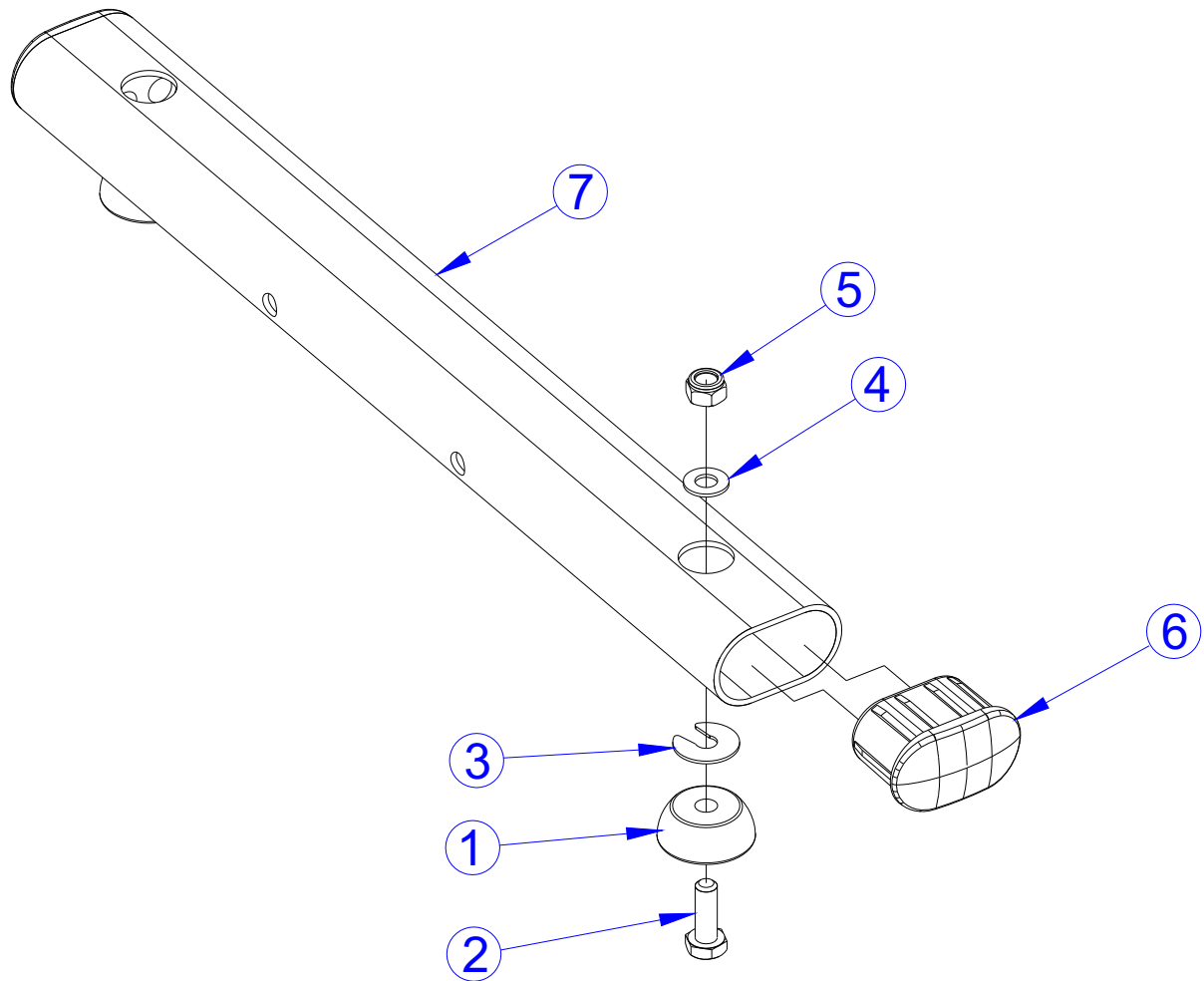
ITEM NO.	QTY.	PART NO.	DESCRIPTION
1	1	80393XX	ASSY, TCABB, CENTER FRAME
2	2	80144XX	ASSY, TCABB, FOOT BRACE
3	1	80145XX	ASSY,TCABB, FOOT REST
4	1	7297201	PAD, LARGE CHAIR
5	1	7474101	PAD, LARGE BACK
6	1	7474301	PAD, HEAD REST
7	17	3102514	WASHER, FLAT 3/8" SAE ST ZN
8	4	3242002	NUT, M10 X 1.5 HEX NYLOCK
9	4	3251702	SCREW, M10 X1.5 25MM
10	4	3251704	SCREW, M10 X1.5 35MM
11	1	3251707	SCREW, M10 X1.5 50MM
12	4	3251715	SCREW, M10 X1.5 90MM
13	8	3237403	PLUG, 1" HOLE
14	2	7800101	GRIP, 1.50 ID FOOT
15	1	7800501	CAP, SML FLOV END

# TCABB AB CURL BENCH CENTER FRAME ASSEMBLY - 80393XX



ITEM NO.	QTY.	PART NO.	DESCRIPTION
1	1	79761XX	WLDMT, TCABB, CENTER FRAME
2	1	80258XX	ASSY, TCABB, PLACARD
3	2	3242002	NUT, M10 X 1.5 HEX NYLOCK
4	1	7800501	CAP, SML FLOV END
5	4	3102514	WASHER, FLAT 3/8" SAE ST ZN
6	2	3251708	SCREW, M10 X1.5 55MM
7	1	7571301	LABEL, SERIAL NUMBER

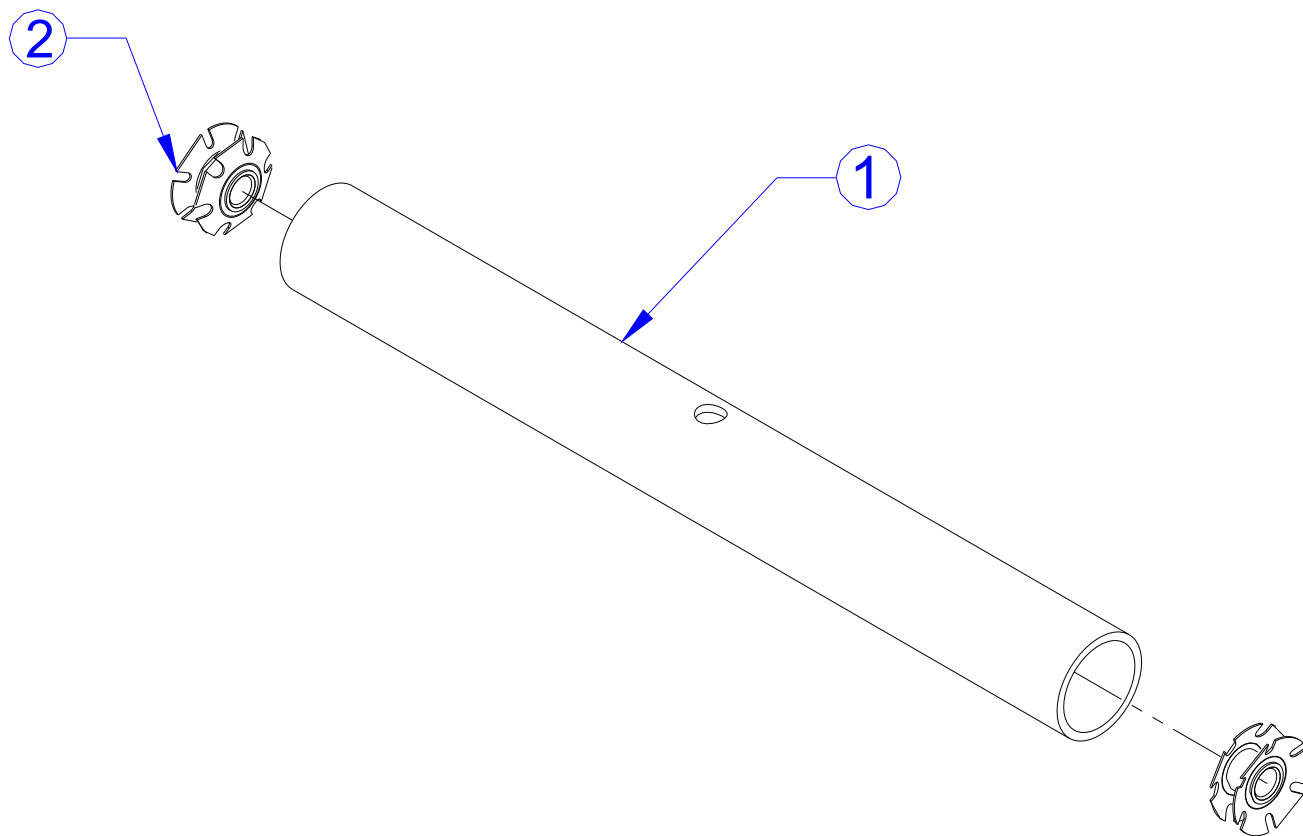
# TCABB AB CURL BENCH FOOT BRACE ASSEMBLY - 80144XX



ITEM NO.	QTY.	PART NO.	DESCRIPTION
1	2	7893001	FOOT, LEVELER
2	2	3251203	SCREW, M10 X1.5 X 30MM UNS HEX CS ST ZN
3	2	7893101	SHIM, FOOT LEVELER
4	2	3102514	WASHER, FLAT 3/8" SAE ST ZN
5	2	3242002	NUT, M10 X 1.5 HEX NYLOCK
6	2	7800501	CAP, SML FLOV END
7	1	79764XX	TUBE, TCABB, 41.28 X 69.85 FLOV

# TCABB AB CURL BENCH FOOT REST ASSEMBLY - 80145XX

---



ITEM NO.	QTY.	PART NO.	DESCRIPTION
1	1	79770XX	TUBE, TCABB, 38MM OD
2	2	7347301	NUT, SPIDER M10 X 1.5

TCABB AB CURL BENCH  
IMAGE

---

