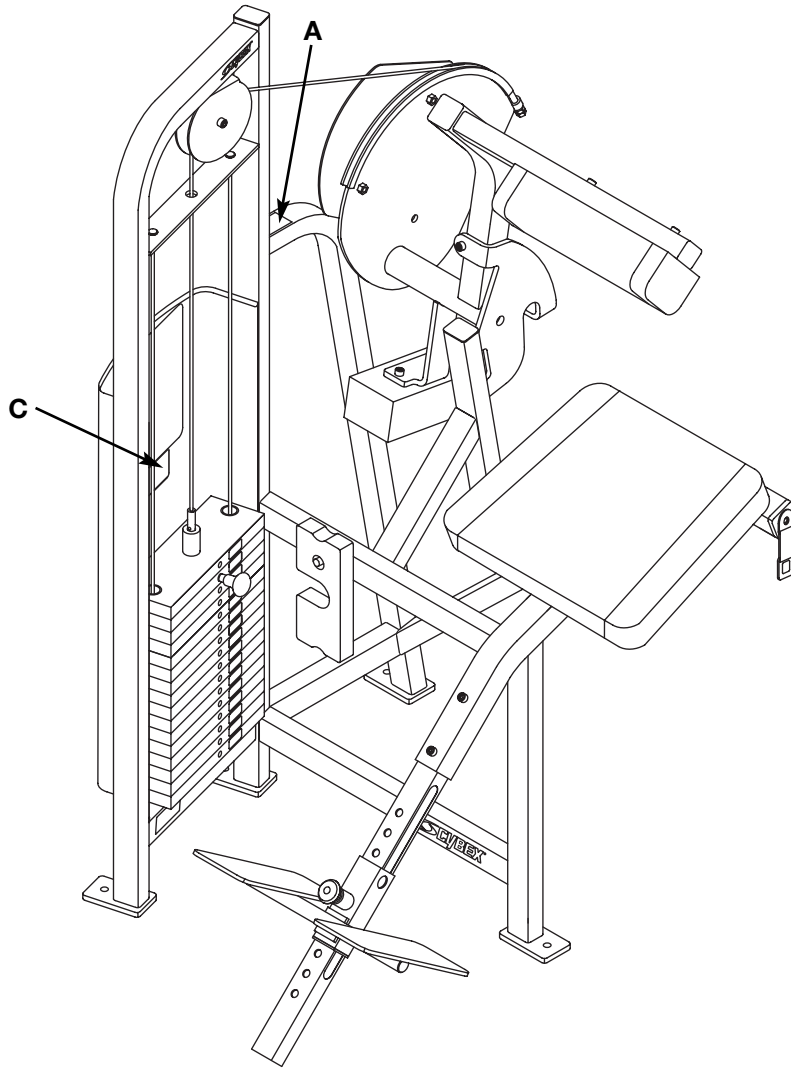


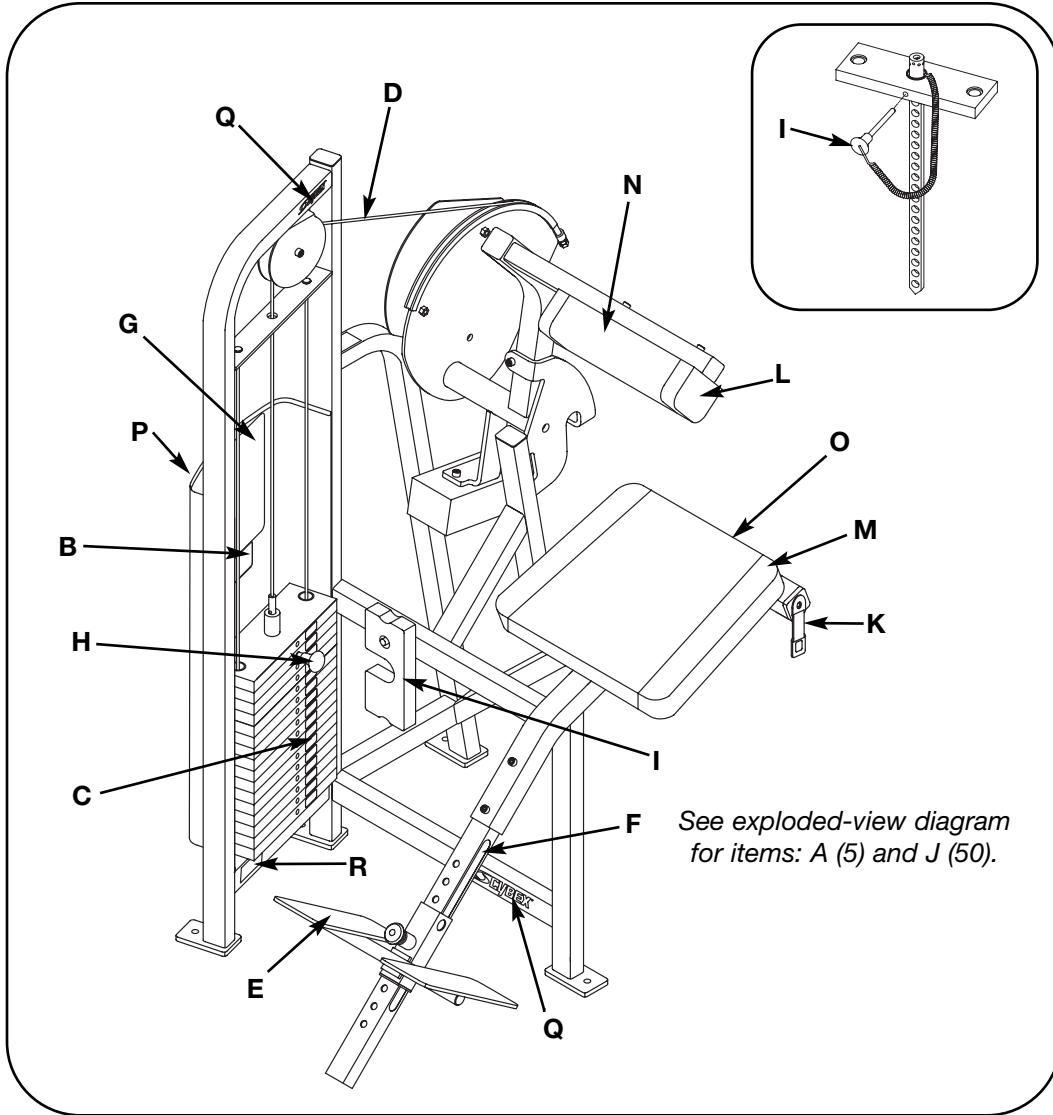
Back Extension - 4890



DESCRIPTION	PART NO.
A. Caution Decal	4000Y316
C. Warning Decal	4800-381

BACK EXTENSION

PRODUCT NO. 4890



See exploded-view diagram for items: A (5) and J (50).

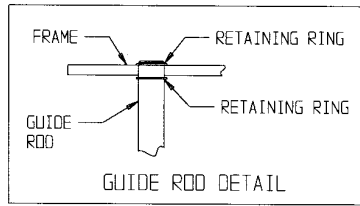
DESCRIPTION	PART NO.	DESCRIPTION	PART NO.
A. Caution Decal	4000Y316	L. Back Cushion w/Wear Cover	4800-014
B. Warning Decal	4800-381	M. Seat Cushion w/Wear Cover	4800-015
C. Weight Plate Decal	4800-554	N. Wear Cover (Item L)	4800-094
D. Weight Stack Cable	4890-002	O. Wear Cover (Item M)	4207S072-0
E. Non-Slip	4890-314	P. Cybex Decal Black	3900-441
F. Adjusting Decal	4890-315	P. Cybex Decal Silver	3900-442
G. Placard Decal	4890-598	Q. Cybex Decal Black	3900-445
H. Weight Selector Pin	BH030207	Q. Cybex Decal Silver	3900-446
I. Half Weight	C-ZA000200	R. Serial Number Decal	
J. Seat Belt (Buckle Half)....	UB050202		
K. Seat Belt (Connector Half).	UB050204		

4890 - Back Extension

ITEM	QTY	PART NO.	DESCRIPTION
1	1	08014	Pulley Assembly 4.50
2	1	11040-440	Knob
3	1	08229	Detent Pin
4	1	3900-441	Cybex Decal 8.50 Vert. Black
4	1	3900-442	Cybex Decal 8.50 Vert. Silver
5	1	4000Y316	Caution Decal
6	2	4505-331	Bumper 1.50 Dia.
7	2	4700-019	Flange Bearing .62 x .92 x 1.50 L
8	1	4705-319	Counterweight
9	1	4710-203	Cushion Support
10	1	4800-251	Top Weight 16-4 x 12
11	1	4800-381	Warning Decal
12	1	4800-554	Weight Plate Decal (12.5-150) (Not Shown)
13	2	4800-531	Weight Stack Guide Rod
14	1	4800-702	Weight Stack Guard
15	1	4800-570	Cable Guard
16	1	4800-580	Pivot Shaft
17	1	4890-002	Weight Stack Cable
18	1	4890-200	Frame
19	1	4890-201	Input Arm
20	1	4890-202	Foot Plate
21	1	4890-307	Adjusting Tube
22	2	4890-314	Non-Slip
23	1	4890-315	Adjusting Decal
24	1	4890-316	Cable Guard
25	1	4890-598	Placard Decal
26	1	BH030207	Weight Selector Pin
27	2	BR030206	Retaining Ring
28	4	BR030214	Retaining Ring .625
29	2	BR110203	Internal Retainer Cap 17 mm
30	1	BS070201	Com Spring .56 x .66 x 1.50 L
31	2	PR060005	Weight Bumper
32	1	C-ZA000200	Half Weight 4 x 12

ITEM	QTY	PART NO.	DESCRIPTION
33	2	FB030232	Radial Bearing 17 mm ID (Ext Race)
34	4	FB130209	Flange Bearing .375 x .750
35	3	HC702815	SHCS .375-16 x .750
36	4	HC702817	SHCS .375-16 x 1.00
37	4	HC702830	SHCS .375-16 x 2.50
38	4	HC702834	SHCS .375-16 x 3.00
39	8	HN704901	Nylon Locknut .375-16
40	1	HP286819	Spiral Pin .188 x 1.12
41	4	HS368000	Nylon Washer .443 x .750 x .125 T
42	4	HT102214	Tap Screw #10-12 x .625 A (Phil)
43	2	JC702820	SHCS .375-16 x 1.25
44	1	JC702824	SHCS .375-16 x 1.75
45	1	JN714200	Hex Nut .375-24
46	1	JN714400	Jam Nut .375-24
47	3	PP090000	Plastic Insert 1.50 x 2.00 x 11 G
48	1	PP090200	Plastic Insert 1.75 Sq x 11 G
49	1	PP090210	Plastic Insert 2.00 Sq x 11 G
50	1	UB050202	Seat Belt - Buckle Half
51	1	UB050204	Seat Belt - Connector Half
52 A	1	4800-015	Seat Cushion w/Wear Cover
52 B	1	4207S072-0	Wear Cover
53 A	1	4800-014	Back Cushion w/Wear Cover
53 B	1	4800-094	Wear Cover
55	2	3900-445	Cybex Decal 1.00 Horiz.Black
55	2	3900-446	Cybex Decal 1.00 Horiz. Silver
57	1	4800-382	VR Weight Stack Instructions (Not Shown)
58	15	4005C062	Weight Plate 4 x12 (Not Shown)
59	1	4000-328	Foot Glide Removal Instructions (Not Shown)
60	4	JS347400	Internal Tooth Lockwasher .375
61	1	51198	Strength Warranty Sheet (Not Shown)
62	1	4800-555	Weight Plate Decal (162.5-250) (Not Shown)

4890 - Back Extension



SEE GUIDE ROD DETAIL

