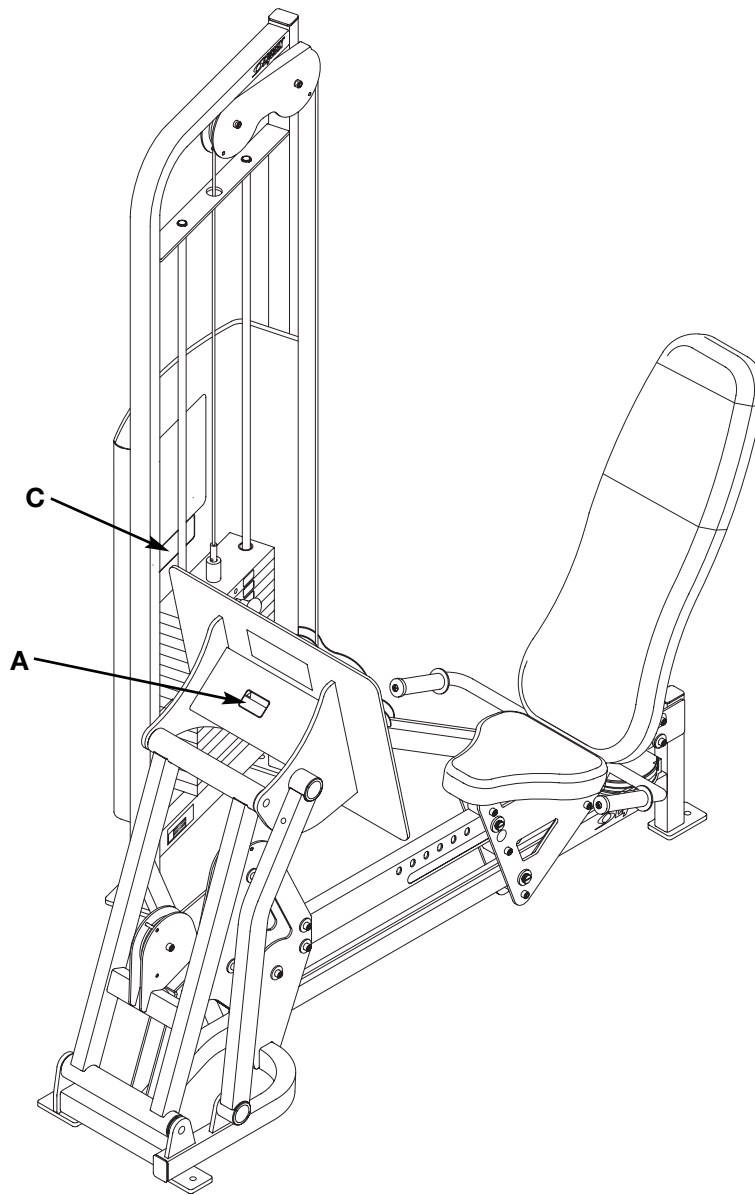


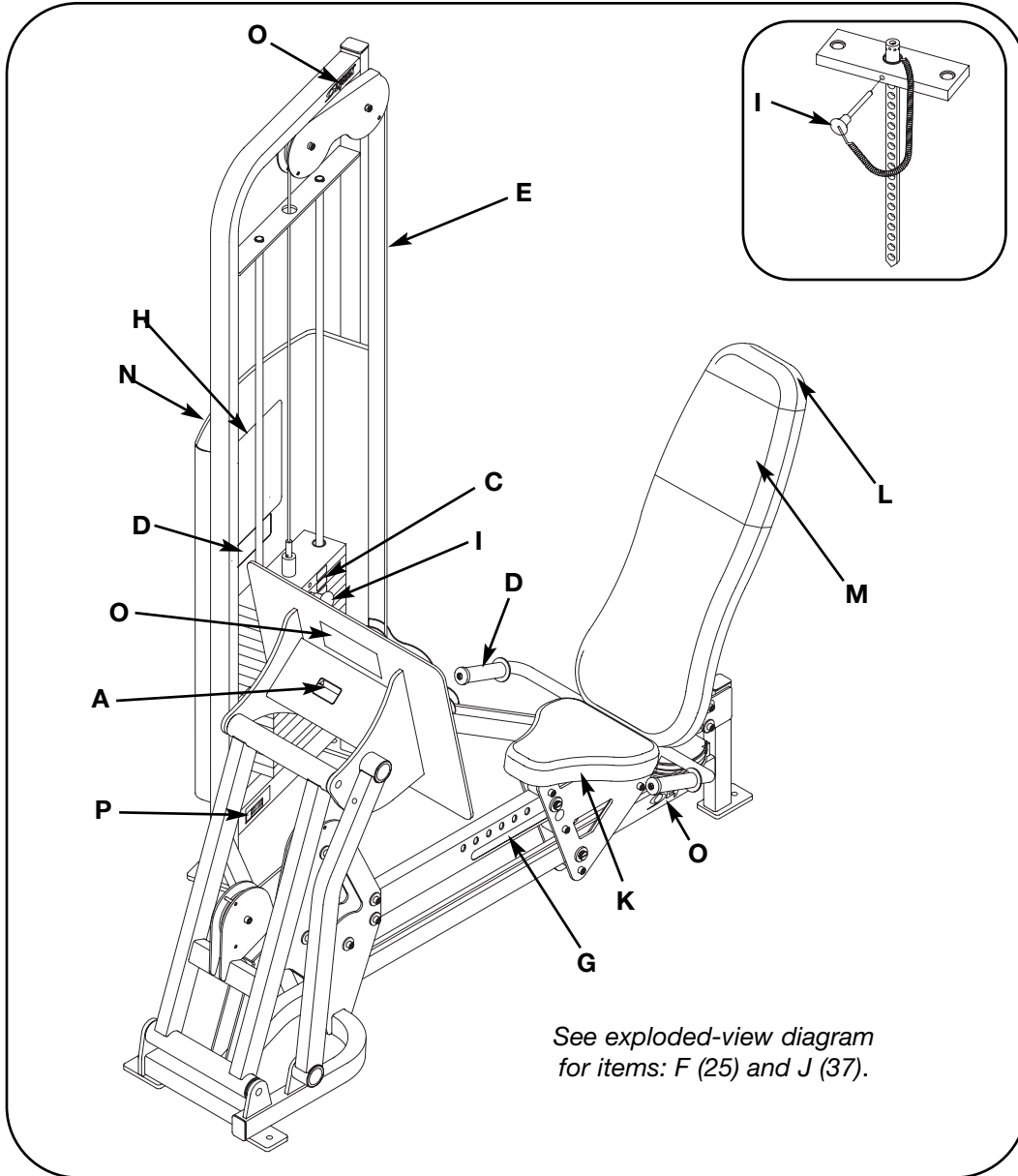
Seated Leg Press - 4860



DESCRIPTION	PART NO.
A. Caution Decal .....	4000Y316
C. Warning Decal .....	4800-381

# SEATED LEG PRESS

PRODUCT NO. 4860



See exploded-view diagram for items: F (25) and J (37).

DESCRIPTION	PART NO.	DESCRIPTION	PART NO.
A. Caution Decal .....	4000Y316	K. Seat Cushion .....	4800-025
B. Warning Decal .....	4800-381	L. Back Cushion	
C. Weight Plate Decal .....	4800-556	w/Wear Cover .....	4800-111
D. Grip .....	4605-502	M. Wear Cover (Item L) .....	4800-114
E. Weight Stack Cable .....	4860-002	N. Cybex Decal Black .....	3900-441
F. Non-Slip Fabric.....	4860-326	N. Cybex Decal Silver .....	3900-442
G. Seat Adjusting Decal .....	4860-331	O. Cybex Decal Black .....	3900-445
H. Placard Decal .....	4860-598	O. Cybex Decal Silver .....	3900-446
I. Weight Selector Pin .....	BH030207	P. Serial Number Decal	
J. Half Weight .....	C-ZA000201		

**4860 - Seated Leg Press**

ITEM	QTY	PART NO.	DESCRIPTION
1	5	08014	Pulley Assembly 4.50
2	1	11040-440	Cybex Knob
3	1	4505-329	Detent Pin
4	1	3900-441	Cybex Decal 8.50 Vert. Black
4	1	3900-442	Cybex Decal 8.50 Vert. Silver
5	1	4000Y316	Caution Decal
6	1	4505-331	Bumper 1.50 Dia.
7	2	4700-019	Flange Bearing .62 x .92 x 1.50 L
8	1	4800-254	Top Weight 20-4 x 18
9	1	4800-381	Warning Decal
10	1	4800-556	Weight Plate Decal (20-400) (Not Shown)
11	2	4800-534	Weight Stack Guide Rod
12	1	4800-570	Cable Guard
13	2	4800-580	Pivot Shaft
14	2	4605-502	Grip
15	1	4860-002	Weight Stack Cable
16	1	4860-200	Frame
17	1	4860-201	Foot Plate
18	1	4860-202	Linkage
19	1	4860-203	Pivot
20	1	4860-204	Seat
21	4	4860-300	Roller
22	1	4860-301	Adjusting Tube
23	5	4860-302	Spacer
24	1	4860-711	Weight Stack Guard
25	1	4860-326	Non-slip Fabric
26	1	4860-331	Seat Adjusting Decal
27	6	4860-332	Adjustable Bearing Plug
28	1	4860-598	Placard Decal
29	1	BH030207	Weight Selector Pin
30	2	BR030206	Retaining Ring
31	2	BR030210	Retaining Ring 17 mm
32	2	BR030212	Internal Retaining Ring 1.575
33	4	BR030214	Retaining Ring .625
34	4	BR110203	Internal Retainer Cap 17 mm
35	1	BS070201	Com Spring .56 x .66 x 1.50 L

ITEM	QTY	PART NO.	DESCRIPTION
36	2	PR060005	Weight Bumper
37	1	C-ZA000201	Half Weight 4 x 18
38	1	FB030213	Rod End Bearing (Female) .375-24
39	6	FB030232	Radial Bearing 17 mm ID (Ext Race)
40	3	GP000213	Pulley Assembly 4.50
41	1	HC702828	SHCS .375-16 x 2.25
42	7	HC702830	SHCS .375-16 x 2.50
43	18	HN704901	Nylon Locknut .375-16
44	1	HP286819	Spiral Pin .188 x 1.12
45	14	HS347600	Washer SAE .375
46	4	HT102214	Tap Screw #10-12 x .625 A (Phil)
47	1	JC702814	SHCS .375-16 x .625
48	4	JC702824	SHCS .375-16 x 1.75
49	7	JC702832	SHCS .375-16 x 2.75
50	1	JN714400	Jam Nut .375-24
51	4	PP090000	Plastic Insert 1.50 x 2.00 x 11 G
52	1	PP090200	Plastic Insert 1.75 Sq x 11 G
53	2	PP090208	Plastic Insert 1.75 Dia.
56	1	4800-022	Seat Cushion
57 A	1	4800-016	Back Cushion w/Wear Cover
57 B	1	4800-099	Wear Cover
58	3	JC702820	SHCS .375-16 x 1.25
59	1	HC702826	SHCS .375-16 x 2.00
60	1	PP080207	Plastic Insert
61	3	3900-445	Cybex Decal 1.00 Horiz. Black
61	3	3900-446	Cybex Decal 1.00 Horiz. Silver
63	1	4800-382	VR Weight Stack Instructions (Not Shown)
64	19	4000C101	Weight Plate 4 x 18 (Not Shown)
65	1	4000-328	Foot Glide Removal Instructions (Not Shown)
66	2	11090-374	End Cap
67	2	11090-376	Handle Grip Ring
68	1	51198	Strength Warranty Sheet (Not Shown)
69	2	HF449063	Connector Input
70	2	JC620422	BHSCS .250-20 x 1.50
71	4	JS347400	Internal Tooth Lockwasher .375

# 4860 - Seated Leg Press

