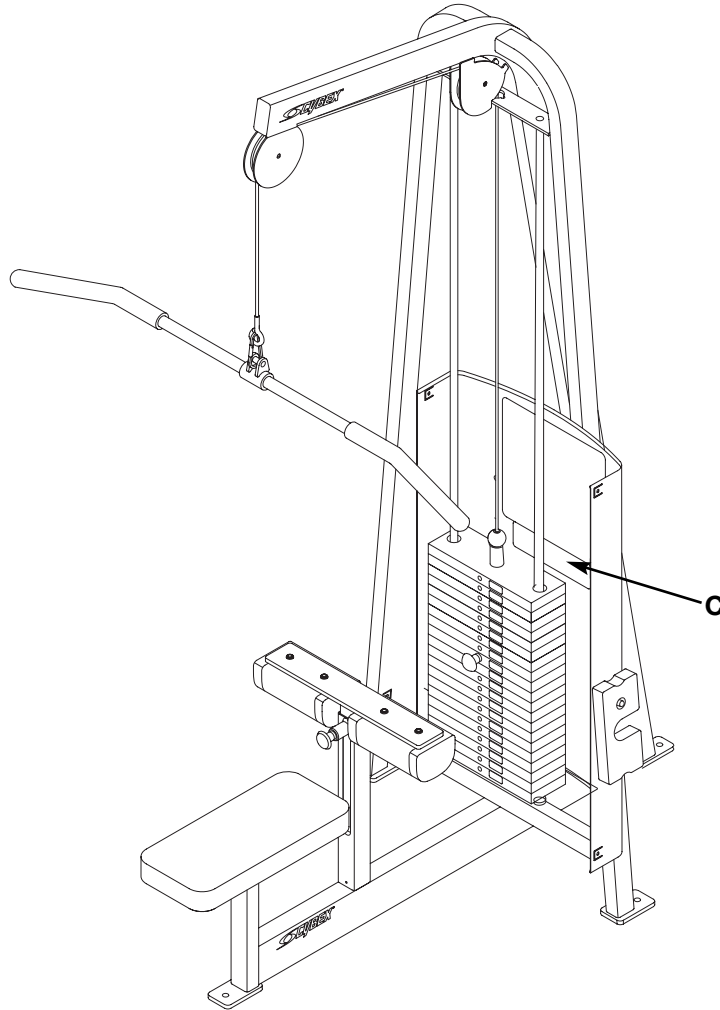


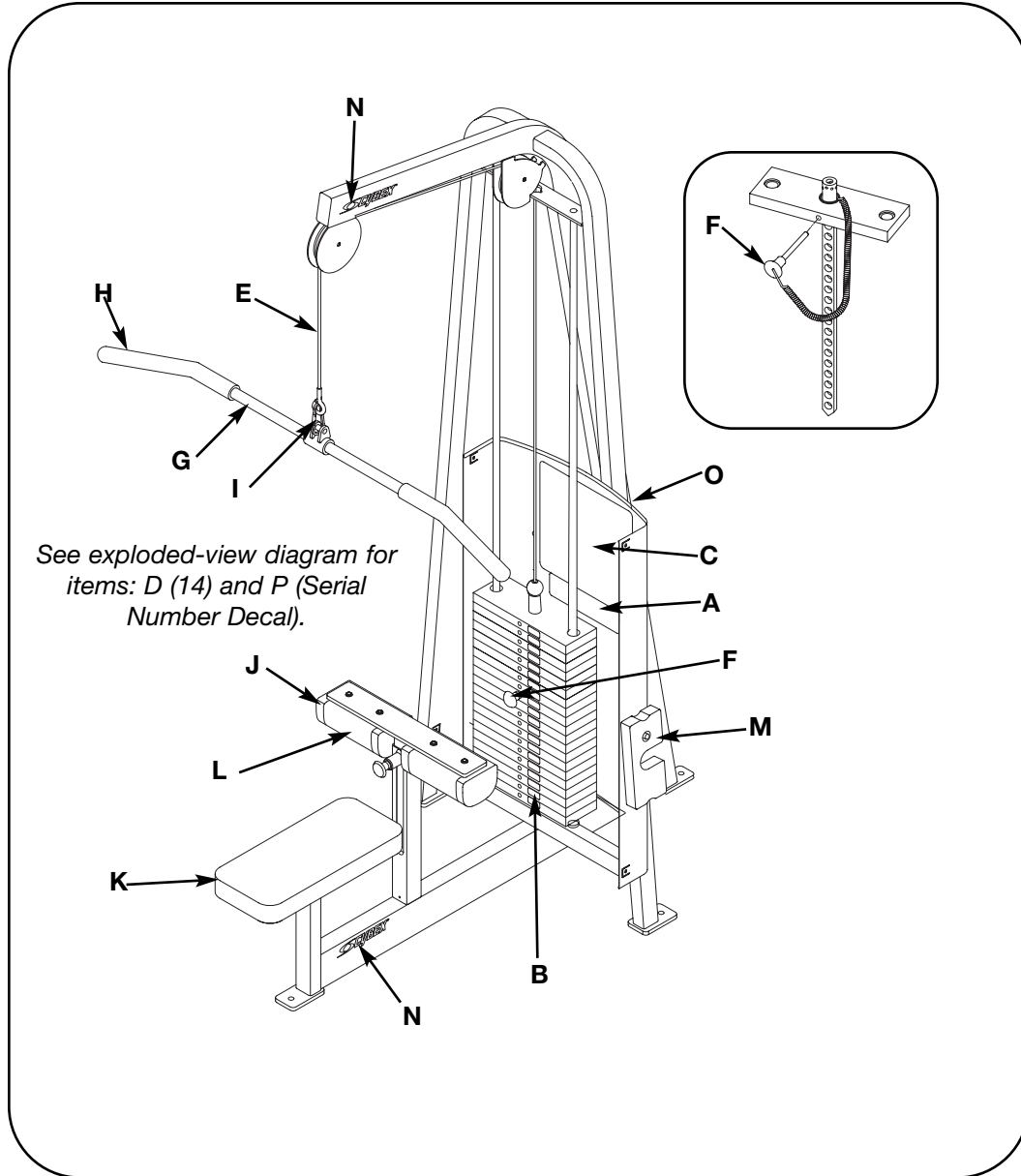
Lat Pulldown - 4810



DESCRIPTION	PART NO.
C. Warning Decal	4800-381

LAT PULLDOWN

PRODUCT NO. 4810



DESCRIPTION	PART NO.	DESCRIPTION	PART NO.
A. Warning Decal	4800-381	K. Seat Cushion	4800-021
B. Weight Plate Decal	4800-554	L. Wear Cover (Item J)	4800-101
C. Placard Decal	4810-598	M. Half Weight	C-ZA000200
D. Adjusting Knee Decal	4810-310	N. Cybex Decal Black	3900-447
E. Weight Stack Cable	4810-003	N. Cybex Decal Silver	3900-448
F. Weight Selector Pin	BH030207	O. Cybex Decal Black	3900-441
G. Pulldown Bar	4005-105	O. Cybex Decal Silver	3900-442
H. Grip	PR400201	P. Serial Number Decal	
I. Snap Link	GQ000206		
J. Thigh Cushion w/Wear Cover			

4810 - Lat Pulldown

ITEM	QTY	PART NO.	DESCRIPTION
1	2	08014	Pulley Assembly 4.50
2	1	11040-440	Cybex Knob
3	1	08229	Detent Pin
4	1	3900-441	Cybex Decal 8.50 Vert. Black
4	1	3900-442	Cybex Decal 8.50 Vert. Silver
5	1	4005-105	Pulldown Bar
6	2	4700-019	Flange Bearing .62 x .92 x 1.50 L
7	1	4800-250	Top Weight 16-4 x 12
8	1	4800-381	Warning Decal
9	2	4800-533	Weight Stack Guide Rod
10	1	4800-570	Cable Guard
11	1	4810-003	Weight Stack Cable
12	1	4810-200	Frame
13	1	4810-201	Knee Post
14	1	4810-310	Adjusting Knee Decal
15	1	4800-713	Weight Stack Guard
16	1	4810-598	Placard decal
17	1	BH030207	Weight Selector Pin
18	2	BR030206	Retaining Ring
19	4	BR030214	Retaining Ring .625
20	1	BS070201	Com Spring .56 x .66 x 1.50 L
21	2	PR060005	Weight Bumper

ITEM	QTY	PART NO.	DESCRIPTION
22	1	C-ZA000200	Half Weight 4 x 12
23	1	GQ000206	Snap Link
24	2	HN704901	Nylon Locknut .375-16
25	1	HP286819	Spiral Pin .188 x 1.12
26	4	HT102214	Tap Screw #10-12 x .625 A (Phil)
27	2	JC700824	SHCS .375-16 x 1.75
28A	2	4800-071	Thigh Cushion w/Wear Cover
28B	2	4800-101	Wear Cover
29	1	4800-021	Seat Cushion
30	6	HC702817	SHCS .375-16 x 1.00
31	1	4800-554	Weight Plate Decal (12.5-150) (Not Shown)
32	4	3900-447	Cybex Decal - 1.00 Horiz. Black
32	4	3900-448	Cybex Decal - 1.00 Horiz. Silver
33	1	51119	Selector Pin Retainer
34	1	4800-382	VR Weight Stack Instructions (Not Shown)
35	19	4005C062	Weight Plate 4 x 12 (Not Shown)
36	1	PP090202	Plastic Insert 1.50 x 3.00 11 G
37	1	4000-328	Foot Glide Removal Instructions (Not Shown)
38	1	51198	Strength Warranty Sheet (Not Shown)
39	6	JS347400	Internal Tooth Lockwasher .375
40	1	4800-555	Weight Plate Decal (162.5-250) (Not Shown)

4810 - Lat Pulldown

