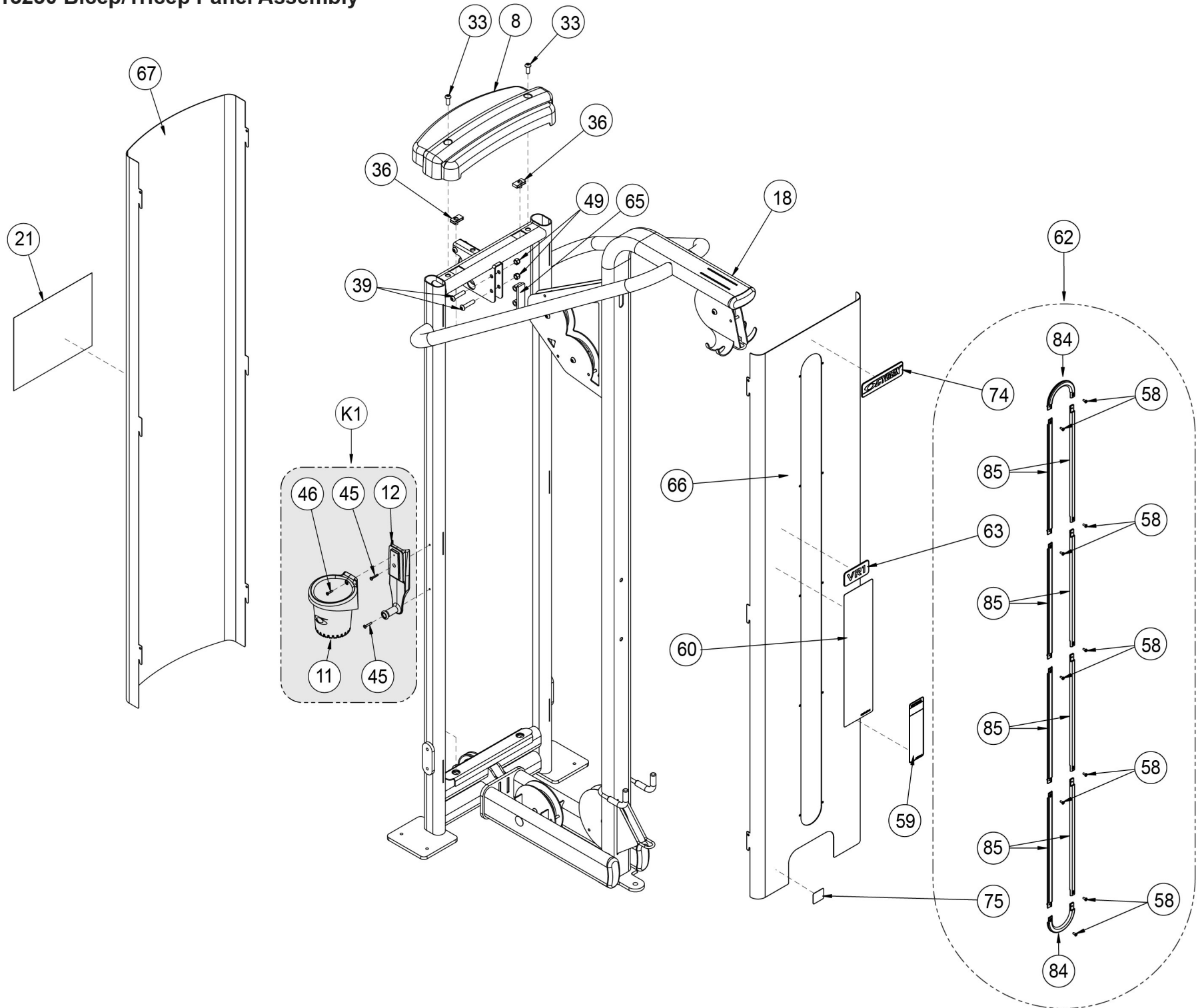


# 13230 Bicep/Tricep Panel Assembly

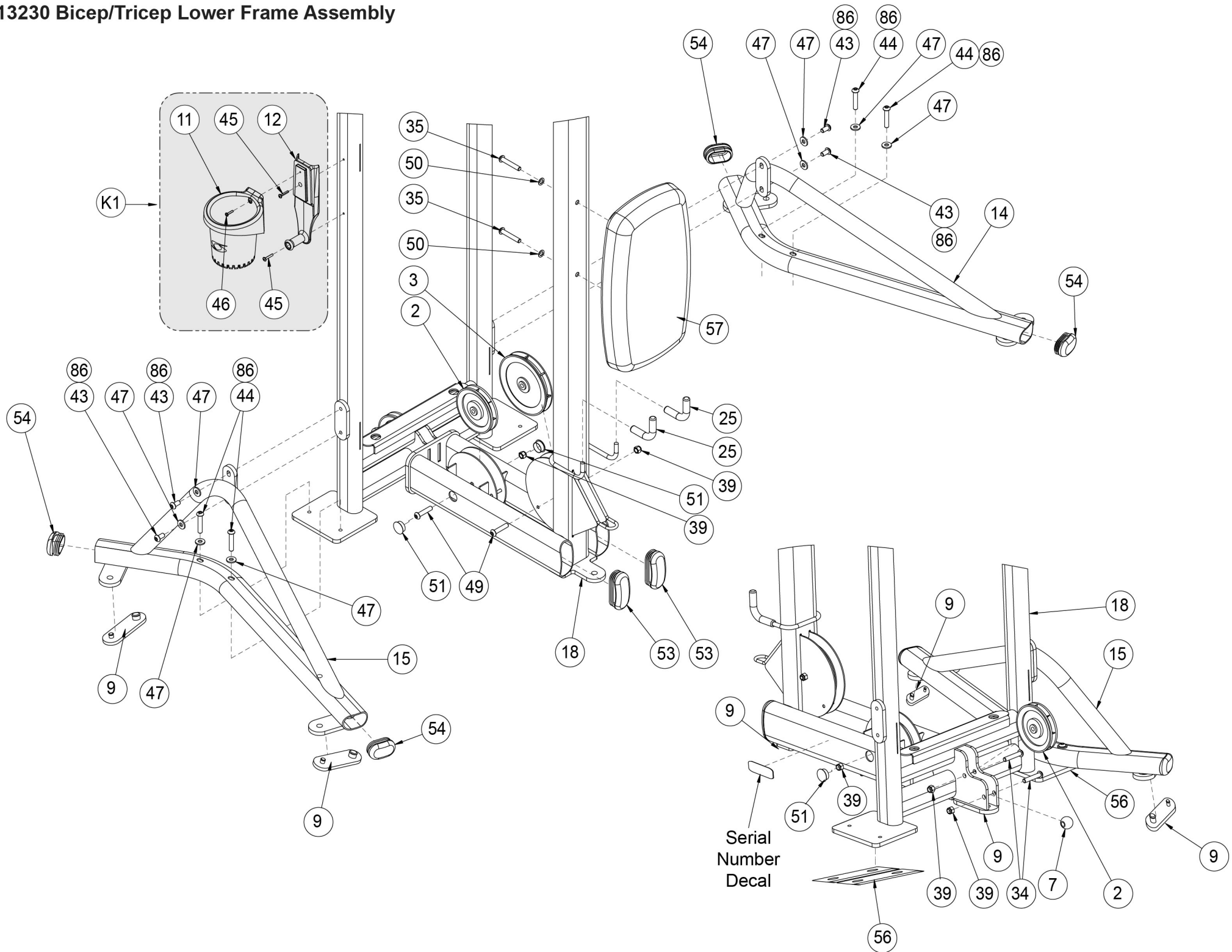


<u>Bulb Number</u>	<u>Part Number</u>	<u>Description</u>	
8	13000-342	MOLDED TOP CAP	
11	13000-400	WATER BOTTLE HOLDER	
12	13000-403	MOUNT, WATER BOTTLE HOLDER	
18	13230-200	MAIN FRAME	
21	3900-441	DECAL, CYBEX, BLACK	
21	3900-442	DECAL, CYBEX, SILVER	
33	HC700417	BHSCS .375-16 X 1.00	
36	HF700000	PANEL FASTNER, .375-16 , U TYPE	
39	HN704901	LOCKNUT, .375-16 NYLON	
45	HT512517	TAP SC 10-24 X 1.00 TYPE WB PN HD PHIL BLK	
46	HT552515	TAP SC NO. 8-16 X? .75 PLASTITE PN HD PHIL BLK	
49	JC700424	BHSCS .375-16 X 1.75	
58	HT552511	SCREW, TAP 8-16 x .38 PLASTITE BLACK	
59	4605-381-1	DECAL, WARNING	GERMAN
59	4605-381-2	DECAL, WARNING	FRENCH
59	4605-381-3	DECAL, WARNING	SPANISH
59	4605-381-4	DECAL, WARNING	ENGLISH
59	4605-381-6	DECAL, WARNING	JAPANESE
59	4605-381-7	DECAL, WARNING	SWEDISH
59	4605-381-8	DECAL, WARNING	RUSSIAN
59	4605-381-A	DECAL, WARNING	DANISH
59	4605-381-D	DECAL, WARNING	DUTCH
60	13230-598-1	BICEP/TRICEP PRESS PLACARD	GERMAN
60	13230-598-2	BICEP/TRICEP PRESS PLACARD	FRENCH
60	13230-598-3	BICEP/TRICEP PRESS PLACARD	SPANISH

60	13230-598-4	BICEP/TRICEP PRESS PLACARD	ENGLISH
60	13230-598-6	BICEP/TRICEP PRESS PLACARD	JAPANESE
60	13230-598-7	BICEP/TRICEP PRESS PLACARD	SWEDISH
60	13230-598-8	BICEP/TRICEP PRESS PLACARD	RUSSIAN
60	13230-598-A	BICEP/TRICEP PRESS PLACARD	DANISH
60	13230-598-D	BICEP/TRICEP PRESS PLACARD	DUTCH
62	13040-100	TRIM EDGE KIT	
63	13000-399	VR PLAQUE	
65	13000-208	P/ LATCH	
66	13040-322-90	FRONT PANEL	Platinum Sparkle
66	13040-322-91	FRONT PANEL	Textured White
66	13040-322-92	FRONT PANEL	Silver Vein
66	13040-322-95	FRONT PANEL	Black Chrome
66	13040-322-97	FRONT PANEL	Textured Black
66	13040-322-98	FRONT PANEL	Custom Paint
66	13040-322-99	FRONT PANEL	Metal Tone Gold
67	13040-324-90	BACK PANEL	Platinum Sparkle
67	13040-324-91	BACK PANEL	Textured White
67	13040-324-92	BACK PANEL	Silver Vein
67	13040-324-95	BACK PANEL	Black Chrome
67	13040-324-97	BACK PANEL	Textured Black
67	13040-324-98	BACK PANEL	Custom Paint
67	13040-324-99	BACK PANEL	Metal Tone Gold
74	13000-398	DECAL, CYBEX	
75	11040-790	DECAL. MADE IN USA	
84	13000-344	TRIM, CURVED	

85	13000-345	TRIM, STRAIGHT
K1	13000K003	KIT, WATER BOTTLE HOLDER

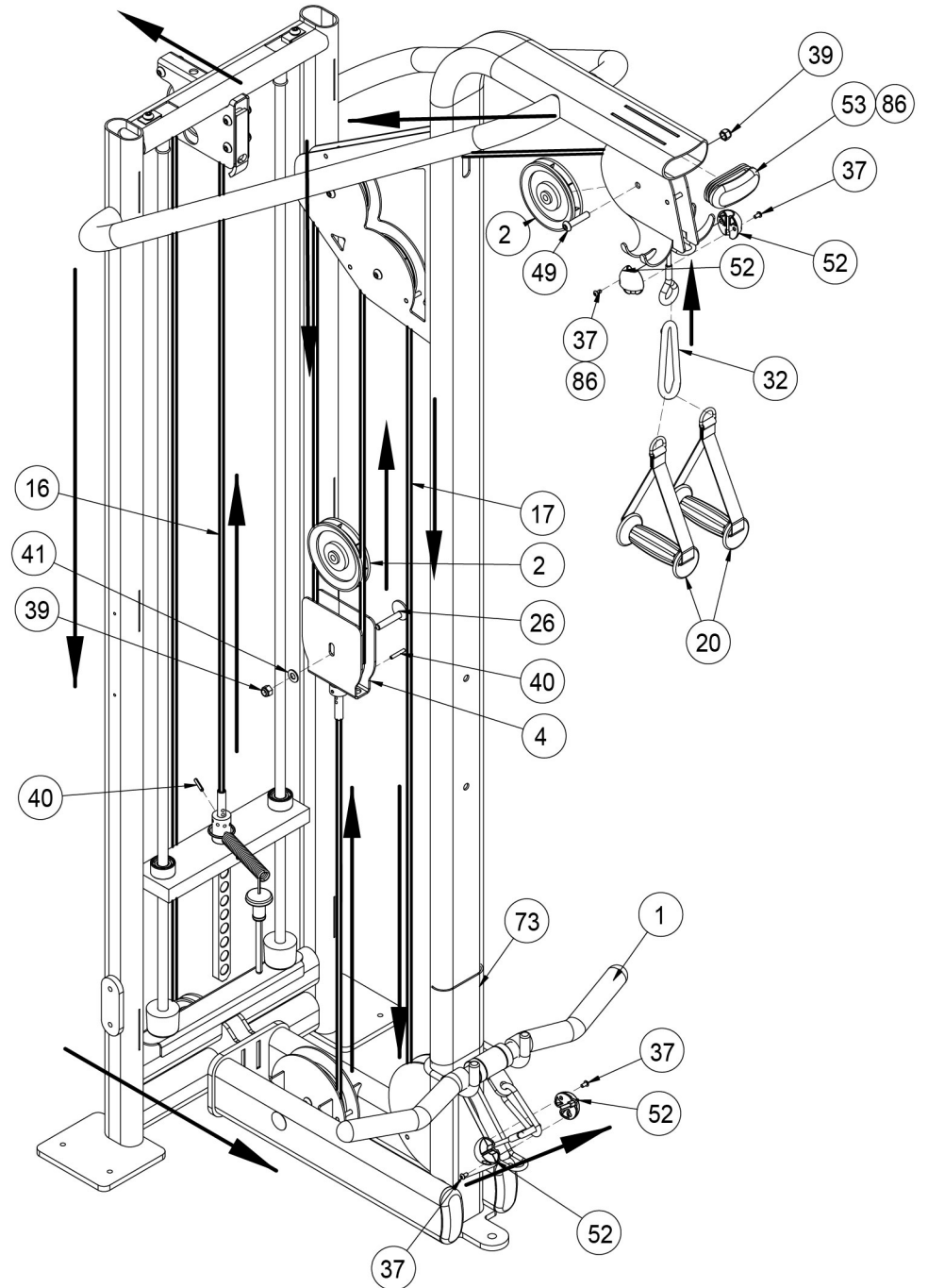
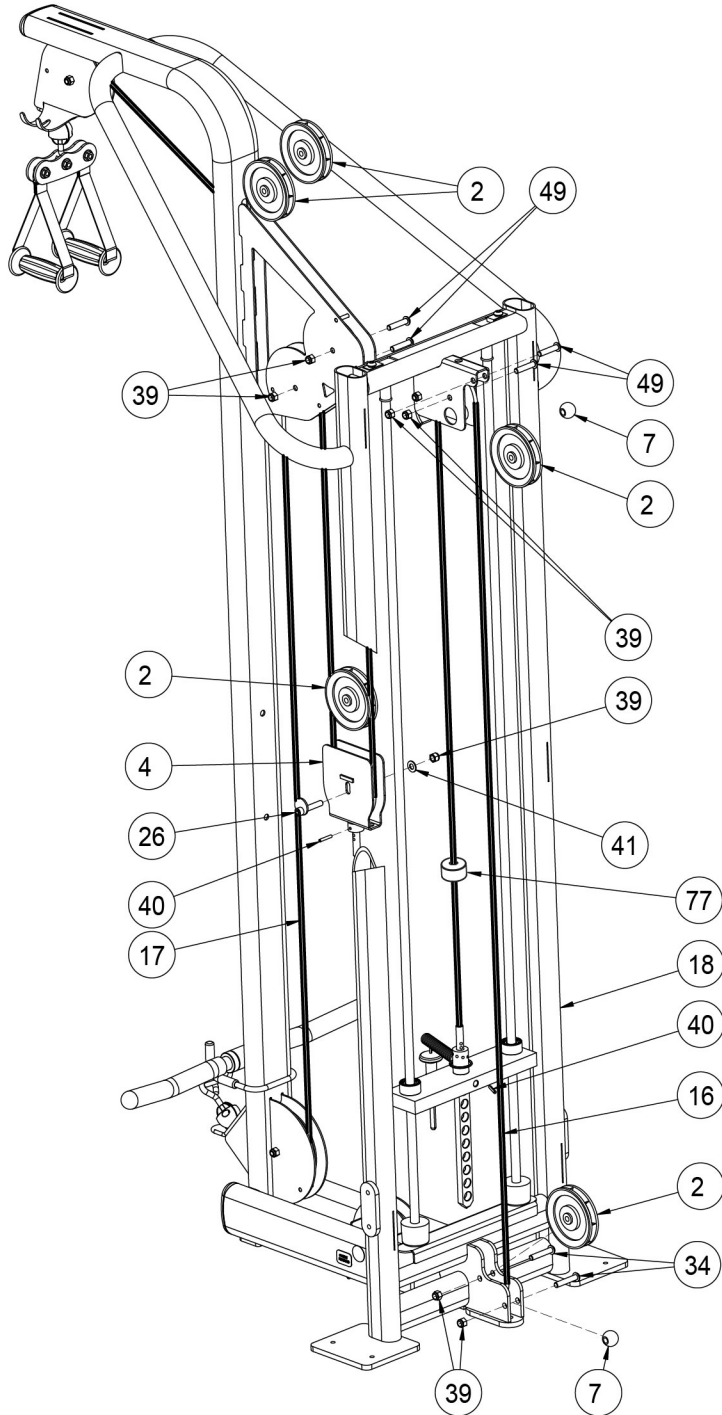
# 13230 Bicep/Tricep Lower Frame Assembly



<u>Bulb Number</u>	<u>Part Number</u>	<u>Description</u>
2	8014	PULLEY ASSEMBLY, 4.50 IN.
3	8020	PULLEY ASSEMBLY, 6.00 INCH
7	13000-322	ROLLER
9	13000-353	FOOT PAD
11	13000-400	WATER BOTTLE HOLDER
12	13000-403	MOUNT, WATER BOTTLE HOLDER
14	13130-201	LEG RH
15	13130-202	LEG LH
18	13230-200	MAIN FRAME
25	8620-336	GRIP, FOAM
34	HC700426	BHSCS .375-16 X 2.00
35	HC700430	BHSCS .375-16 X 2.50
39	HN704901	LOCKNUT, .375-16 NYLON
43	HS-60531	BOLT, BHSC .375-16 X .75 BLK ZINC
44	HS-60536	BOLT, BHSC .375-16 x 2.00 BLK ZINC
45	HT512517	TAP SC 10-24 X 1.00 TYPE WB PN HD PHIL BLK
46	HT552515	TAP SC NO. 8-16 X? .75 PLASTITE PN HD PHIL BLK
47	HW-60085	WASHER, USS .312 BLK ZINC
49	JC700424	BHSCS .375-16 X 1.75
50	JS347400	LOCKWASHER, INT TOOTH .375
51	PN660200	INSERT, PLASTIC
53	PP130002	INSERT, DOMED PLASTIC
54	PP130003	INSERT, DOMED PLASTIC
56	PR070004	FOOT PAD, 3.00 x 5.00
57	4800-188	CUSHION S/A, 10 X 18 MOLDED

86	YA000201	LOCTITE .02 OZ #242, BLUE
K1	13000K003	KIT, WATER BOTTLE HOLDER

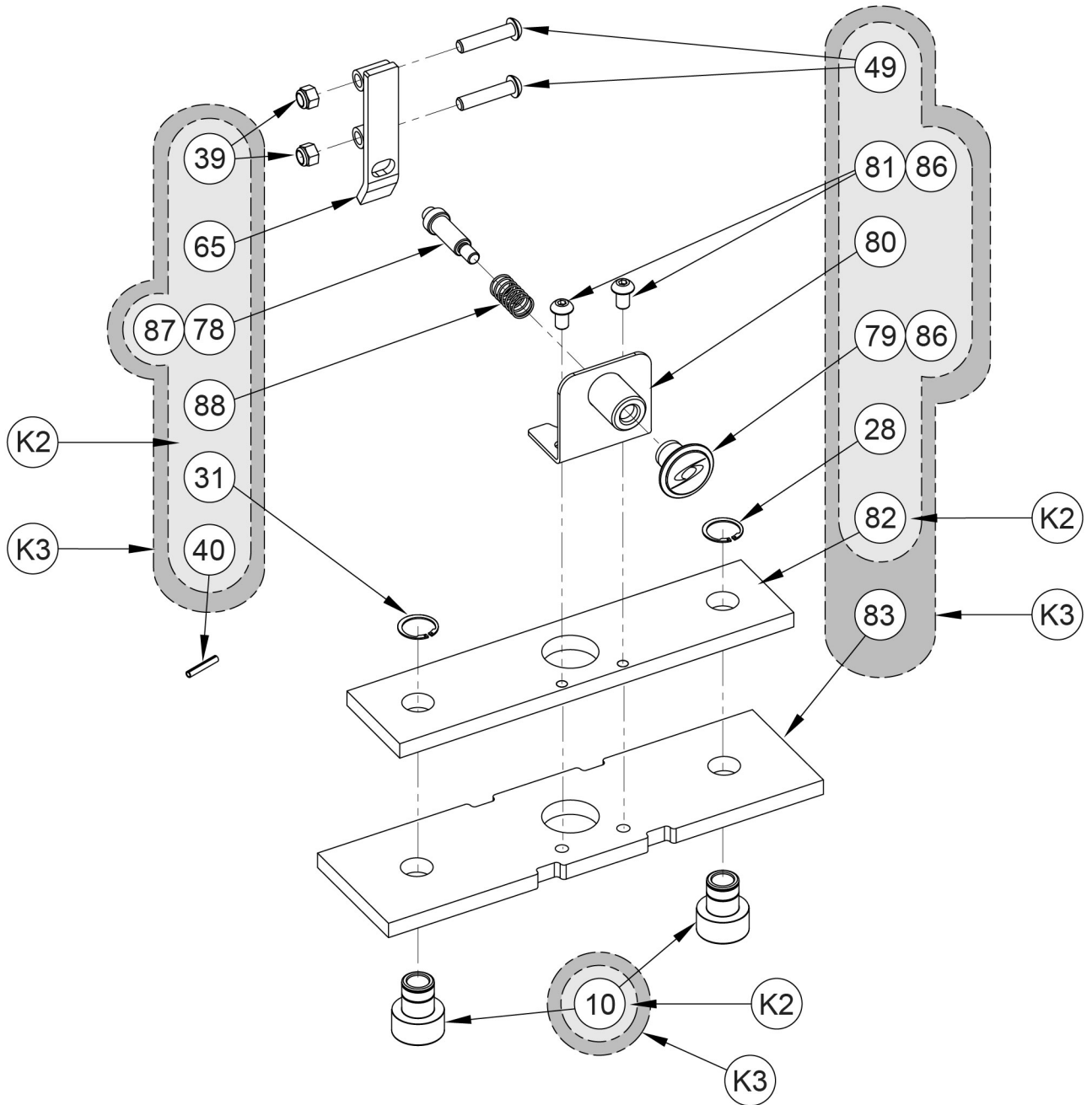
# 13230 Bicep/Tricep Cable Routing





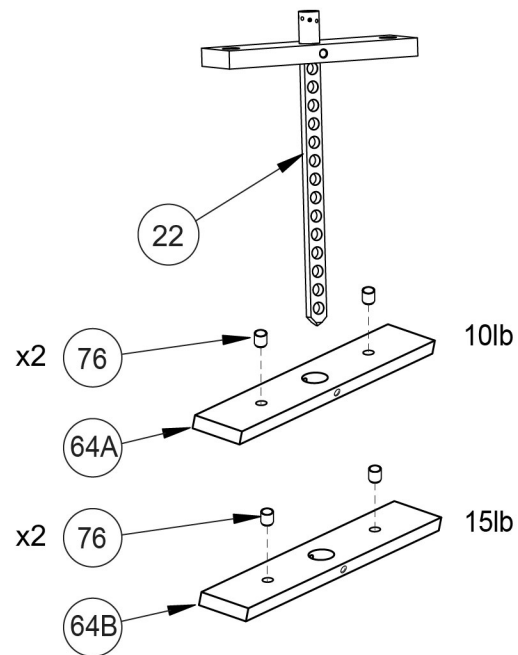
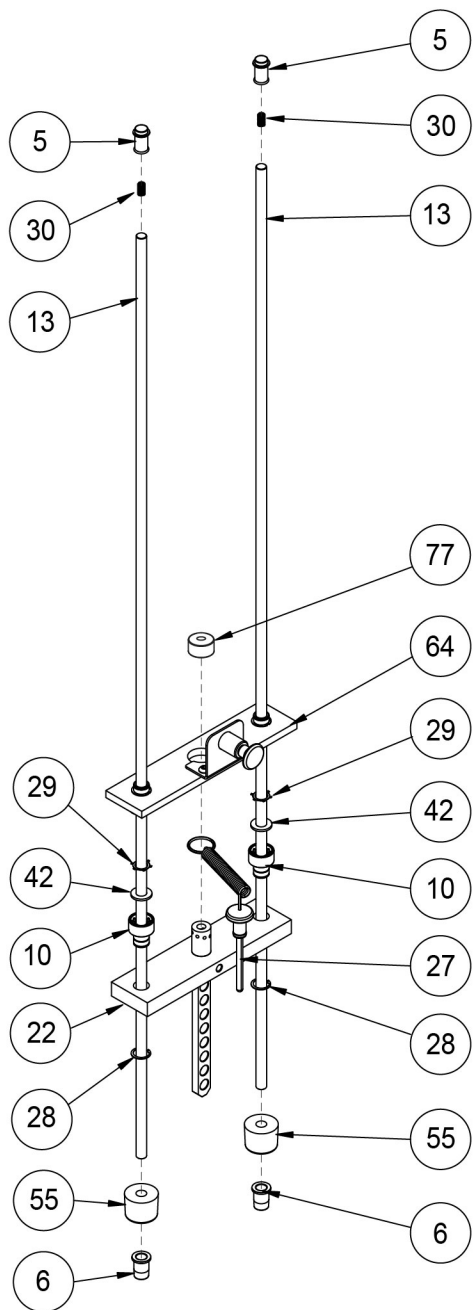
<u>Bulb Number</u>	<u>Part Number</u>	<u>Description</u>
1	2204	HANDLE SUBASSEMBLY
2	8014	PULLEY ASSEMBLY, 4.50 IN.
4	11000-212	W FLOATING PULLEY
7	13000-322	ROLLER
16	13230-002	CABLE SUBASSEMBLY
17	13230-003	CABLE SUBASSEMBLY
18	13230-200	MAIN FRAME
20	12220-005	HAND ASSEMBLY
26	8650-204	CAM BOLT
32	GQ000206	SNAP LINK
34	HC700426	BHSCS .375-16 X 2.00
37	HM580410	10-32 X .25 LG
39	HN704901	LOCKNUT, .375-16 NYLON
40	HP286819	SPIRAL PIN .188 X 1.12
41	HS347600	WASHER, SAE .375
49	JC700424	BHSCS .375-16 X 1.75
52	PP040004	BALL STOP
53	PP130002	INSERT, DOMED PLASTIC
73	13230-309	PAD, NON SLIP BIMPER
77	13000-385	BUMPER STOP
86	YA000201	LOCTITE .02 OZ #242, BLUE

# 13230 Bicep/Tricep Half Weight Assembly

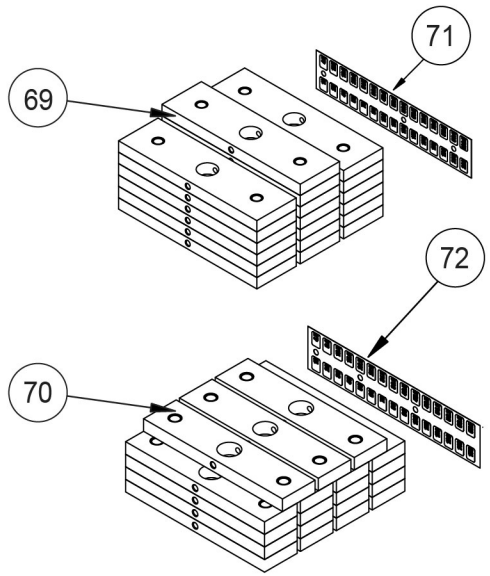


<u>Bulb Number</u>	<u>Part Number</u>	<u>Description</u>
10	13000-364	BEARING, FLANGE
28	BR030206	RETAINING RING
39	HN704901	LOCKNUT, .375-16 NYLON
40	HP286819	SPIRAL PIN .188 X 1.12
49	JC700424	BHSCS .375-16 X 1.75
65	13000-208	P/ LATCH
78	8229	PIN, DETENT
79	11040-440	KNOB
80	13000-206	W/ HALF WEIGHT LATCH
81	HC700414	BHSCS .375-16 X .625
82	13000-352	C HALF WEIGHT 5 LBS
83	13000-363	C HALF WEIGHT 7.5 LBS
86	YA000201	LOCTITE .02 OZ #242, BLUE
87	YG000002	PLEASE USE WHITE LITHIUM GREASE
88	BS070201	COM SPRING .56 x .66 1.50 LG
K2	13000K004	KIT, HALF WEIGHT 5 LBS
K3	13000K005	KIT, HALF WEIGHT 7.5 LBS

# 13230 Bicep/Tricep Weight Assembly



## WEIGHT PLATE DETAIL



<b><u>Bulb Number</u></b>	<b><u>Part Number</u></b>	<b><u>Description</u></b>
5	12210-347	GUIDE ROD CAP
6	12210-348	GUIDE ROD CAP
10	13000-364	BEARING, FLANGE
13	13040-336	WT ROD .625 DIA X 66.43
22	4700C073	C/TOP WT 10-3 x 12
27	BH030207	Pin, Weight Selector
28	BR030206	RETAINING RING
29	BR030220	Internal Retaining Ring 1.250
30	BS070208	COMPRESSION SPRING
42	HS720004	Felt Washer, .641 1.250 .125 T
55	PR060005	BUMPER, WEIGHT
64	13000-101	HALF WEIGHT OPTION 5LBS
64	13000-102	HALF WEIGHT OPTION 7.5LB
68A	4700-337	10 LB WEIGHT PLATES
68B	4700-338	WEIGHT PLATE 15 LB
69	13000-030	WEIGHT PLATE PACK (LIGHT)
70	13000-034	WEIGHT PLATE PACK (STANDARD)
71	4800-557	WT PLATE DECAL (10-150)
72	13000-552	DECAL, WEIGHT PLATE 10-220
76	FB130216	BUSHING, WEIGHT STACK
77	13000-385	BUMPER STOP