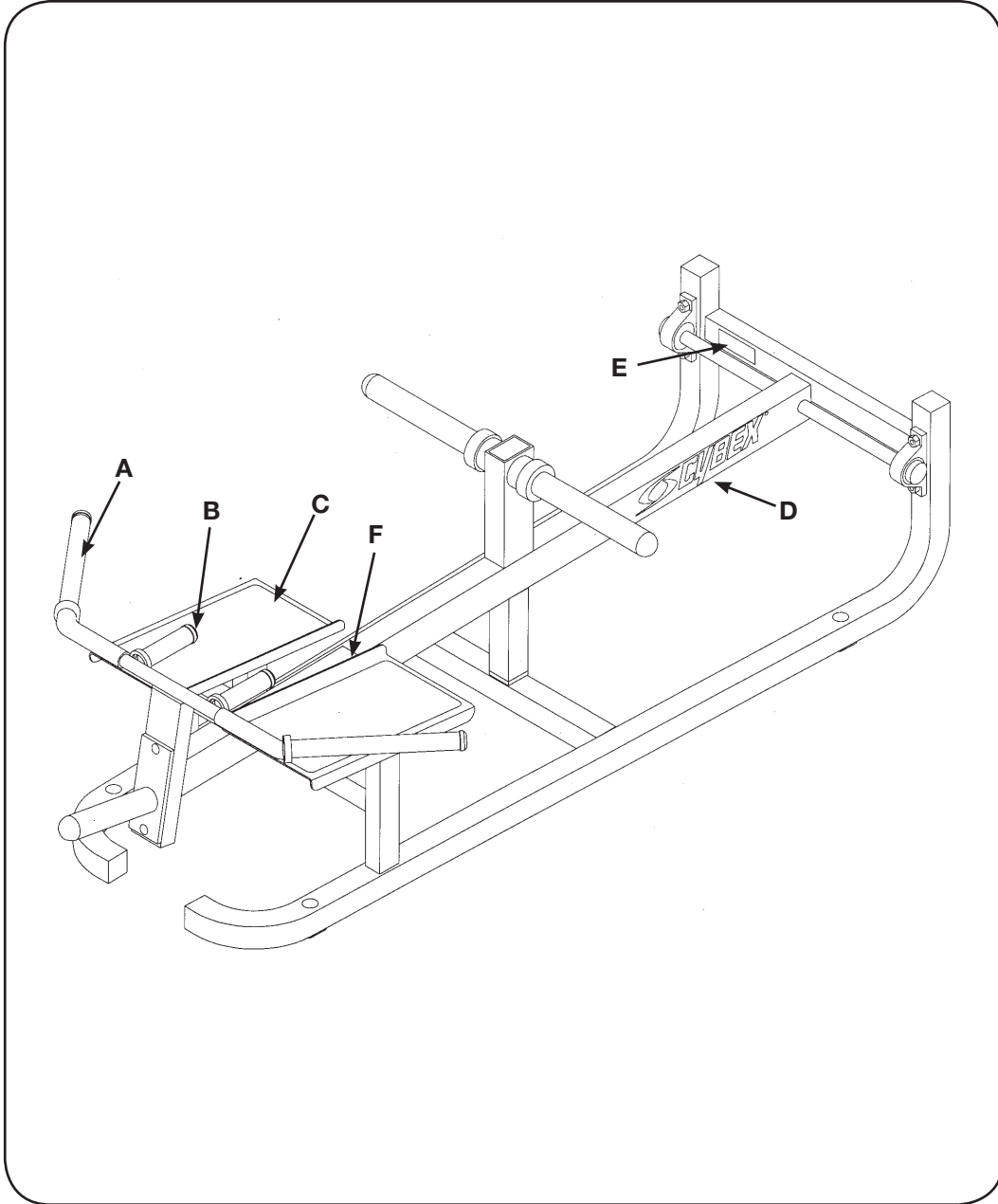


T-BAR ROW

PRODUCT NO. 5580



DESCRIPTION	PART NO.	DESCRIPTION	PART NO.
A. Grip	PR400202	D. Cybex Decal Black	3900-443
B. Hand Grip	4605-514	D. Cybex Decal Silver	3900-444
C. Non-Slip Fabric	5580-325	E. Serial Number Decal	
		F. Warning Decal	5220-364

5580 - T-Bar Row

ITEM	QTY	PART NO.	DESCRIPTION
1	2	01190	Vinyl End Cap
2	2	4000-100	Pillow Block Bearing
3	2	3900-443	Removed 7-03
3	2	3900-444	Cybox 1.57 Horiz. Black
3	2	3900-444	Cybox 1.57 Horiz. Silver
4	3	5330M040	Plug
5	1	5580-203	Weight Bracket
6	1	5580-314	Weight Tube
7	1	5580-324	Shim
8	2	5580-325	Non-Slip Fabric
9	2	HN704901	Nylon Locknut .375-16
10	4	HN784900	Nylon Locknut .500-13
11	3	HY622910	Set Screw .250-20 x .375
12	1	JC620415	BHSCS .250-20 x .75
13	2	JC700930	FHSCS .375-16 x 2.50
14	4	JC782836	SHCS .500-13 x 3.25

ITEM	QTY	PART NO.	DESCRIPTION
15	4	PP080202	Plastic Insert 1.19 Dia x 11 G
16	4	PP090210	Plastic Insert 2.00 Sq x 10-14 G
17	1	PP090202	Plastic Insert 1.50 x 3.00 x 11 G
18	1	PP090206	Plastic Insert
19	2	4605-514	Hand Grip
20	2	4605-525	Grip
21	2	PU060204	Bumper
22	1	5580-201	Base
23	1	5580-202	Upper Frame
24	1	5520-364	Warning Decal
25	2	5220-367	Spacer
26	4	11090-374	End Cap
27	4	11090-376	Handle Grip Ring
28	1	51198	Strength Warranty Sheet (not shown)
29	4	HF449063	Insert
30	4	JC620422	BHSCS .250-20 x 1.50

5580 - T-Bar Row

