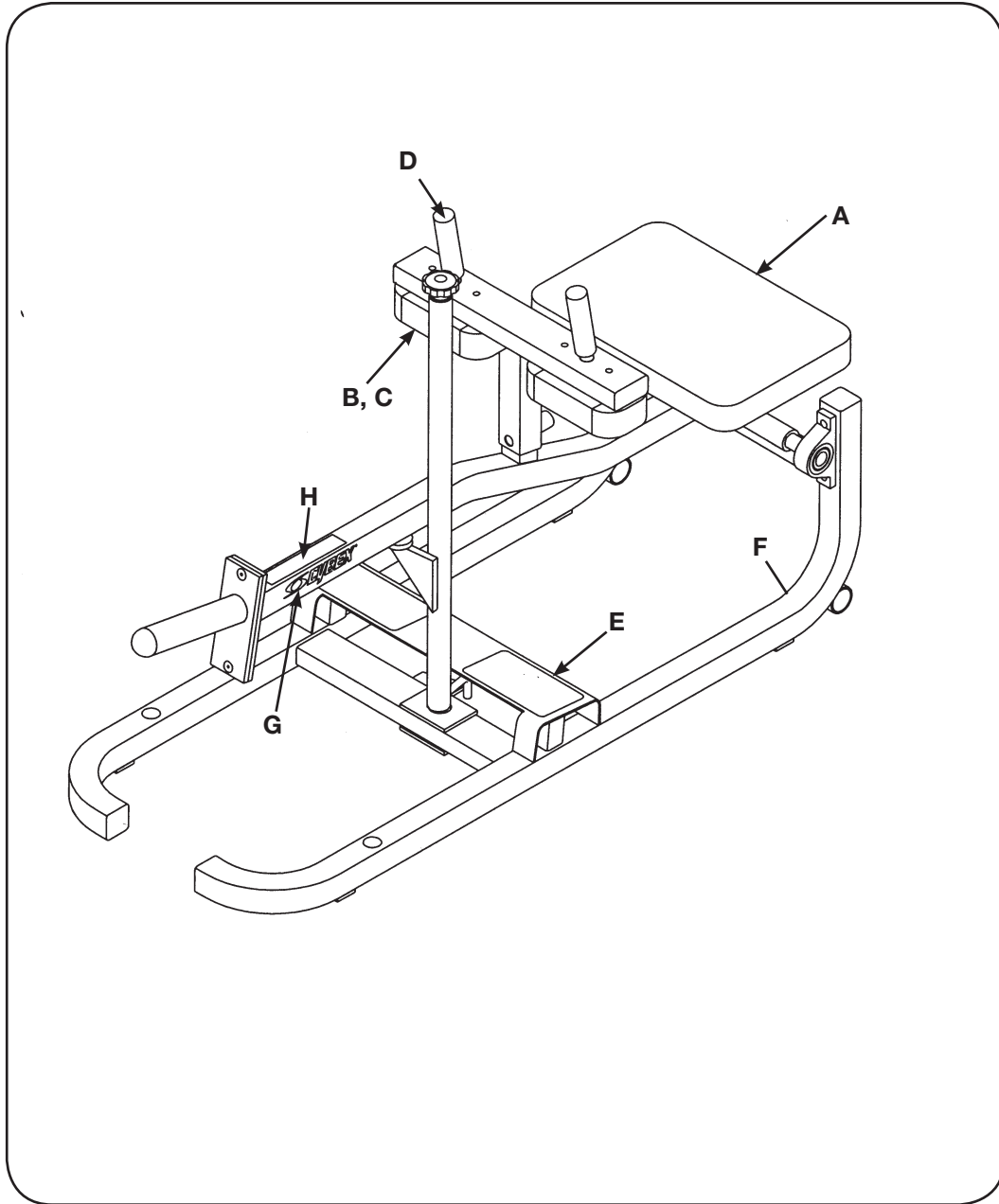


SEATED CALF

PRODUCT NO. 5450



DESCRIPTION	PART NO.	DESCRIPTION	PART NO.
A. Seat Cushion	5207S043-0	E. Non-Slip Fabric	4015M116
B. Knee Cushion w/Wear Cover	4800-101	F. Serial Number Decal	
C. Wear Cover (Item B)	4800-101	G. Cybex Decal Black	3900-443
D. Hand Grip	4605-514	G. Cybex Decal Silver	3900-444
E. Non-Slip Fabric	4015M116	H. Warning Decal	5220-364

5450 - Seated Calf

ITEM QTY	PART NO.	DESCRIPTION
23		Removed
24	PP080202	Plastic Insert 1.19 Dia. x 11 G
25	PP090210	Plastic Insert 2.00 Sq x 10-14 G
26	PP090202	Plastic Insert 1.5 x 3.0 x 11 G
27	4605-514	Hand Grip
28	PP460013	Plastic Knob .500-13 x 1.00
29	PP460200	Plastic Knob .312-18
30	PR060003	Recess Bumper
31	52975943-0	Seat Cushion
32	600-50	Knee Cushion
33	HC163430	BHSCS .375-16 X 2.50
34		Removed
35		Removed
36	4121K117	Detent Pin Kit
37	4800-101	Wear Cover
38	5220-364	Warning Decal
39	01190	Vinyl Cap
40	5500-302	Adjusting Tube Decal
41	11090-374	End Cap
42	11090-376	Handle Grip Ring
43	51198	Strength Warranty Sheet (not shown)
44	HF449063	Insert
45	JC620422	BHSCS .250-20 x 1.50
46	JS347400	Internal Tooth Lockwasher

ITEM QTY	PART NO.	DESCRIPTION
1	2400M171	Bearing Block
2	4000M218	Detent Pin
3	4000-100	Pillow Block Bearing
4	4015M116	Non-Slip Fabric
5	3900-443	Cybox Decal 1.00 Horiz. Black
5		Removed 7-03
5	3900-444	Cybox Decal 1.00 Horiz. Silver
6	5320-209	Weight Bracket
7	5330M040	Plug
8	5450-200	Frame
9	5450-201	Support Bar
10	5450-204	Pivot Tube
11	5450-302	Spacer
12	5580-324	Shim
13	5450-203	Adjusting Cushion Tube
14	BS070201	Com Spring .56 x .66 x 1.50 L
15	FB050202	Sleeve Bearing 1.00 x 1.25 x 1.00 L
16	FB050217	Flange Bearing 1.00 x 1.25 x 1.50 L
17	HN704901	Nylon Locknut .375-16
18	HN784900	Nylon Locknut .500-13
19	HS357600	Flat Washer .531 x 1.50 x .070 T
20	JC620412	BHSCS .250-20 x .50
21	JC700920	FHSCS .375-16 x 1.25
22	JC782836	SHCS .500-13 x 3.25

5450 - Seated Calf

