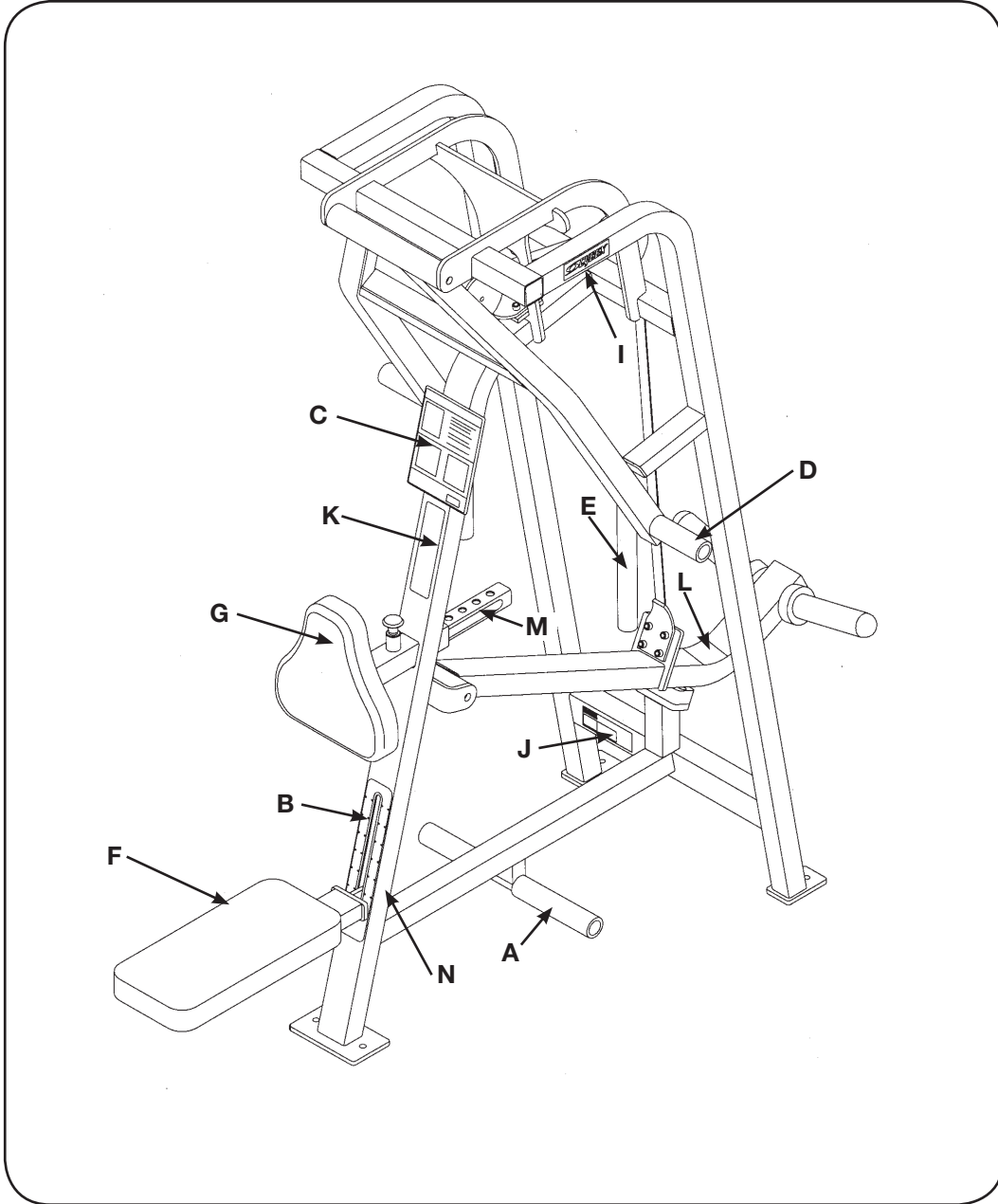


ROW

PRODUCT NO. 5265



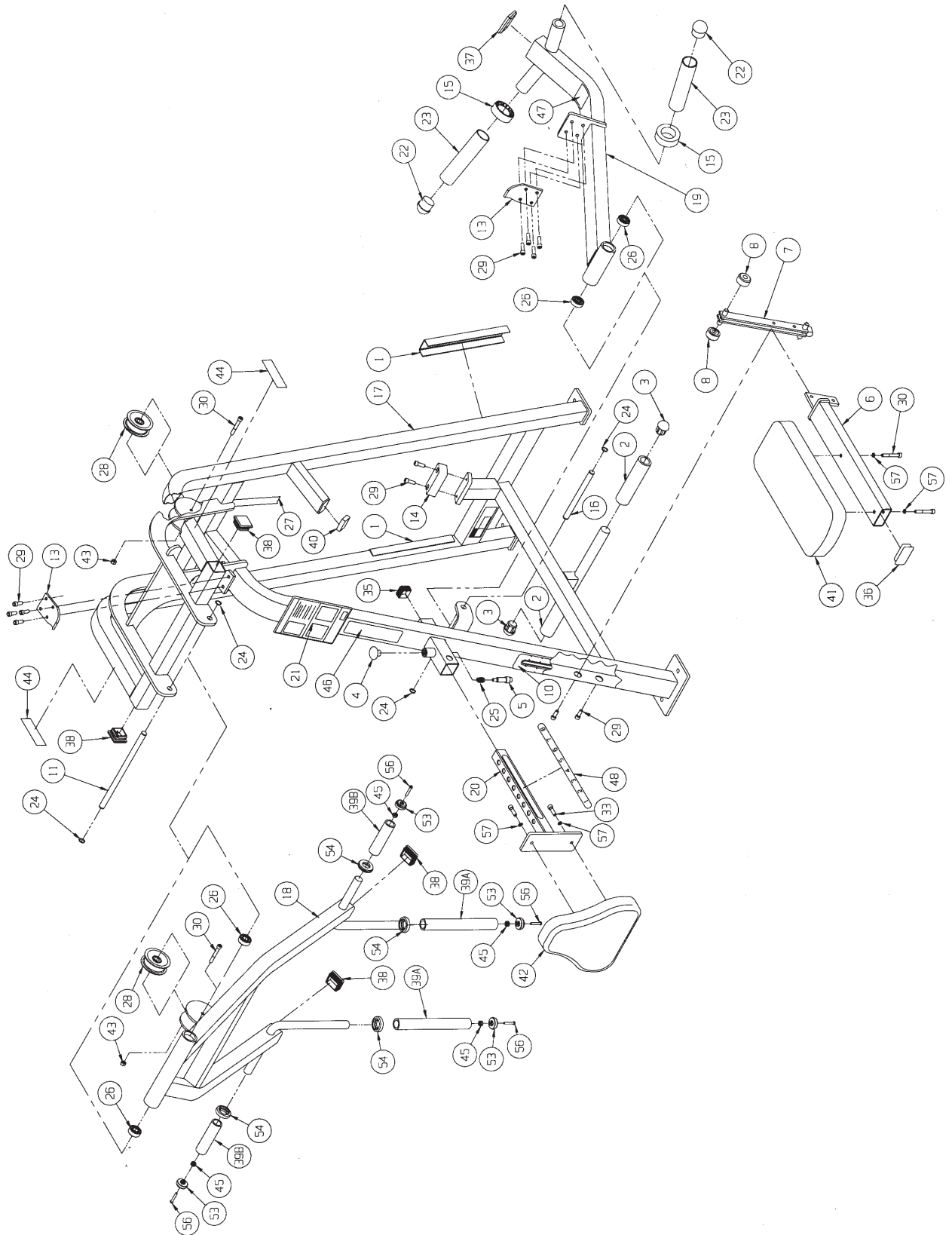
DESCRIPTION	PART NO.	DESCRIPTION	PART NO.
A. Rubber Grip	02022	I. Cybex Decal Black	3900-445
B. Adjustable Seat Decal	5221-316	I. Cybex Decal Silver	3900-446
C. Placard Decal	5265-598	J. Serial Number Decal	
D. Grip 4.75	4605-510	K. Warning Decal	5220-364
E. Grip 9.00	4605-502	L. Caution Decal	4000Y316
F. Seat Cushion	4800-024	M. Adjusting Tube Decal ...	4520-357
G. Chest Cushion	4800-026	N. Caution Decal.....	4520-362
H. Removed			

Cybox Plate Loaded Owner's Manual

5265 - Row

ITEM	QTY	PART NO.	DESCRIPTION
1	2	01442	Machined Bumper
2	2	11190-350	Rubber Grip 7" long
3	2	08001	Plug
4	1	11040-440	Cybox Knob
5	1	08229	Detent Pin
6	1	4520-204	Seat Tube
7	1	4520-212	Seat Roller
8	2	4520-331	Roller
9			Removed
10	1	5221-316	Seat Adjustment Decal
11	1	4605-334	Pivot Shaft 13.06
12			Removed 7-03
13	2	4620-336	Belt Bracket
14	1	5220-305	Bumper 2.00 x 4.00
15	2	5220-367	Spacer
16	1	5220-320	Pivot Shaft 7.06
17	1	5265-200	Frame
18	1	5265-201	Arm
19	1	5265-203	Input Pivot Arm
20	1	5265-205	Cushion Tube
21	1	5265-598	Placard Decal
22	2	5330M040	Plug
23	2	5490P010	Weight Tube 8.00"
24	4	BR030210	Retaining Ring 17 mm
25	1	BS070201	Com. Spring .56 x .66 x 1.50 L
26	4	FB030232	Radial Bearing 17 mm ID
27	72"	GB000202	Belt .95" Wide
28	2	GP000209	Pulley Assembly 3.50
29	12	HC702817	SHCS .375-16 x 1.00
30	4	HC702830	SHCS .375-16 x 2.50
31			Removed
32			Removed 7-03
33	2	HC702826	SHCS .375-16 x 2.00
34			Removed
35	1	PP090200	Plastic Insert 1.75 Sq x 11 G
36	1	PP090202	Plastic Insert 1.50 x 3.00 x 11 G
37	1	PP090206	Plastic Insert 2.00 x 3.00 x 11 G
38	4	PP090210	Plastic Insert 2.00 Sq x 10-14 G
39 A	2	4605-502	Grip 9.00" L
39 B	2	4605-510	Grip 4.75" L
40	1	PL4669903	Bumper
41	1	4800-024	Seat Cushion
42	1	4800-026	Chest Cushion with Wear Cover
43	2	HN704901	Locknut .375-16 Nylon
44	2	3900-445	Cybox Decal 1.00 Horiz. Black
44			Removed 7-03
44	2	3900-446	Cybox Decal 1.00 Horiz. Silver
45	4	HF449063	Tube Insert
46	1	5220-364	Warning Decal
47	1	4000Y316	Caution Decal
48	1	4520-357	Adjusting Tube Decal
49	1	4520-213	Bracket
50	1	4520-362	Caution Decal
51	2	HS347700	Washer USS .375
52	2	JC702812	SHCS .375-16 x .50
53	4	11090-374	End Cap
54	4	11090-376	Handle Grip Ring
55	1	51198	Strength Warranty Sheet (not shown)
56	4	HC620422	BHSCS .250-20 x 1.50
57	4	JS347400	Internal Tooth Lockwasher

5265 - Row



5265 Row

