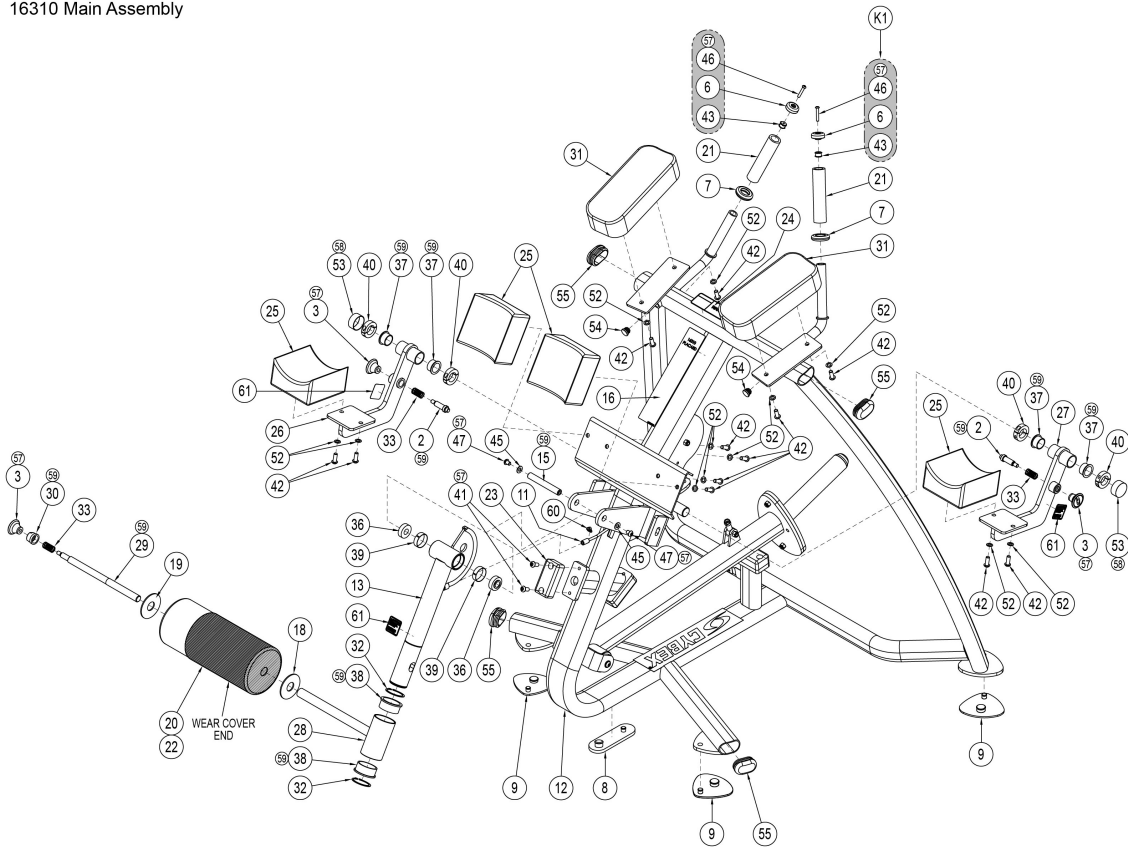


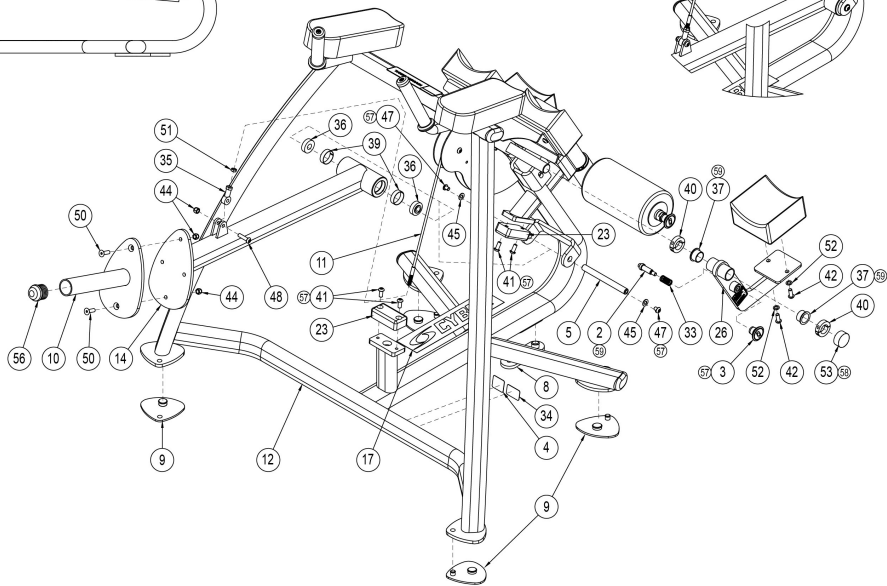
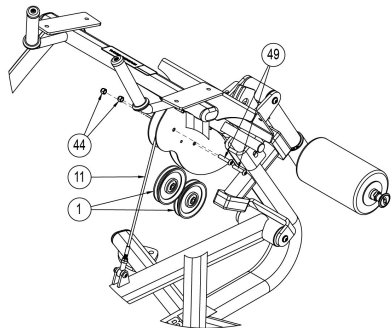
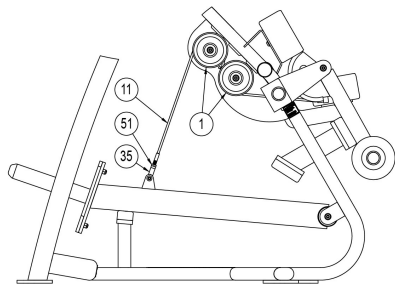
# 16310 Main Assembly



2	08229	P/PIN,DETENT	
3	11040-440	KNOB	
6	11090-374	END CAP	
7	11090-376	RING, HANDLE GRIP	
8	13000-353	FOOT PAD	
9	16010-311	FOOT PAD	
11	16310-002	CABLE, SUBASSEMBLY	
12	16310-200	WELDMENT, FRAME	
13	16310-202	WELDMENT, CAM PIVOT ARM	
15	16310-320	SHAFT, PMOT	
16	16310-598-1	PLACARD, PL LEG CURL	GERMAN
16	16310-598-2	PLACARD, PL LEG CURL	FRENCH
16	16310-598-3	PLACARD, PL LEG CURL	SPANISH
16	16310-598-4	PLACARD, PL LEG CURL	ENGLISH
16	16310-598-6	PLACARD, PL LEG CURL	JAPANESE
16	16310-598-7	PLACARD, PL LEG CURL	SWEDISH
16	16310-598-8	PLACARD, PL LEG CURL	RUSSIAN
16	16310-598-A	PLACARD, PL LEG CURL	DANISH
16	16310-598-D	PLACARD, PL LEG CURL	DUTCH
18	4030C138	C/SPACER	
19	4030P144	P/SPACER	
20	4121S067-0	CUSHION SA, RD 5.5	
21	4605-500	GRAB GRIP 6.00	
22	4121S068-0	WEAR COVER	
23	5220-305	2.00 X 4.00 BUMPER	
24	DE000003-1	DECAL, WARNING	GERMAN
24	DE000003-2	DECAL, WARNING	FRENCH
24	DE000003-3	DECAL, WARNING	SPANISH
24	DE000003-4	DECAL, WARNING	ENGLISH
24	DE000003-6	DECAL, WARNING	JAPANESE
24	DE000003-7	DECAL, WARNING	SWEDISH
24	DE000003-8	DECAL, WARNING	RUSSIAN
24	DE000003-A	DECAL, WARNING	DANISH
24	DE000003-D	DECAL, WARNING	DUTCH
25	5240-005-0	CUSHION SA, 6 X 6 CONTOUR	
26	5240-203	W CUSHION MOUNT (LH)	
27	5240-204	W CUSHION MOUNT (RH)	
28	5240-205	WELDED ROLLER	
29	5240-324	DETENT PIN	
30	5240-329	RETAINER	
31	4800-017	LEG/FOREARM PAD	
32	BR030213	RETAINING RING, 2.00 EXTERNAL	
33	BS070201	COM SPRING .56 x .66 1.50 LG	
36	FB030232	BEARING, RADIAL 17 mm EXT RACE	
37	FB050224	BRG, FLG NYL 1.12 X 1.28 X .75	
38	FB130206	BEARING, FLANGE 2.00 ID. x 2.25 OD. x 1.00 LG	
39	FC030006	TOLERANCE RING 1.575 ID	
40	FC030204	COLLAR, TWO PIECE - 1.125 DIA	
41	HC700416	BHSCS .375-16 X .875	

42	HC700417	BHSCS .375-16 X 1.00	
43	HF449063	INSERT 3/4 X 1/4-20	
45	HS347600	WASHER, SAE .375	
46	JC620422	BHSCS .250-20 x 1.50	
47	JC700412	BHSCS .375-16 X .50	
52	JS347400	LOCKWASHER, INT TOOTH .375	
53	PP080211	CAP, 1.625 ID x .75 PLASTIC	
54	PP090213	INSERT PLASTIC	
55	PP130003	INSERT, DOMED PLASTIC	
57	YA000201	ADH, THRD LKR, REM NO. 242	
58	YA000209	ADH BNDG CYANOACRYLATE GEL	
59	YG000002	PLEASE USE WHITE LITHIUM GREASE	
60	PN149101	CLAMP, HOSE, SNAP GRIP	
61	8500-025-1	DECAL, CAUTION	GERMAN
61	8500-025-2	DECAL, CAUTION	FRENCH
61	8500-025-3	DECAL, CAUTION	SPANISH
61	8500-025-4	DECAL, CAUTION	ENGLISH
61	8500-025-6	DECAL, CAUTION	JAPANESE
61	8500-025-7	DECAL, CAUTION	SWEDISH
61	8500-025-8	DECAL, CAUTION	RUSSIAN
61	8500-025-A	DECAL, CAUTION	DANISH
61	8500-025-D	DECAL, CAUTION	DUTCH
K1	11090K006	KIT, HANDLE END CAPS	

# 16310 Front Assembly



1	08014	PULLEY ASSEMBLY, 4.50 IN.
2	08229	P/PIN, DETENT
3	11040-440	KNOB
4	11040-790	DECAL, MADE IN USA
5	11090-370	SHAFT, PIVOT
8	13000-353	FOOT PAD
9	16010-311	FOOT PAD
10	16210-204	P/ WEIGHT BRACKET
11	16310-002	CABLE, SUBASSEMBLY
12	16310-200	WELDMENT, FRAME
14	16310-203	WELDMENT, PIVOT ARM
17	3900-447	DECAL CYBEX 1.94 HOR BLACK
17	3900-448	DECAL CYBEX 1.94 HOR SILVER
23	5220-305	2.00 X 4.00 BUMPER
26	5240-203	W CUSHION MOUNT (LH)
33	BS070201	COM SPRING .56 x .66 1.50 LG
34	CM000245	DECAL, CAPACITY
35	FB030213	ROD END BEARING FEMALE .375-24 UNF
36	FB030232	BEARING, RADIAL 17 mm EXT RACE
37	FB050224	BRG, FLG NYL 1.12 X 1.28 X .75
39	FC030006	TOLERANCE RING 1.575 ID
40	FC030204	COLLAR, TWO PIECE - 1.125 DIA
41	HC700416	BHSCS .375-16 X .875
42	HC700417	BHSCS .375-16 X 1.00
44	HN704901	LOCKNUT, .375-16 NYLON
45	HS347600	WASHER, SAE .375
47	JC700412	BHSCS .375-16 X .50
48	JC700422	BHSCS .375-16 X 1.50
49	JC700424	BHSCS .375-16 X 1.75
50	JC700920	FHSCS .375-16X1.25
51	JN714400	NUT, HEX JAM .375-24 UNF
52	JS347400	LOCKWASHER, INT TOOTH .375
53	PP080211	CAP, 1.625 ID x .75 PLASTIC
56	PP130006	INSERT, PLASTIC END
57	YA000201	ADH, THRD LKR, REM NO. 242
58	YA000209	ADH BNDG CYANOACRYLATE GEL
59	YG000002	PLEASE USE WHITE LITHIUM GREASE