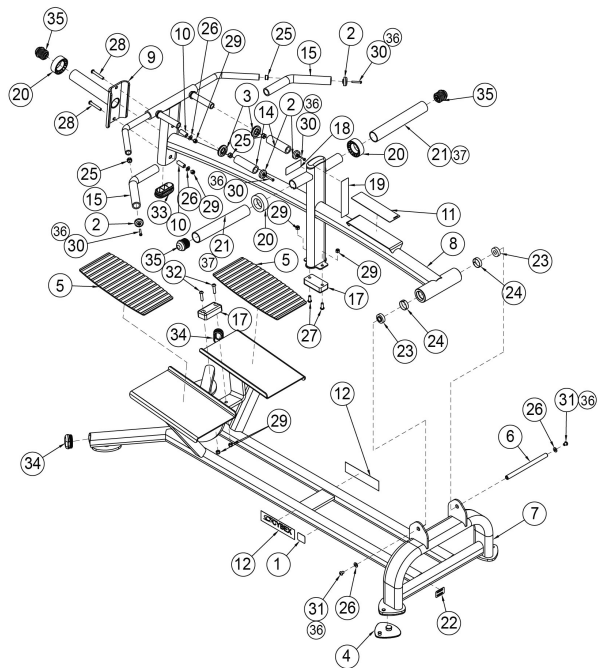


16280 Assembly Detail



1	11040-790	DECAL, MADE IN USA	
2	11090-374	END CAP	
3	11090-376	RING, HANDLE GRIP	
4	16010-311	FOOT PAD	
5	16020-325	NON-SLIP	
6	16210-329	PIVOT SHAFT	
7	16280-200	W/FRAME	
8	16280-201	W/ARM	
9	16280-202	W/ WEIGHT TUBE	
10	16280-322	SPACER, TUBE	
11	16280-598-1	PLACARD PLATE LOADED T-BAR ROW	GERMAN
11	16280-598-2	PLACARD PLATE LOADED T-BAR ROW	FRENCH
11	16280-598-3	PLACARD PLATE LOADED T-BAR ROW	SPANISH
11	16280-598-4	PLACARD PLATE LOADED T-BAR ROW	ENGLISH
11	16280-598-6	PLACARD PLATE LOADED T-BAR ROW	JAPANESE
11	16280-598-7	PLACARD PLATE LOADED T-BAR ROW	SWEDISH
11	16280-598-8	PLACARD PLATE LOADED T-BAR ROW	RUSSIAN
11	16280-598-A	PLACARD PLATE LOADED T-BAR ROW	DANISH
11	16280-598-D	PLACARD PLATE LOADED T-BAR ROW	DUTCH
12	3900-445	DECAL, CYBEX BLACK	
12	3900-446	DECAL, CYBEX SILVER	
14	4605-514	GRIP 1.38 OD X .94 ID	
15	4605-525	GRIP	
16	51198	WARRANTY BOOK	
17	5220-305	2.00 X 4.00 BUMPER	
18	5220-337-1	DECAL, WARNING	GERMAN
18	5220-337-2	DECAL, WARNING	FRENCH
18	5220-337-3	DECAL, WARNING	SPANISH
18	5220-337-4	DECAL, WARNING	ENGLISH
18	5220-337-6	DECAL, WARNING	JAPANESE
18	5220-337-7	DECAL, WARNING	SWEDISH
18	5220-337-8	DECAL, WARNING	RUSSIAN
18	5220-337-A	DECAL, WARNING	DANISH
18	5220-337-D	DECAL, WARNING	DUTCH
19	DE000001-1	DECAL, WARNING	GERMAN
19	DE000001-2	DECAL, WARNING	FRENCH
19	DE000001-3	DECAL, WARNING	SPANISH
19	DE000001-4	DECAL, WARNING	ENGLISH
19	DE000001-6	DECAL, WARNING	JAPANESE
19	DE000001-7	DECAL, WARNING	SWEDISH
19	DE000001-8	DECAL, WARNING	RUSSIAN
19	DE000001-A	DECAL, WARNING	DANISH
19	DE000001-D	DECAL, WARNING	DUTCH
20	5220-367	SPACER, PLASTIC	
21	5490P005	P/WEIGHT TUBE 12.00	
22	CM000249	DECAL, WEIGHT CAPACITY	
23	FB030232	BEARING, RADIAL 17 mm EXT RACE	
24	FC030006	TOLERANCE RING 1.575 ID	
25	HF449063	INSERT 3/4 X 1/4-20	

26	HS347600	WASHER, SAE .375		
27	HC700417	BHSCS .375-16 X 1.00		
28	HC700430	BHSCS .375-16 X 2.50		
29	HN704901	LOCKNUT, .375-16 NYLON		
30	JC620422	BHSCS .250-20 x 1.50		
31	JC700412	BHSCS .375-16 X .50		
32	JC700422	BHSCS .375-16 X 1.50		
33	PP130002	INSERT, DOMED PLASTIC		
34	PP130003	INSERT, DOMED PLASTIC		
35	PP130006	INSERT, PLASTIC END		
36	YA000201	ADH, THRD LKR, REM NO. 242		
37	YA000226	LOCTITE #680 .5 MI		
38	16280-999-1	MANUAL, OWNER'S	GERMAN	NOT SHOWN
38	16280-999-2	MANUAL, OWNER'S	FRENCH	NOT SHOWN
38	16280-999-3	MANUAL, OWNER'S	SPANISH	NOT SHOWN
38	16280-999-4	MANUAL, OWNER'S	ENGLISH	NOT SHOWN
38	16280-999-6	MANUAL, OWNER'S	JAPANESE	NOT SHOWN
38	16280-999-7	MANUAL, OWNER'S	SWEDISH	NOT SHOWN
38	16280-999-8	MANUAL, OWNER'S	RUSSIAN	NOT SHOWN
38	16280-999-A	MANUAL, OWNER'S	DANISH	NOT SHOWN
38	16280-999-D	MANUAL, OWNER'S	DUTCH	NOT SHOWN