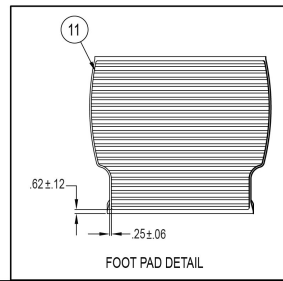
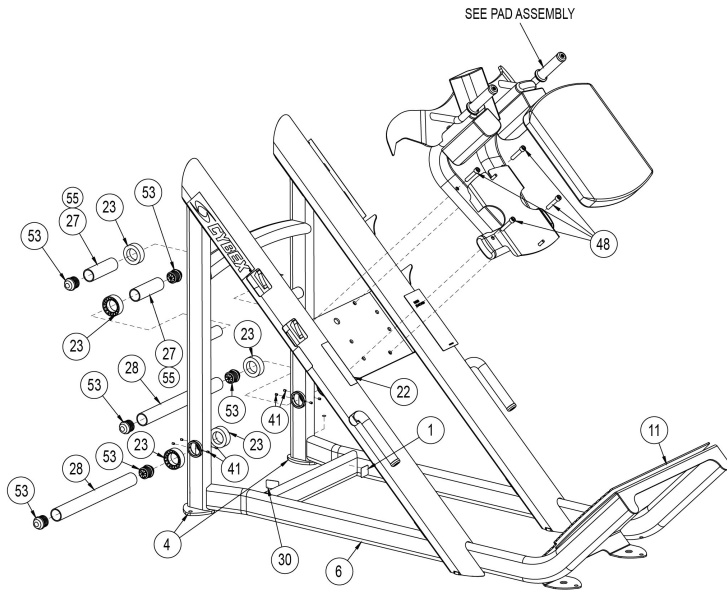
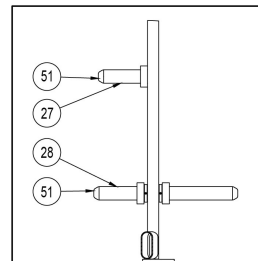
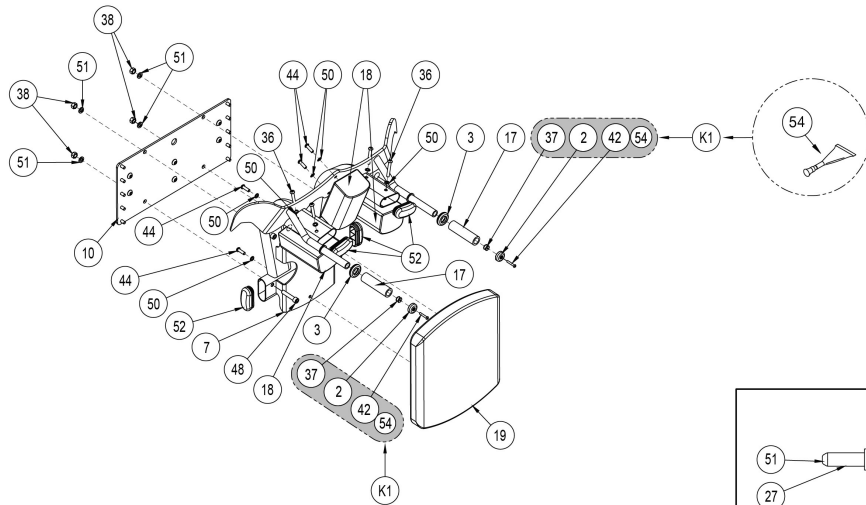


16200 Hack Squat
Main Assembly



| | | | |
|----|------------|----------------------------|----------|
| 1 | 11040-790 | DECAL, MADE IN USA | |
| 4 | 16010-311 | FOOT PAD | |
| 6 | 16200-200 | W/FRAME | |
| 11 | 16200-339 | NON-SLIP | |
| 22 | DE000001-1 | DECAL, WARNING | GERMAN |
| 22 | DE000001-2 | DECAL, WARNING | FRENCH |
| 22 | DE000001-3 | DECAL, WARNING | SPANISH |
| 22 | DE000001-4 | DECAL, WARNING | ENGLISH |
| 22 | DE000001-6 | DECAL, WARNING | JAPANESE |
| 22 | DE000001-7 | DECAL, WARNING | SWEDISH |
| 22 | DE000001-8 | DECAL, WARNING | RUSSIAN |
| 22 | DE000001-A | DECAL, WARNING | DANISH |
| 22 | DE000001-D | DECAL, WARNING | DUTCH |
| 23 | 5220-367 | SPACER, PLASTIC | |
| 27 | 5330P012 | P/WEIGHT TUBE 5.00 | |
| 28 | 5330P029 | PLATED WEIGHT TUBE (19.00) | |
| 30 | CM000246 | DECAL, CAPACITY | |
| 41 | HY622910 | SET SC .250-20 X .375 | |
| 48 | JC782830 | SHCS .500-13 X 2.50 | |
| 53 | PP130006 | INSERT, PLASTIC END | |
| 55 | YA000226 | LOCTITE #680 .5 MI | |

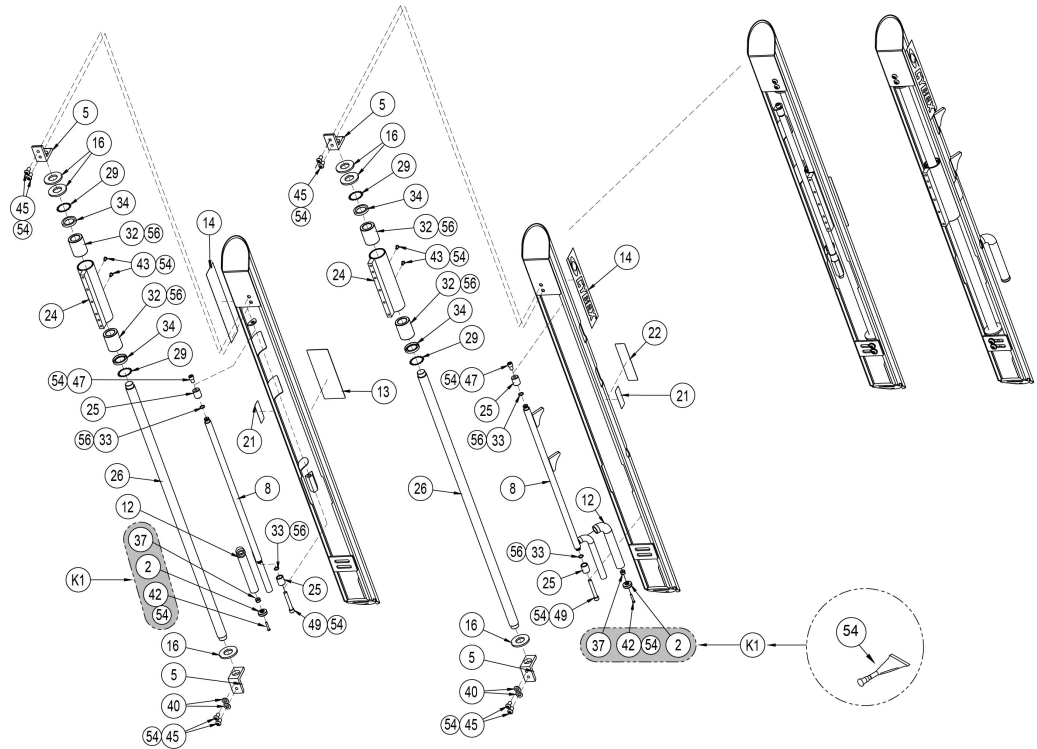
16200 Hack Squat Pad Assembly



TUBE LENGTH DETAIL

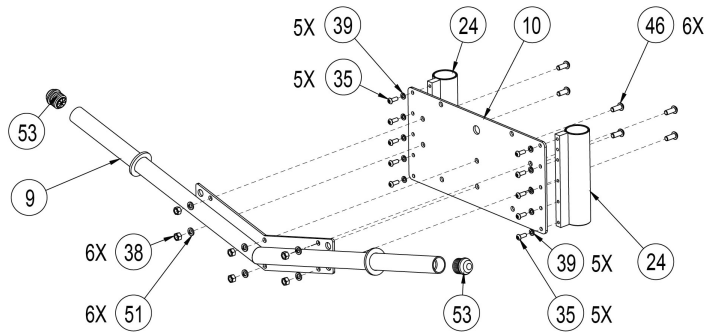
| | | |
|----|-----------|------------------------------|
| 2 | 11090-374 | END CAP |
| 3 | 11090-376 | RING, HANDLE GRIP |
| 7 | 16200-201 | W FRAME HANDLE |
| 10 | 16200-329 | PLATE, SLED |
| 17 | 4605-501 | GRIP 1.38 OD X .96 ID 5.00 □ |
| 18 | 4800-071 | SHOULDER PAD |
| 19 | 4800-440 | CUSHION S/A, 16 X 19 |
| 27 | 5330P012 | P/WEIGHT TUBE 5.00 |
| 28 | 5330P029 | PLATED WEIGHT TUBE (19.00) |
| 36 | HC700430 | BHSCS .375-16 X 2.50 |
| 37 | HF449063 | INSERT 3/4 X 1/4-20 |
| 38 | HN784000 | HEX NUT .500-13 |
| 42 | JC620422 | BHSCS .250-20 x 1.50 |
| 44 | JC700420 | BHSCS .375-16 X 1.25 |
| 48 | JC782830 | SHCS .500-13 X 2.50 |
| 50 | JS347400 | LOCKWASHER, INT TOOTH .375 |
| 51 | JS388300 | SPLIT LOCKWASHER .500 |
| 52 | PP130004 | INSERT, DOMED PLASTIC |
| 54 | YA000201 | ADH, THRD LKR, REM NO. 242 |
| K1 | 11090K006 | KIT, HANDLE END CAPS |

16200 Hack Squat Side Rail Assembly



| | | | |
|----|-------------|---------------------------------|----------|
| 2 | 11090-374 | END CAP | |
| 5 | 16110-351 | SHAFT MOUNT | |
| 8 | 16200-202 | W STOP HANDLE | |
| 12 | 16200-344 | GRIP, ANGLED | |
| 13 | 16200-598-1 | PLACARD DECAL, HACK SQUAT | GERMAN |
| 13 | 16200-598-2 | PLACARD DECAL, HACK SQUAT | FRENCH |
| 13 | 16200-598-3 | PLACARD DECAL, HACK SQUAT | SPANISH |
| 13 | 16200-598-4 | PLACARD DECAL, HACK SQUAT | ENGLISH |
| 13 | 16200-598-6 | PLACARD DECAL, HACK SQUAT | JAPANESE |
| 13 | 16200-598-7 | PLACARD DECAL, HACK SQUAT | SWEDISH |
| 13 | 16200-598-8 | PLACARD DECAL, HACK SQUAT | RUSSIAN |
| 13 | 16200-598-A | PLACARD DECAL, HACK SQUAT | DANISH |
| 13 | 16200-598-D | PLACARD DECAL, HACK SQUAT | DUTCH |
| 14 | 3900-447 | DECAL CYBEX 1.94 HOR BLACK | |
| 14 | 3900-448 | DECAL CYBEX 1.94 HOR SILVER | |
| 16 | 4540-321 | BUMPER, HANDLE | |
| 21 | 5220-337-1 | DECAL, WARNING | GERMAN |
| 21 | 5220-337-2 | DECAL, WARNING | FRENCH |
| 21 | 5220-337-3 | DECAL, WARNING | SPANISH |
| 21 | 5220-337-4 | DECAL, WARNING | ENGLISH |
| 21 | 5220-337-6 | DECAL, WARNING | JAPANESE |
| 21 | 5220-337-7 | DECAL, WARNING | SWEDISH |
| 21 | 5220-337-8 | DECAL, WARNING | RUSSIAN |
| 21 | 5220-337-A | DECAL, WARNING | DANISH |
| 21 | 5220-337-D | DECAL, WARNING | DUTCH |
| 22 | DE000001-1 | DECAL, WARNING | GERMAN |
| 22 | DE000001-2 | DECAL, WARNING | FRENCH |
| 22 | DE000001-3 | DECAL, WARNING | SPANISH |
| 22 | DE000001-4 | DECAL, WARNING | ENGLISH |
| 22 | DE000001-6 | DECAL, WARNING | JAPANESE |
| 22 | DE000001-7 | DECAL, WARNING | SWEDISH |
| 22 | DE000001-8 | DECAL, WARNING | RUSSIAN |
| 22 | DE000001-A | DECAL, WARNING | DANISH |
| 22 | DE000001-D | DECAL, WARNING | DUTCH |
| 24 | 5320-204 | C BEARING SLEEVE | |
| 25 | 5320-332 | P STOP ROD COLLET | |
| 26 | 5330-328 | SHAFT | |
| 29 | BR030203 | RETAINING RING | |
| 32 | FB110200 | BRG, LINEAR 1.50 | |
| 33 | FS100006 | O-RING (.612 ID X .103 WIDE) | |
| 34 | FS110200 | SEAL, LINEAR BEARING | |
| 37 | HF449063 | INSERT 3/4 X 1/4-20 | |
| 40 | HS387700 | WASHER, SAE .500 | |
| 42 | JC620422 | BHSCS .250-20 x 1.50 | |
| 43 | JC660412 | BHSCS .312-18 X .50 | |
| 45 | JC780417 | BHSCS .500-13 X 1.00 | |
| 47 | JC782815 | SHCS .500-13 X .75 | |
| 49 | JC782838 | SHCS .500-13 X 3.25 | |
| 54 | YA000201 | ADH, THRD LKR, REM NO. 242 | |
| 56 | YG000002 | PLEASE USE WHITE LITHIUM GREASE | |
| K1 | 11090K006 | KIT, HANDLE END CAPS | |

16200 Hack Squat
Weight Bar Assembly



| | | |
|----|-----------|-----------------------|
| 9 | 16200-204 | PLATED WEIGHT BAR |
| 10 | 16200-329 | PLATE, SLED |
| 24 | 5320-204 | C BEARING SLEEVE |
| 35 | HC700417 | BHSCS .375-16 X 1.00 |
| 38 | HN784000 | HEX NUT .500-13 |
| 39 | HS348300 | LOCKWASHER SPLIT .375 |
| 46 | JC780420 | BHSCS .500-13 X 1.25 |
| 51 | JS388300 | SPLIT LOCKWASHER .500 |
| 53 | PP130006 | INSERT, PLASTIC END |