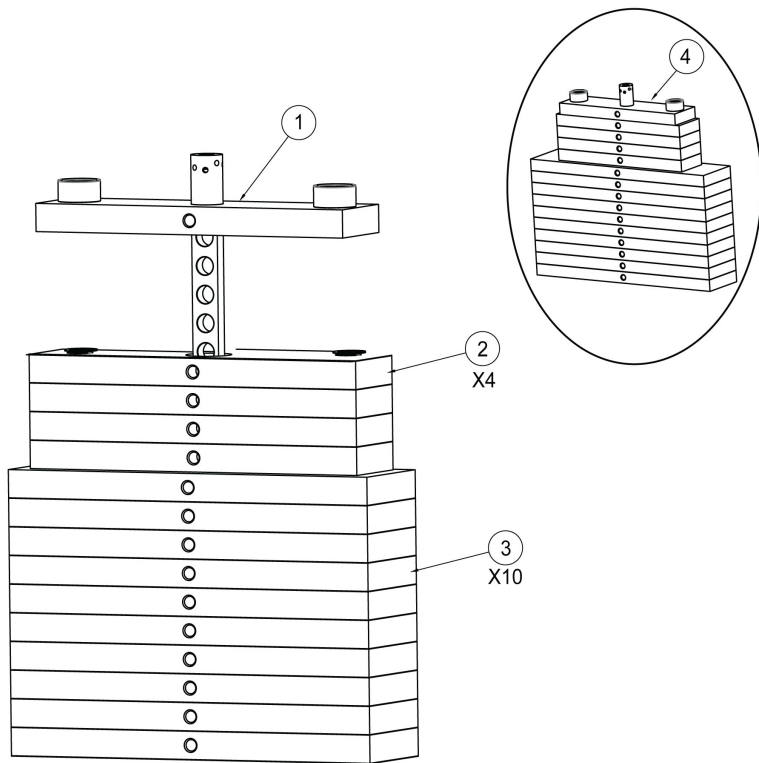
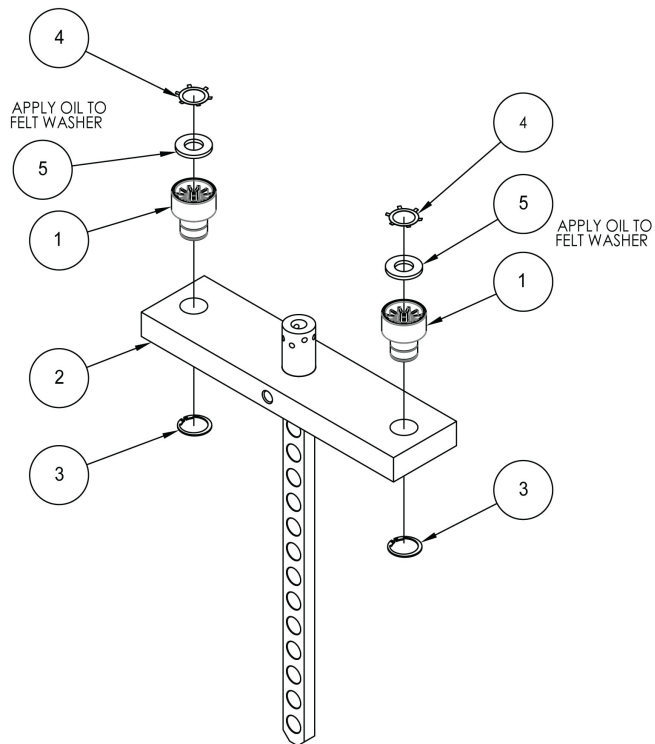


17000-006 Weight Pack Assembly



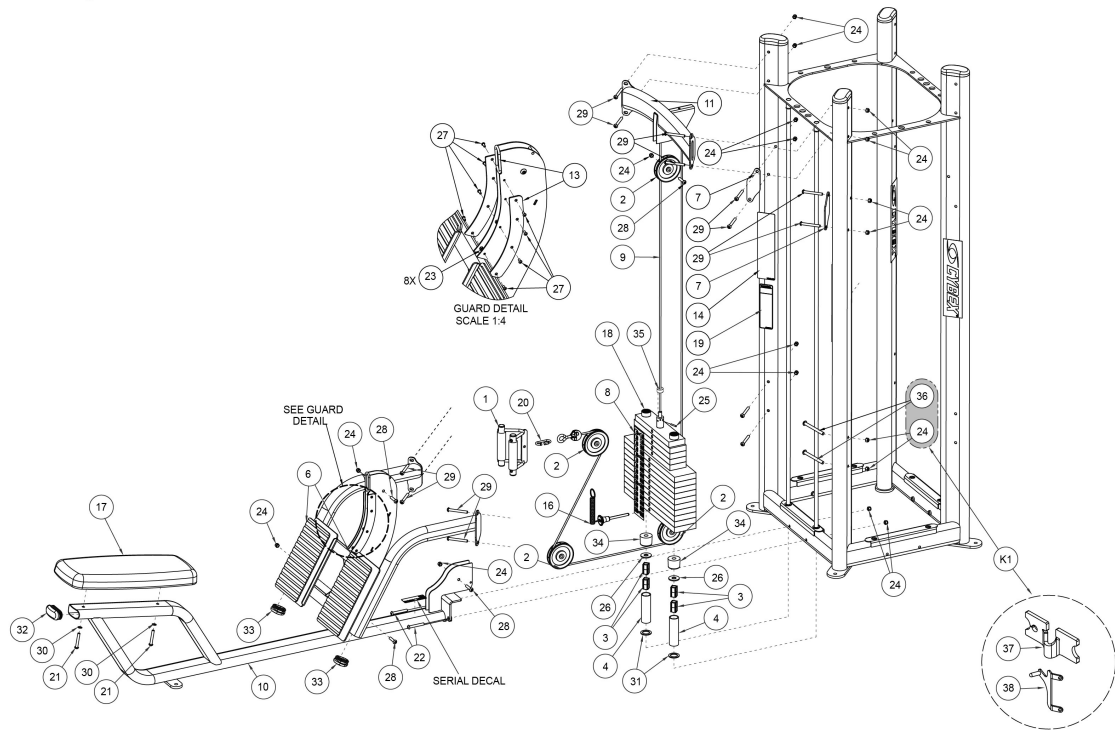
1	17000-009	TOP WEIGHT LIFTING POST
2	4700-337	WEIGHT PLATE 10 LB
3	4000C101	COATED STACK WEIGHT 4 x 18 W/BUSHINGS
4	17000-006	WEIGHT STACK ASSY

17000-009 Lifting Post Assembly Detail



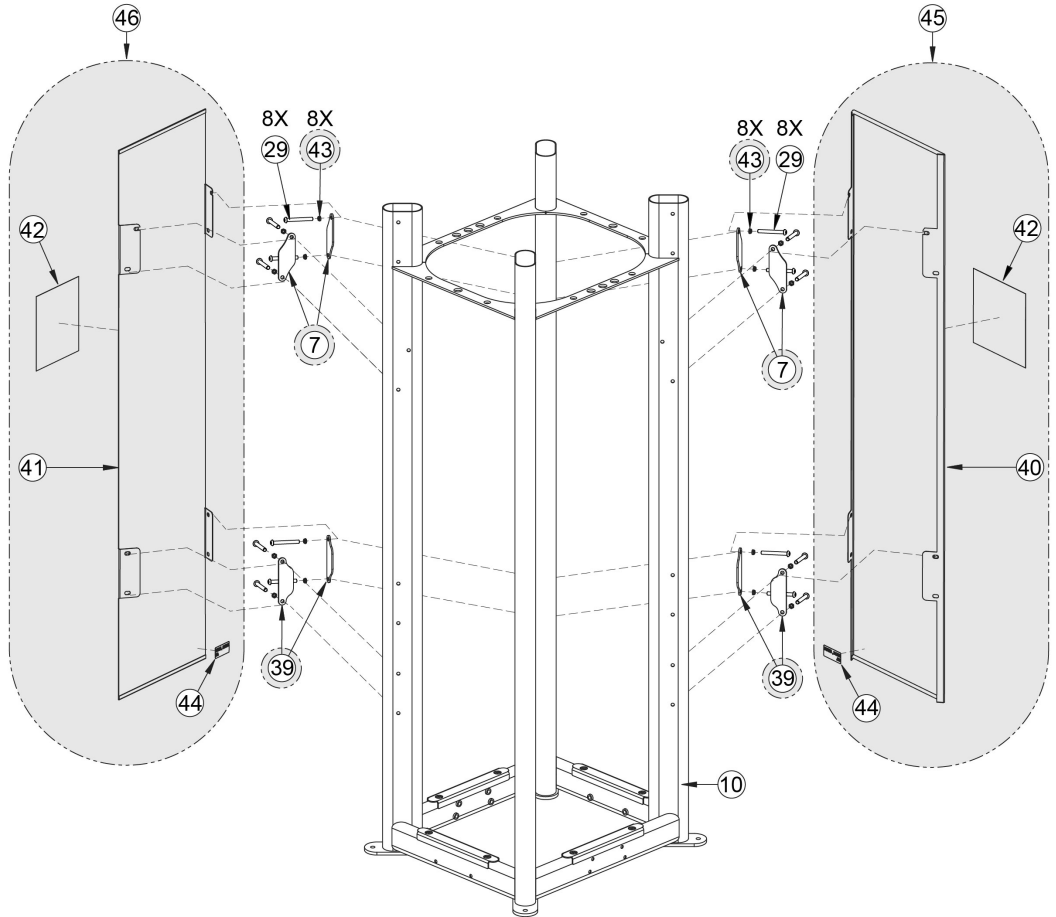
1	13000-364	BEARING, FLANGE .62 ID. x .92 OD. x 1.75 LG
2	4700C070	TOP WEIGHT, 15, 3 x 12
3	BR030206	RING, RETAINING
4	BR030220	RETAINING RING 1.250 INTERNAL
5	HS720004	WASHER, FELT .641 ID X 1.250 OD X .125T

17030 Single Handle Row



1	01255	HANDLE SUBASSEMBLY	
2	08014	PULLEY ASSEMBLY, 4.50 IN.	
3	12210-352	PLASTIC INSERT	
4	12210-359	SPACER TUBE	
5	13000-353	FOOT PAD	
6	13040-335	NON-SLIP	
7	17000-331	PLATE	
8	17000-351	DECAL, WT PLATE GRADUATED (10 - 250)	
9	17030-002	CABLE S/A	
10	17030-200	W FRAME	
11	17030-201	W TOP PULLEY MOUNT	
13	17030-324	PLATE, GUARD	
14	17030-598	PLACARD, ROW	
16	BH030207	PIN, WEIGHT SELECTOR	
17	4800-400	CUSHION	
18	17000-006	WEIGHT STACK ASSY	
19	4605-381-1	DECAL, WARNING	GERMAN
19	4605-381-2	DECAL, WARNING	FRENCH
19	4605-381-3	DECAL, WARNING	SPANISH
19	4605-381-4	DECAL, WARNING	ENGLISH
19	4605-381-6	DECAL, WARNING	JAPANESE
19	4605-381-7	DECAL, WARNING	SWEDISH
19	4605-381-8	DECAL, WARNING	RUSSIAN
19	4605-381-A	DECAL, WARNING	DANISH
19	4605-381-D	DECAL, WARNING	DUTCH
20	GQ000213	QUICK LINK	
21	HC700430	BHSCS .375-16 X 2.50	
22	HC700432	BHSCS .375-16 X 2.75	
23	HN575100	LOCKNUT .190-No 10-24	
24	HN704003	LOCKNUT, .375-16 NYLON PATCH	
25	HP286819	SPIRAL PIN .188 X 1.12	
26	HS760106	WASHER, FLAT, 1.75 OD X .688 ID X .140 THK	
27	JC570412	BHSCS .190 10-32 X .375	
28	JC700424	BHSCS .375-16 X 1.75	
29	JC700436	BHSCS .375-16 X 3.25	
30	JS347400	LOCKWASHER, INT TOOTH .375	
31	JS497600	WASHER, 1.19 ID X 1.75 OD X .12 THK	
32	PP130002	INSERT, DOMED PLASTIC	
33	PP130003	INSERT, DOMED PLASTIC	
34	PR060005	BUMPER, WEIGHT	
35	13000-385	STOP	
36	JC700438	BHSCS .375-16 X 3.50	
37	17001-340	C/HALF WEIGHT 3 x 12	
38	17030-205	W BRACKET, INCREMENT WEIGHT	
K1	17030K003	KIT, JUNGLE GYM INCREMENT WEIGHT	

17030 Single Handle Row Panel Assembly



7	17000-331	PLATE
10	17000-200	W FRAME
29	JC700436	BHSCS .375-16 X 3.25
39	17000-330	PLATE
40	17007-301	GUARD
41	17008-300	GUARD
42	3900-441	DECAL CYBEX, BLACK
42	3900-442	DECAL CYBEX, SILVER
43	HN704902	LOCKNUT, .375-16 NYLON
44	CM000202	DECAL, PATENT PENDING
45	17007-001	BLANK STATION NARROW ASSEMBLY
46	17008-001	BLANK STATION WIDE ASSEMBLY