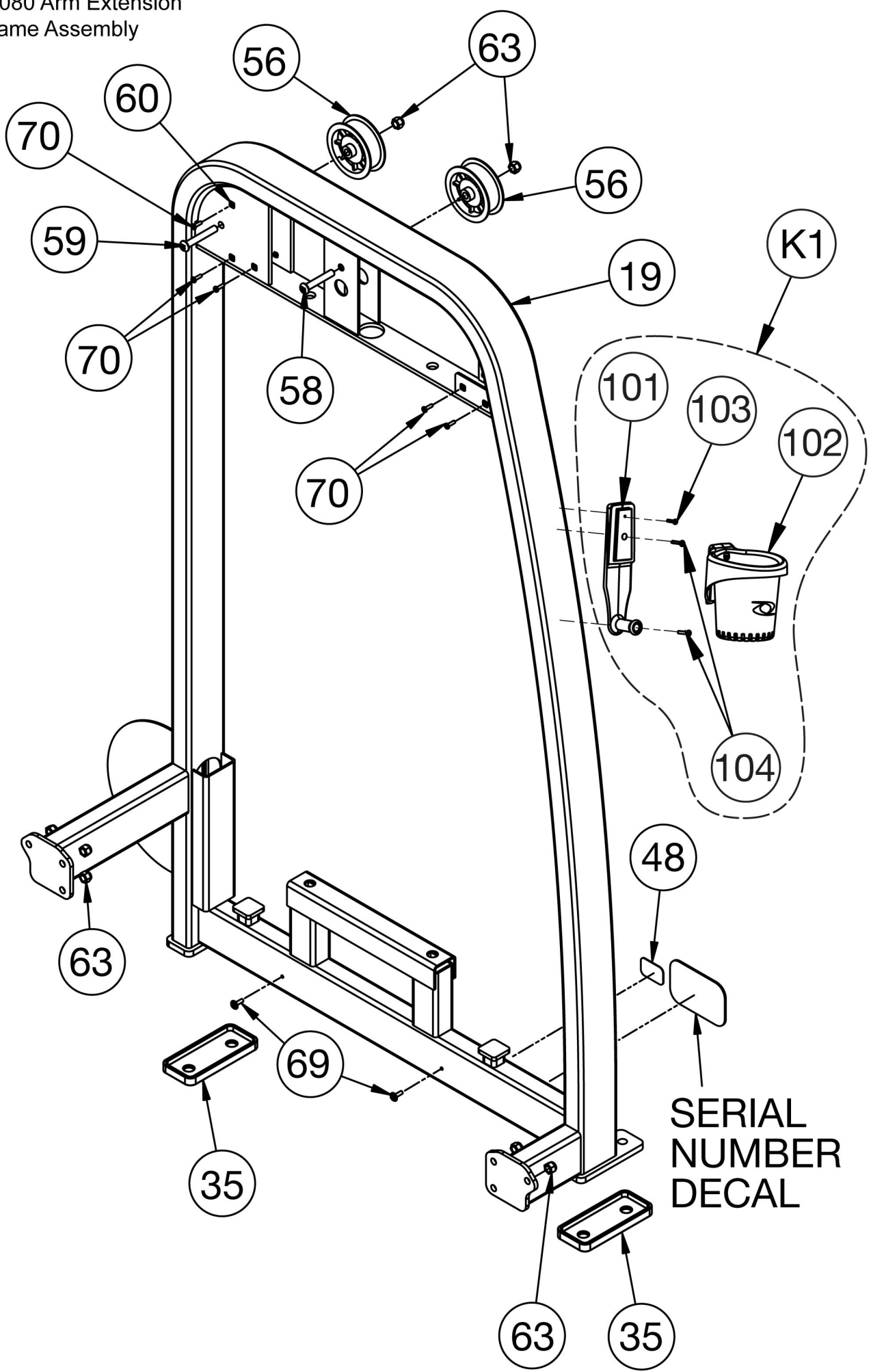
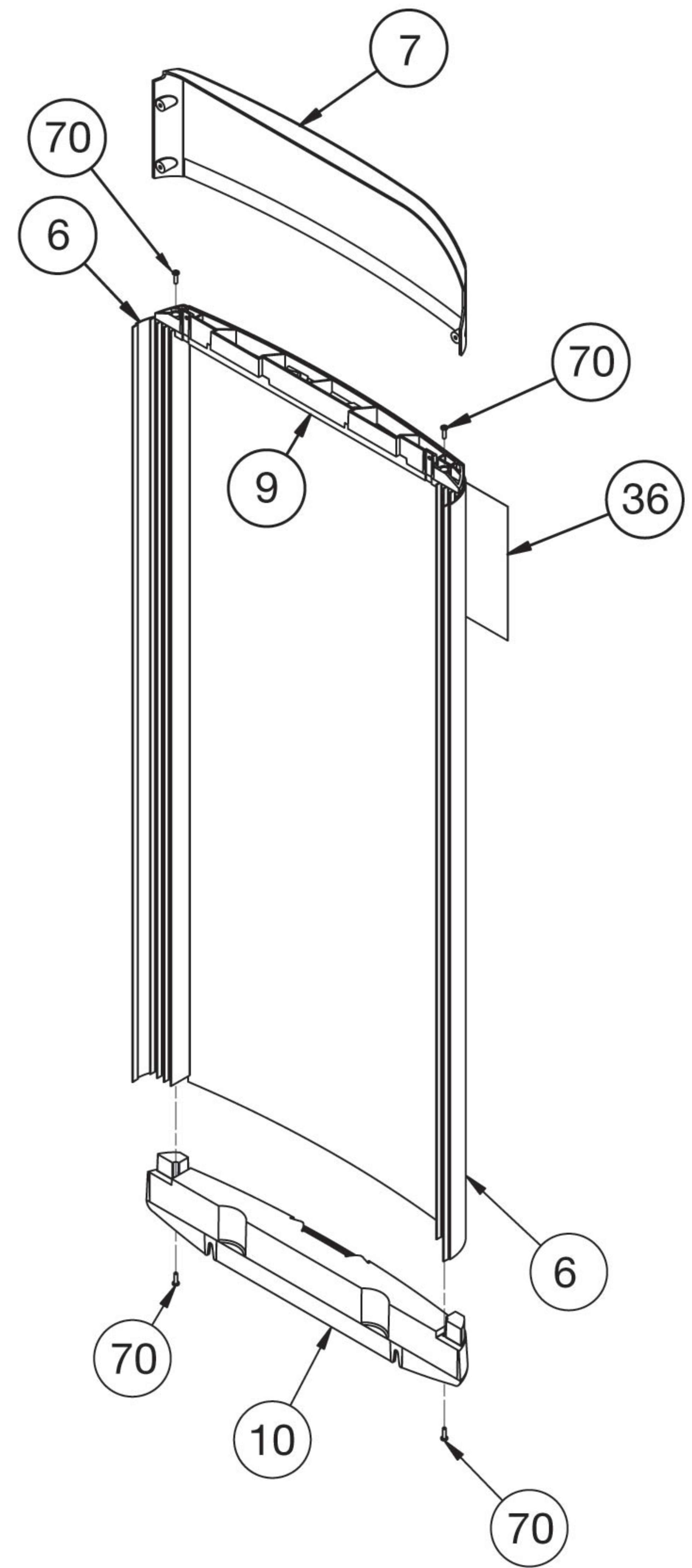
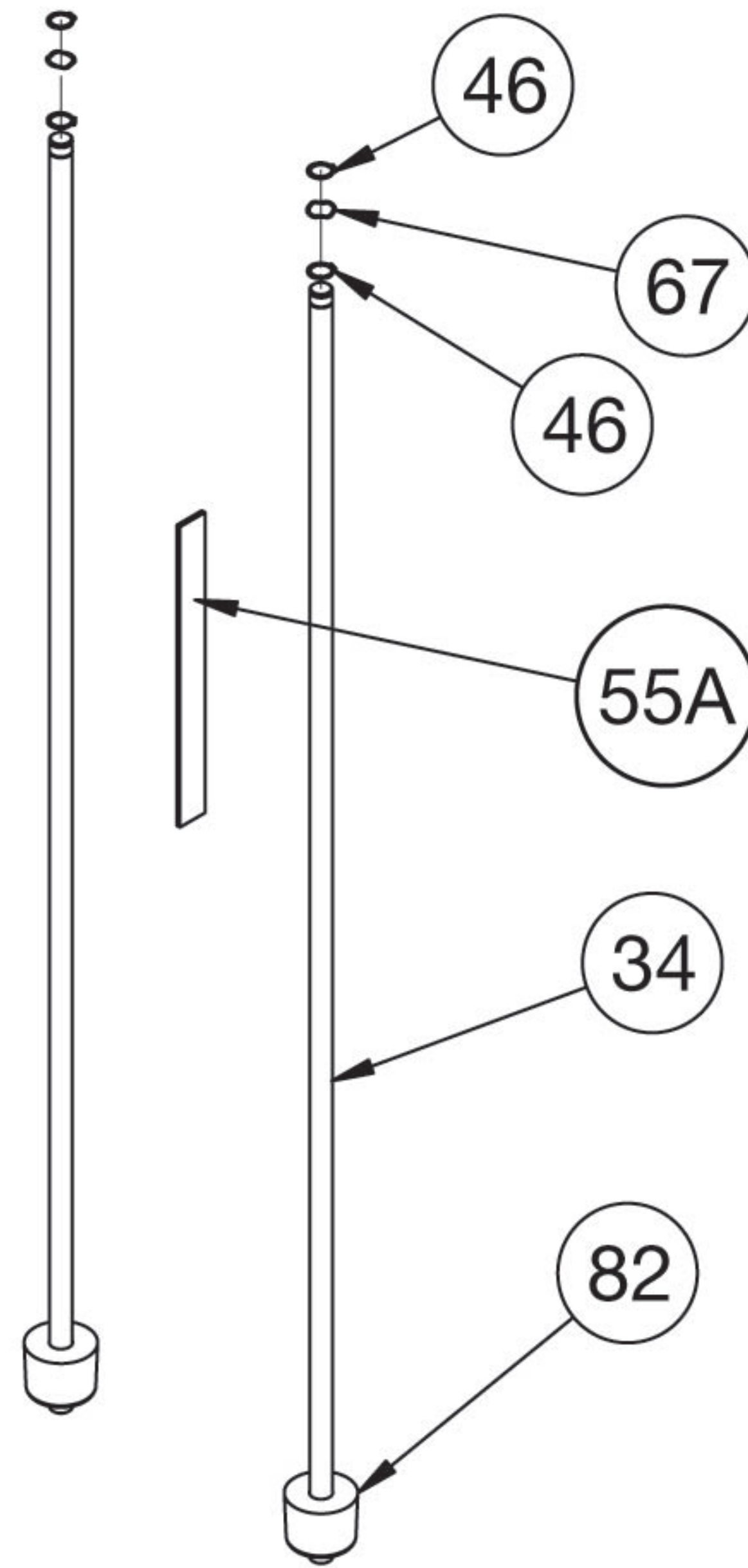
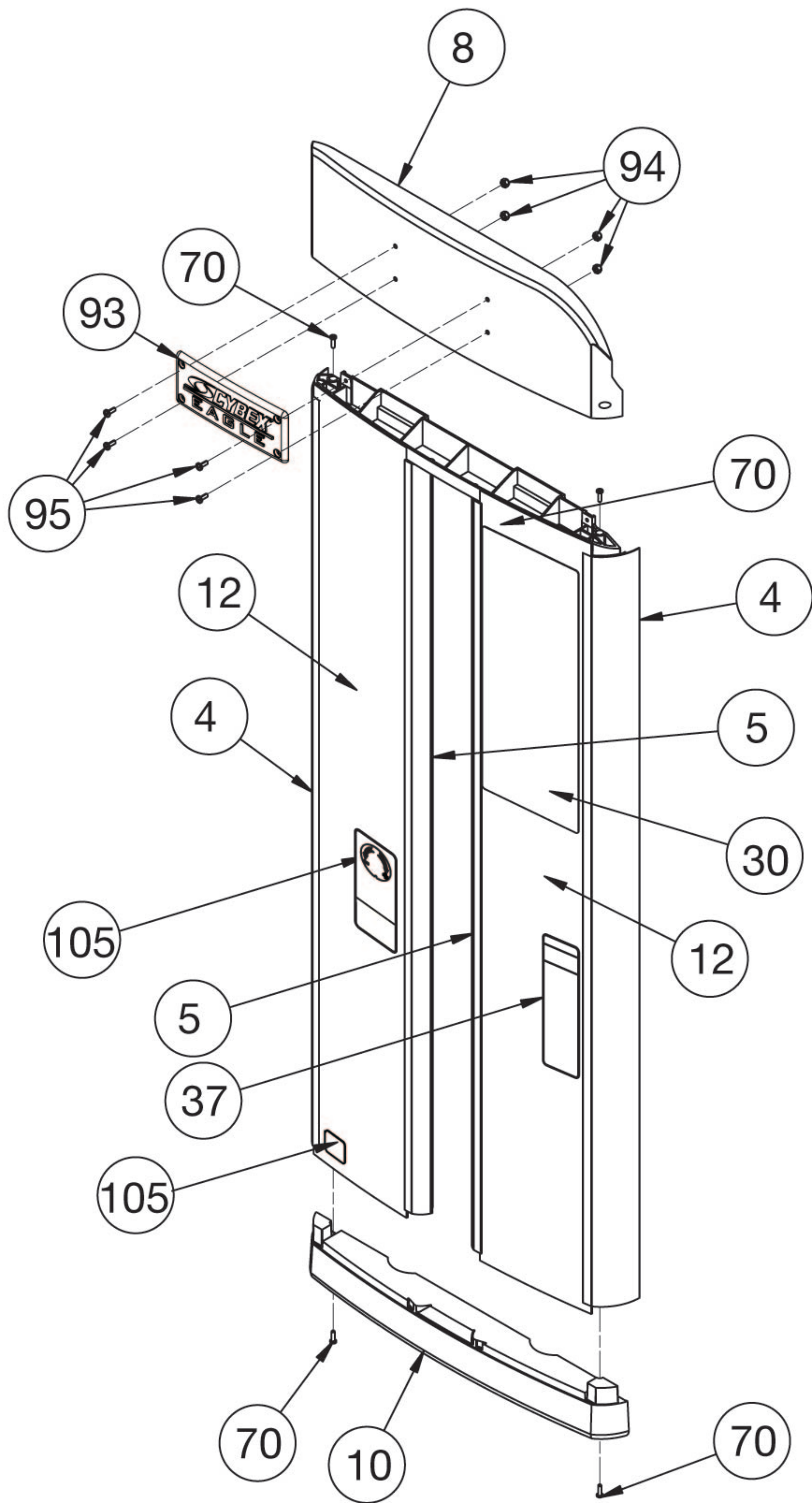


11080 Arm Extension
Frame Assembly



<u>Bulb Number</u>	<u>Part Number</u>	<u>Description</u>
19	11080-204	WEIGHT FRAME
35	11090-392	FOOT COVER
48	CM000211	DECAL, PATENT PENDING
56	GP000209	PULLEY ASSEMBLY
58	HC700428	BHSCS .375-16 X 2.25
59	HC700430	BHSCS .375-16 X 2.50
60	HF540200	GROMMET NYLON
63	HN704901	LOCKNUT, .375-16 NYLON
69	HT102214	PHIL, HEX, WASHER HD, TYPE 23, 10-24
70	HT542514	PN HD PHIL SC # 8 X .625 BLK
101	13000-401	MOUNT, WATER BOTTLE HOLDER
102	13000-400	WATER BOTTLE HOLDER
103	HT552515	PAN HD PHIL HD SELF TAPPING, 8-16 x .75, TYPE WB BLACK
104	HT512517	TAP SC 10-24 X 1.00 TYPE WB PN HD PHIL BLK
K1	11000K007	KIT, WATER BOTTLE HOLDER

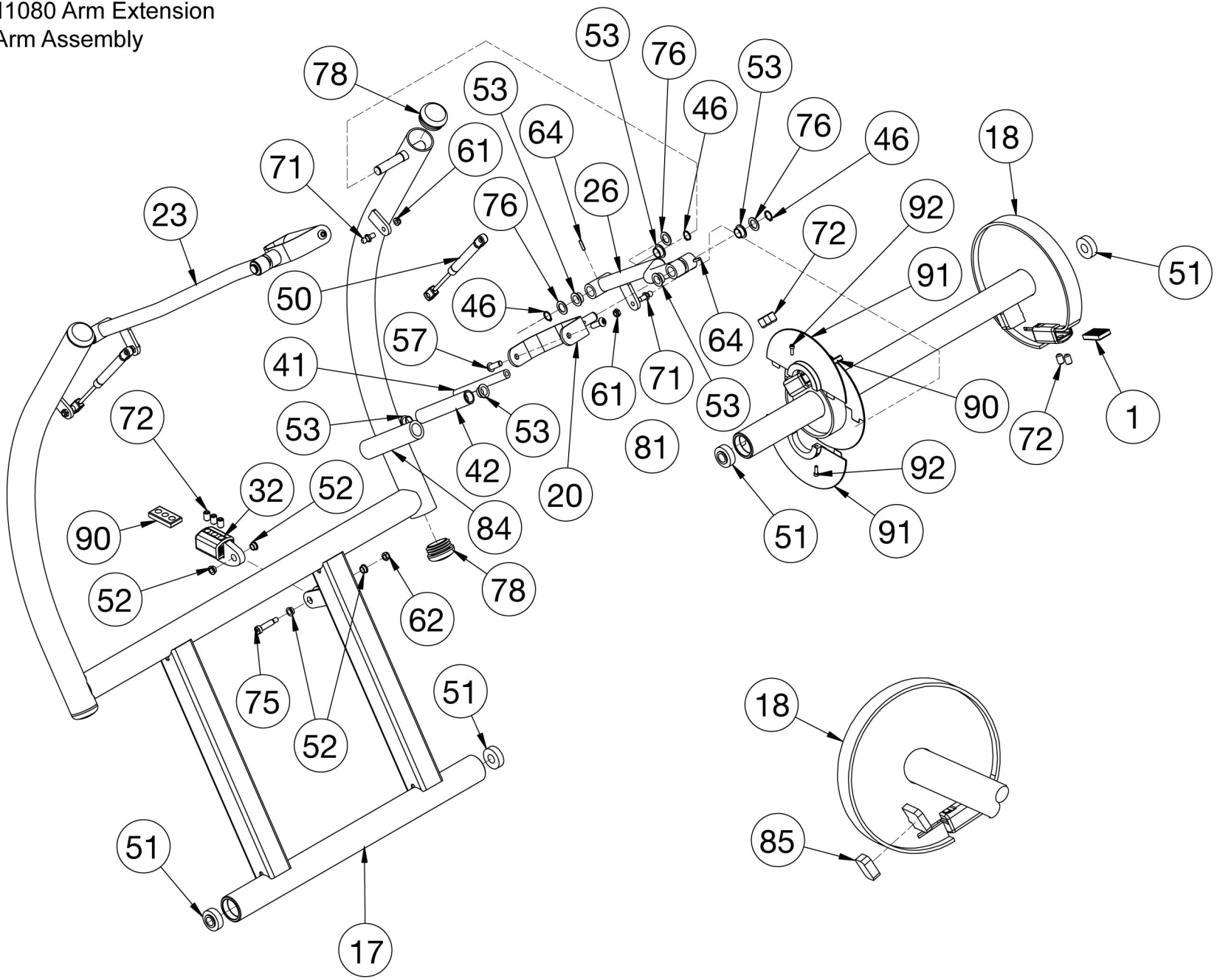
11080 Arm Extension Panel Assembly



<u>Bulb Number</u>	<u>Part Number</u>	<u>Description</u>	
4	11040-750	EXT INC WT CHANNEL	
5	11040-754	EXTRUDED GUARD	
6	11040-751	EXT INC WT CHANNEL	
7	11040-767	COVER, TOP	
8	11040-772	COVER, TOP	
9	11040-776	CHASSIS	
10	11040-777	TRAY, BOTTOM	
12	11040-762	PANEL, SHROUD FRONT	
30	11080-610-1	PLACARD, ARM EXTENSION	GERMAN
30	11080-610-2	PLACARD, ARM EXTENSION	FRENCH
30	11080-610-3	PLACARD, ARM EXTENSION	SPANISH
30	11080-610-4	PLACARD, ARM EXTENSION	ENGLISH
30	11080-610-6	PLACARD, ARM EXTENSION	JAPANESE
30	11080-610-7	PLACARD, ARM EXTENSION	SWEDISH
30	11080-610-8	PLACARD, ARM EXTENSION	RUSSIAN
30	11080-610-A	PLACARD, ARM EXTENSION	DANISH
30	11080-610-D	PLACARD, ARM EXTENSION	DUTCH
34	11090-359	WT ROD .625 DIA x 42.25	
36	3900-441	DECAL, CYBEX, BLACK	
37	4605-381-1	DECAL, WARNING	GERMAN
37	4605-381-2	DECAL, WARNING	FRENCH
37	4605-381-3	DECAL, WARNING	SPANISH
37	4605-381-4	DECAL, WARNING	ENGLISH
37	4605-381-6	DECAL, WARNING	JAPANESE
37	4605-381-7	DECAL, WARNING	SWEDISH

37	4605-381-8	DECAL, WARNING	RUSSIAN
37	4605-381-A	DECAL, WARNING	DANISH
37	4605-381-D	DECAL, WARNING	DUTCH
46	BR030214	RETAINING RING, .625 DIA	
55A	GB000202	BELT .95 WIDE, SEE DRAWING FOR LENGTH	
67	HS407100	WASHER, SPRING .650 ID x .790 OD x .062 THK	
70	HT542514	PN HD PHIL SC # 8 X .625 BLK	
82	PR060005	BUMPER, WEIGHT	
93	11040-789	EAGLE PLAQUE	
94	HN575100	LOCKNUT .190-No 10-24	
95	HT572512	TAP SC NO. 10 - 24 X? .50 PN HD PHIL	
105	11000-407-1	Decal, Increment Weight	GERMAN
105	11000-407-2	Decal, Increment Weight	FRENCH
105	11000-407-3	Decal, Increment Weight	SPANISH
105	11000-407-4	Decal, Increment Weight	ENGLISH
105	11000-407-6	Decal, Increment Weight	JAPANESE
105	11000-407-7	Decal, Increment Weight	SWEDISH
105	11000-407-8	Decal, Increment Weight	RUSSIAN
105	11000-407-A	Decal, Increment Weight	DANISH
105	11000-407-D	Decal, Increment Weight	DUTCH
106	11040-790	DECAL. MADE IN USA	

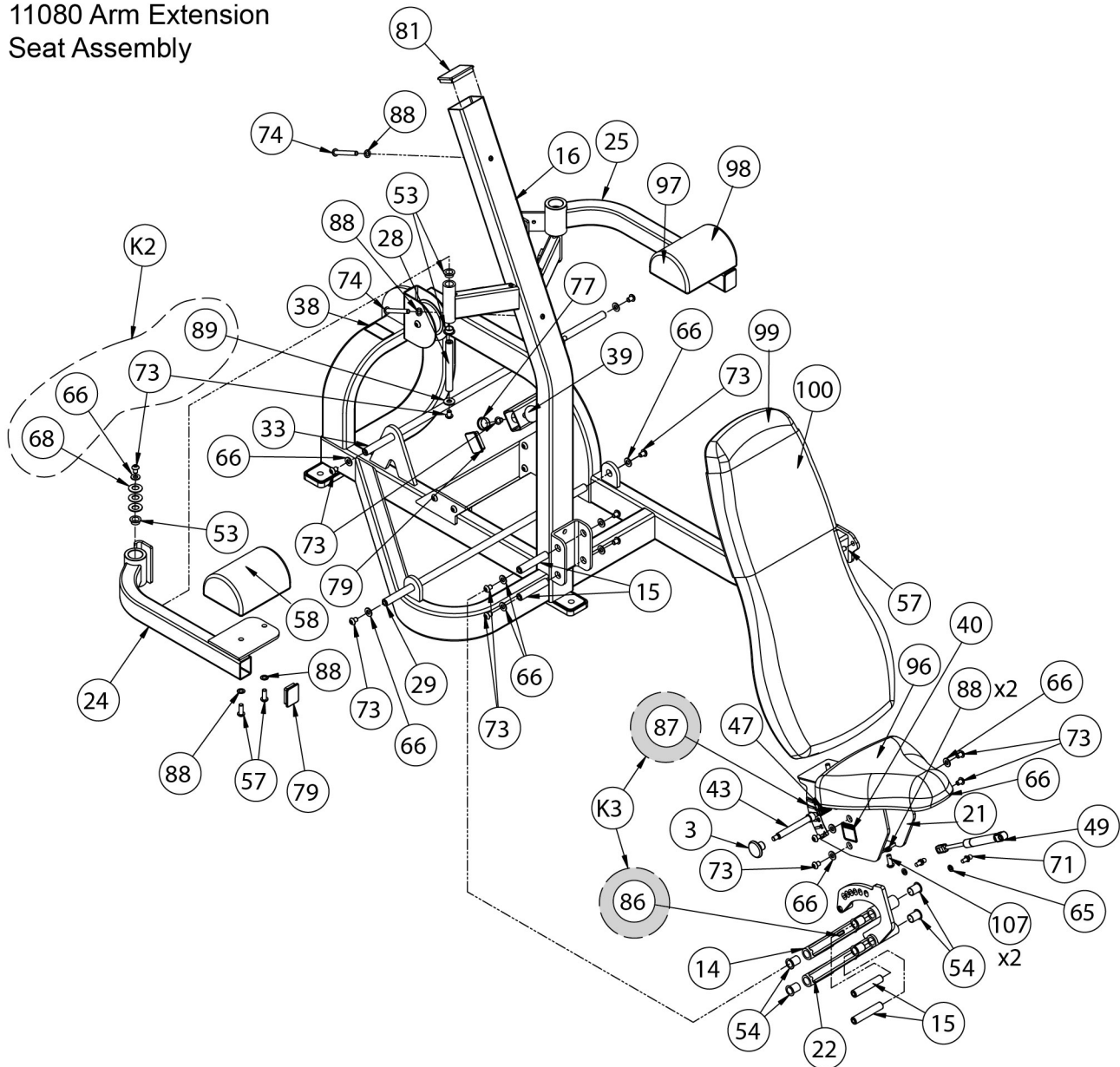
11080 Arm Extension
Arm Assembly



<u>Bulb Number</u>	<u>Part Number</u>	<u>Description</u>
1	11040-301	Clamp Block Insert
17	11080-201	PIVOT ARM
18	11080-202	PULLEY SHAFT
20	11080-206	PIVOT HANDLE
23	11080-209	INPUT ARM, RH
26	11080-216	INPUT ARM, LH
32	11090-210	W/CLAMP
41	4535-327	PIN, LONG PIVOT
42	4535-330	TUBE, PIVOT, HANDLE
46	BR030214	RETAINING RING, .625 DIA
50	EZ000007	GAS SPRING 100N
51	FB030232	BEARING, RADIAL 17 mm EXTENDED RACE
52	FB050211	BRG FLG .38 X .50 .25 LG
53	FB130205	BRG,FLG .62 x .75 .38 LG
57	HC700417	BHSCS .375-16 X 1.00
61	HN-60065	NUT, HEX SELF- LOCKING .312-18 BLK ZINC
62	HN664900	NUT, HEX SELF-LOCKING .312-18 ZINC
64	HP286716	GROOVE PIN, .188 X .750
71	HX-60184	BALL STUD, .312 - 18 UNC x 10 MM
72	HY740000	Set Screw
75	JD343320	S BOLT .375 X 1.25 .312-18
76	JS407100	BUSHING .625 MACHINERY
78	PP080226	INSERT, DOMED PLASTIC 2.00, RIB
81	PP090206	INSERT, PLASTIC 2.00 X 3.00 X 11 GA
84	4605-504	GRIP 1.38 OD X .96 ID

85	PU060201	BUMPER
90	11040-568	CLAMP BLOCK INSERT
91	11090-403	CAM SHEILD
92	HC572814	SHCS .190-10-24 X .625

11080 Arm Extension Seat Assembly

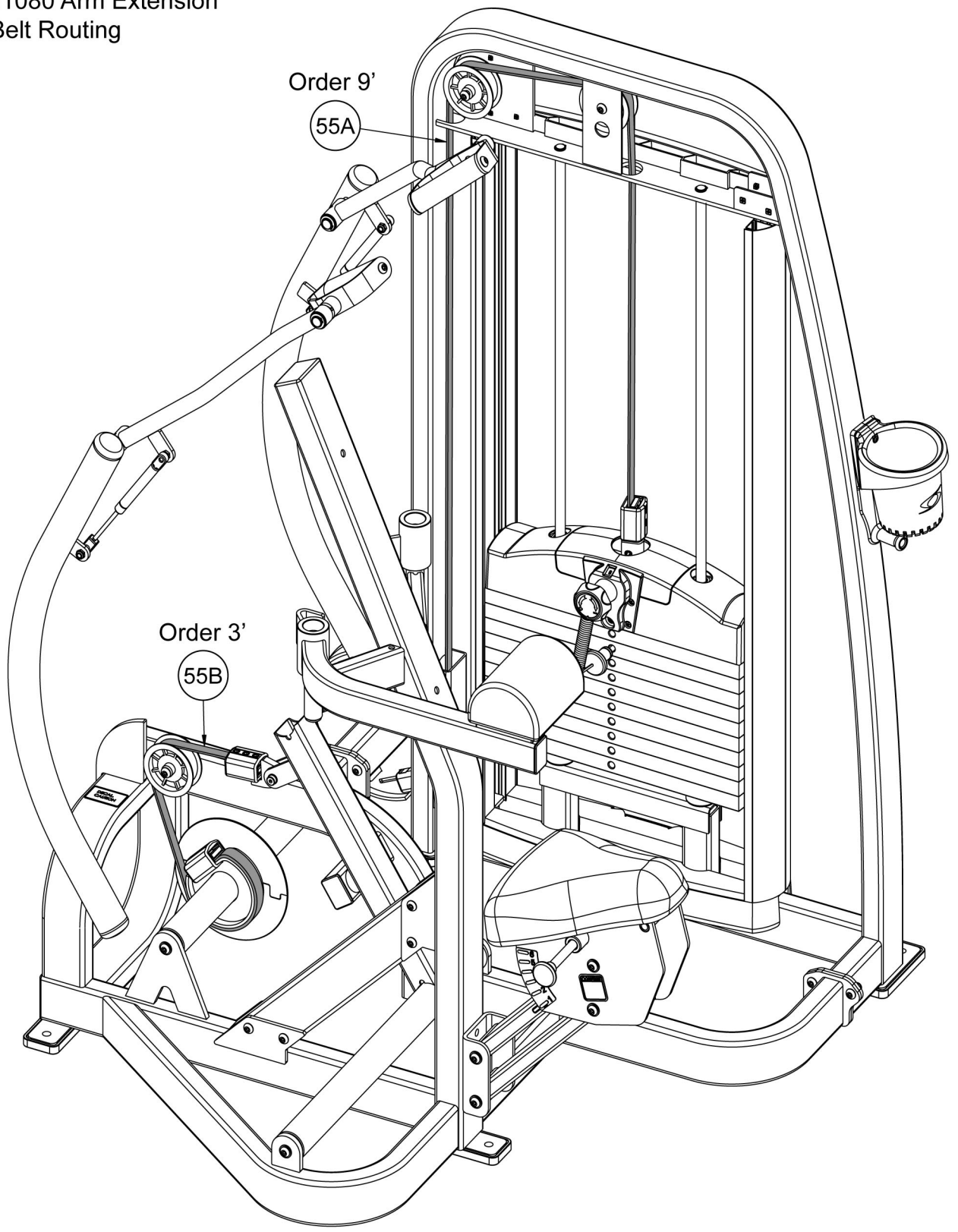


<u>Bulb Number</u>	<u>Part Number</u>	<u>Description</u>	
3	11040-440	KNOB	
14	11050-205	LINK	
15	11050-375	PIVOT PIN	
16	11080-200	SEAT FRAME	
21	11080-207	SEAT BOTTOM	
22	11080-208	SEAT BOTTOM LINK	
24	11080-211	SWING ARM, RH	
25	11080-212	SWING ARM, LH	
28	11080-338	SHAFT, HANDLE	
29	11080-361	SHAFT, PIVOT	
33	11090-342	SHAFT, PIVOT	
38	4000Y316-1	DECAL, CAUTION	GERMAN
38	4000Y316-2	DECAL, CAUTION	FRENCH
38	4000Y316-3	DECAL, CAUTION	SPANISH
38	4000Y316-4	DECAL, CAUTION	ENGLISH
38	4000Y316-6	DECAL, CAUTION	JAPANESE
38	4000Y316-7	DECAL, CAUTION	SWEDISH
38	4000Y316-8	DECAL, CAUTION	RUSSIAN
38	4000Y316-A	DECAL, CAUTION	DANISH
38	4000Y316-D	DECAL, CAUTION	DUTCH
39	4505-331	BUMPER, 1.50 DIA	
40	4520-362-1	DECAL, CAUTION	GERMAN
40	4520-362-2	DECAL, CAUTION	FRENCH
40	4520-362-3	DECAL, CAUTION	SPANISH
40	4520-362-4	DECAL, CAUTION	ENGLISH

40	4520-362-6	DECAL, CAUTION	JAPANESE
40	4520-362-7	DECAL, CAUTION	SWEDISH
40	4520-362-8	DECAL, CAUTION	RUSSIAN
40	4520-362-A	DECAL, CAUTION	DANISH
40	4520-362-D	DECAL, CAUTION	DUTCH
43	4628-312	P/PIN,DETENT	
47	BS070201	COM SPRING .56 x .66 1.50 LG	
49	EZ000006	GAS SPRING 250N	
53	FB130205	BRG,FLG .62 x .75 .38 LG	
54	FB130207	BRG FLG 17mm X 19mm X 25mm	
57	HC700417	BHSCS .375-16 X 1.00	
58	HC700428	BHSCS .375-16 X 2.25	
65	HS328300	LOCKWASHER SPLIT .312	
66	HS347600	WASHER, SAE .375	
68	HS407701	WASHER .630 ID X 1.25 OD BELV	
71	HX-60184	BALL STUD, .312 - 18 UNC x 10 MM	
73	JC700412	BHSCS .375-16 X .50	
74	JC700434	BHSCS .375-16 X 3.00	
77	PN660200	INSERT, PLASTIC	
79	PP090000	INSERT, PLASTIC 1.5 X 2.0 11 GA	
81	PP090206	INSERT, PLASTIC 2.00 X 3.00 X 11 GA	
86	12070-394	DECAL, INDICATOR	
87	11080-375	DECAL, SEAT ADJUSTING	
88	JS347400	LOCKWASHER, INT TOOTH .375	
89	HS347700	WASHER, USS .375	
96	██████████	SEAT PAD	

97	4800-123	KNEE PAD
98	4800-126	WEAR COVER
99	██████████	BACK PAD W/WEARCOVER
100	██████████	WEAR COVER
107	JC700420	BHSCS .375-16 X 1.25
K2	11080K006	KIT, ADJUSTABLE ARM REST HARDWARE
K3	11080K005	KIT, ADJUSTING DECAL

11080 Arm Extension Belt Routing



Order 9'

55A

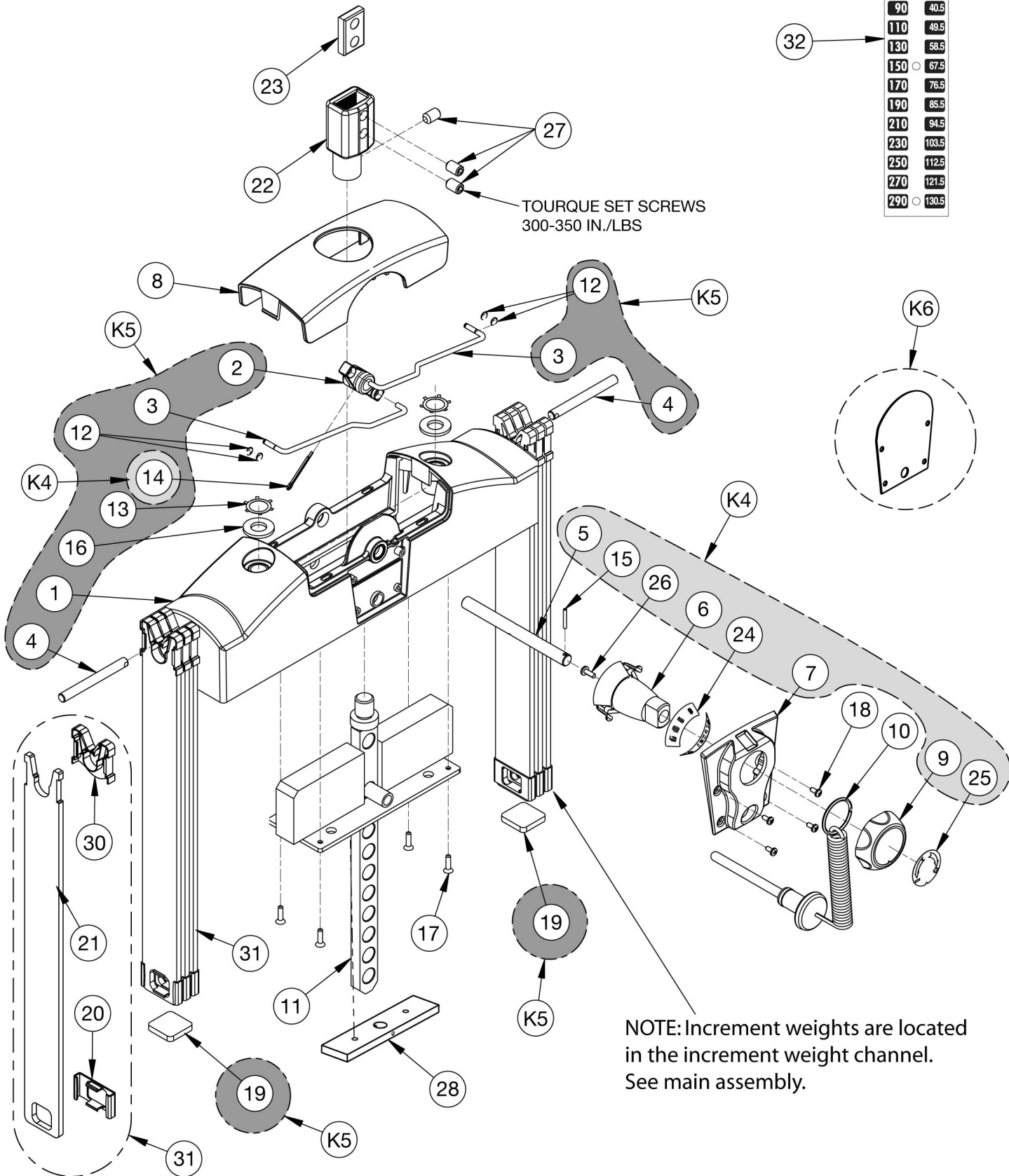
Order 3'

55B

<u>Bulb Number</u>	<u>Part Number</u>	<u>Description</u>
55A, 55B	GB000202	BELT .95 WIDE, SEE DRAWING FOR LENGTH

11080 Arm Extension Top Weight Assembly

30	○	13.5
50		22.5
70		31.5
90		40.5
110		49.5
130		58.5
150	○	67.5
170		76.5
190		85.5
210		94.5
230		103.5
250		112.5
270		121.5
290	○	130.5



TOURQUE SET SCREWS
300-350 IN./LBS

32

K6

NOTE: Increment weights are located
in the increment weight channel.
See main assembly.

<u>Bulb Number</u>	<u>Part Number</u>	<u>Description</u>
1	11040-366	Top Weight Assembly, Molded
2	11040-367	Hub, Molded
3	11040-369	Rod, Linkage
4	11040-370	Pin
5	11040-427	Rod
6	11040-426	Stem
7	11040-424	Cover Plate
8	11040-416	Cover, Top Weight
9	11040-425	Knob
10	BH030207	Pin, Weight Selector
11	4700-250	Lifting Post 10
12	BR030209	External Retaining Ring .188
13	BR030220	Internal Retaining Ring 1.250
14	HP016820	Cotter Pin .125 X 1.25
15	HP266765	Roll Pin, .125 X .938
16	HS720004	Felt Washer, .641 1.250 .125 T
17	HT562715	Tap SC NO 10 x .750 F Phil
18	HT582510	Tap SC NO 10 x .375 PN HD Phil
19	11040-409	Molded Bumper Pad
20	11040-572	Guard, Bottom Increment Weight
21	11040-577	Weight Increment
22	11040-216	Belt Clamp
23	11040-301	Clamp Block Insert
24	11040-428	Adjustment Decal
25	11040-429	Rotation Decal

26	HT552512	TAP SC NO. 8-16 X? .50 PLASTITE PAN HEAD PHILLIPS? BLACK
27	HY740000	Set Screw
28	4000C101	Weight Stack Plate
29	4701-011	Heavy Weight Pack (Not Shown)
30	11040-578	Guard, Top Increment Weight
31	11040-030	Increment Weight Sub Assembly
32	12000-560	Decal, WT Plate (30-290)
K4	11040K009	Kit, Increment Weight
K5	11040K010	Kit, Top Weight Hardware
K6	11040K007	Kit, Non-Increment Top Weight