

Lower Control Board 625CR, 750CR, 770CR

Kit Number KAD-24243

Installation Instructions

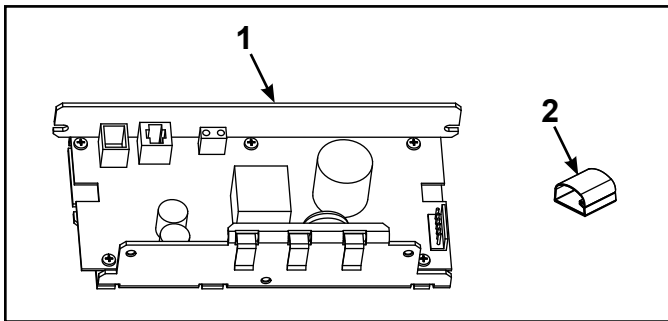
This instruction sheet describes how to install the lower control board for Cybex bike models 625C, 625R, 750C, 750R, 770C, or 770R.

Tools Required

- Phillips screwdriver
- 6 mm Allen wrench
- Torque wrench with 6 mm Allen wrench head

Read and understand all instructions thoroughly before installing this kit.

Verify the kit contents shown.



	Part number	Description
1	AD-21280	Lower control board
2	HX-14416	Gray clip (For upright bikes only)

Disconnect optional external power source

Unplug the unit from the power outlet.

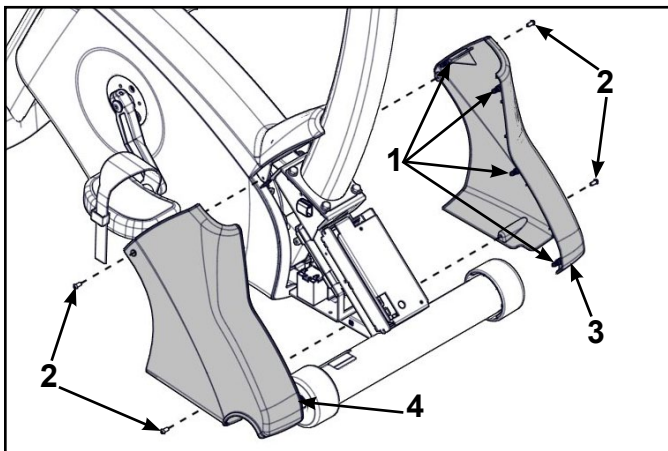
⚠ WARNING: *Serious injury or death can occur. To avoid injury or death the following procedure must be followed. Unplug power cord before beginning this procedure. Failure to disconnect power cord could result in electrical shock.*

Upright bike installation, models 625C, 750C, or 770C

For recumbent bikes, skip to page 5.

Remove front covers

1. Remove two screws securing the front right cover using a Phillips screwdriver.



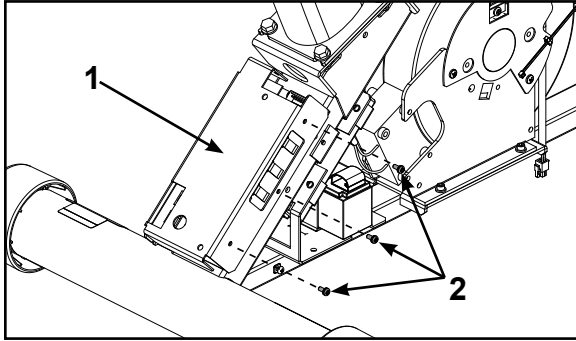
1	Plastic connectors (4)
2	Screws (4)
3	Front left cover
4	Front right cover

In addition to the mounting screws, there are four plastic connectors that secure the front covers together. Ensure that all four plastic connectors are inserted properly in the front covers.

2. Remove two screws securing the front left cover using a Phillips screwdriver.

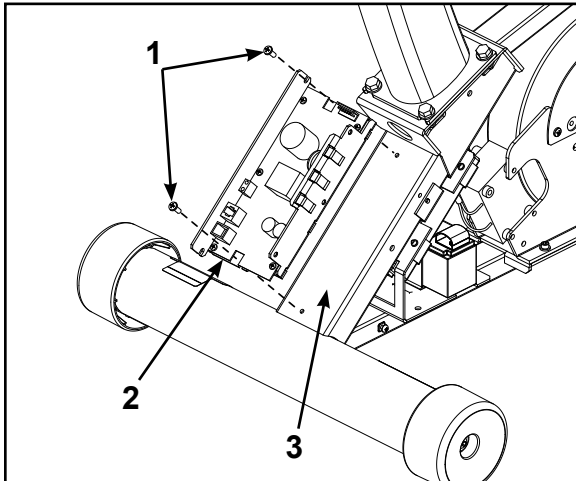
Remove lower control board

1. Remove the battery cable, display cable, brake generator cable and optional power cable from the lower control board connector.
2. Remove the three screws securing the lower board cover using a Phillips screwdriver.



1	Lower board cover
2	Screws (3)

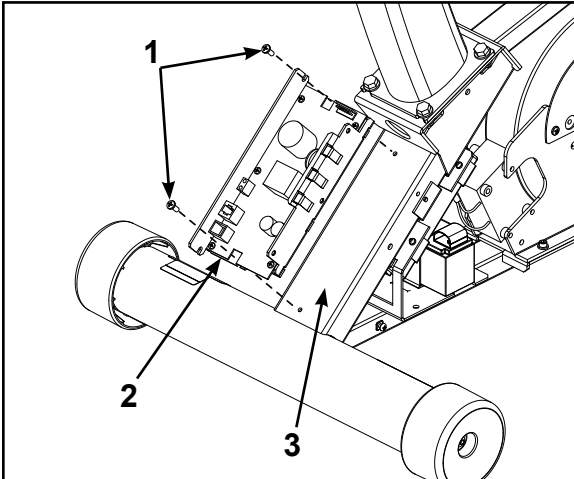
3. Remove two screws that secure the lower control board to the frame using a Phillips screwdriver. Cybex may want this part back for evaluation. Contact Cybex Customer Service at 888-462-9239.



1	Screws (2)
2	Lower control board
3	Frame

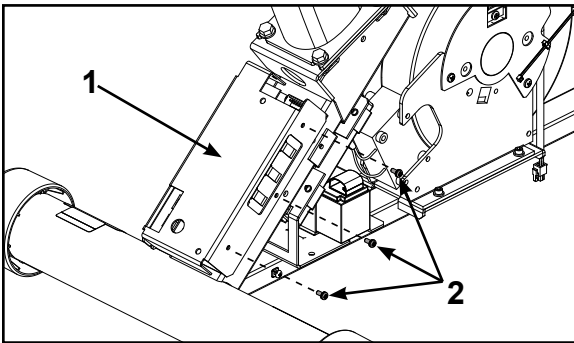
Install lower control board

1. Install two screws that secure lower control board to the frame using a Phillips screwdriver.



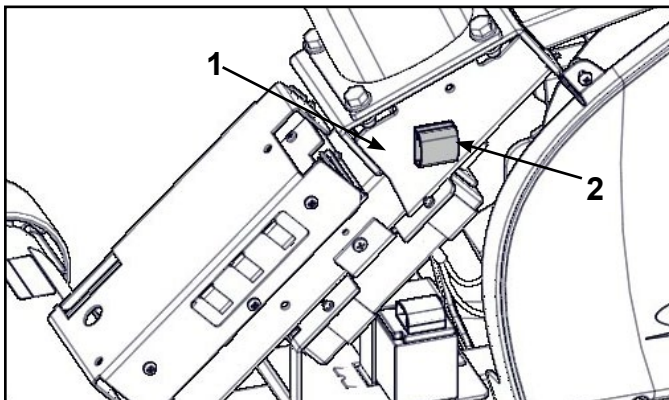
1	Screws (2)
2	Lower control board
3	Frame

2. Install the three screws securing lower board cover using a Phillips screwdriver.



1	Lower board cover
2	Screws (3)

3. Install the battery cable, display cable, brake generator cable and optional power cable to the lower control board connector.
4. Remove backing material from gray clip and attach gray clip to frame as shown.

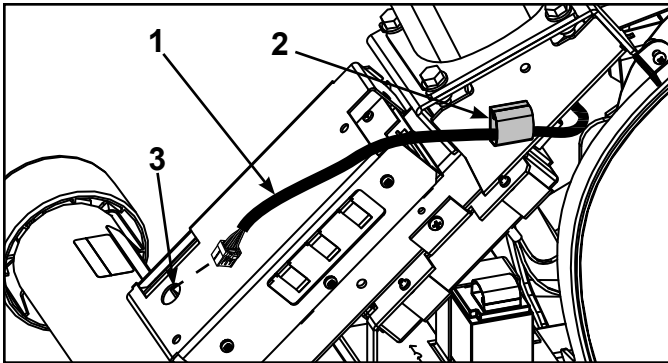


1	Frame
2	Gray clip



CAUTION: Serious injury or damage to machine can occur. To avoid injury the following precautions must be observed. Route display cable as shown to avoid liquids traveling down upright tube, display cable, and into lower control board. Damage to lower control board can occur.

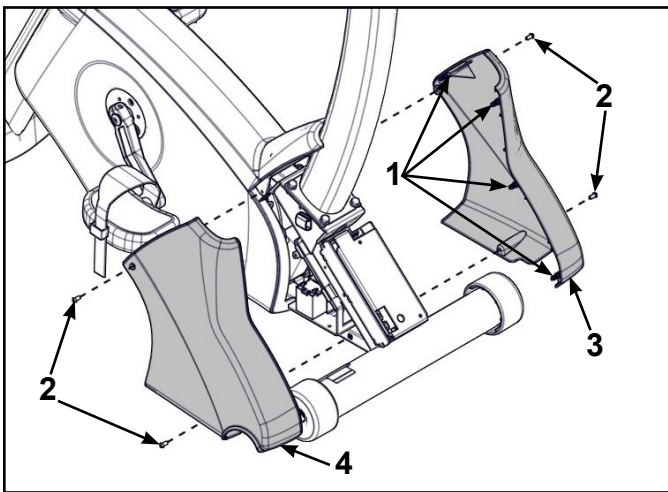
5. Route display cable through frame as shown and plug into lower control board.



1	Display cable
2	Gray clip
3	Lower control board

Install front covers

1. Install two screws securing the front left cover using a Phillips screwdriver.



1	Plastic connectors
2	Screws (4)
3	Front left cover
4	Front right cover

In addition to the mounting screws, there are four plastic connectors that secure the front covers together. Ensure that all four plastic connectors are inserted properly in the front covers.

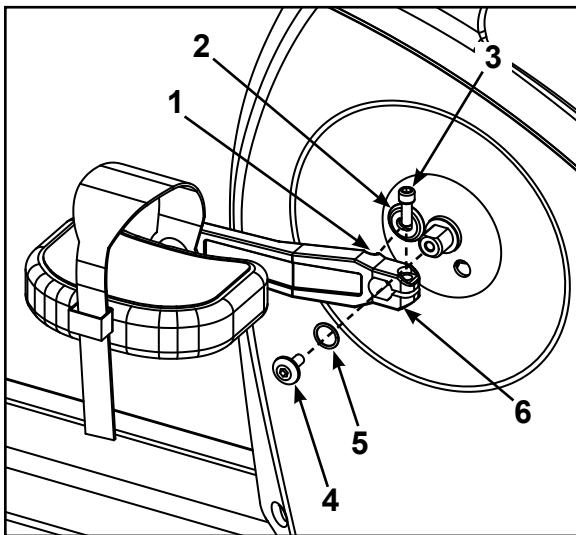
2. Install two screws securing the front right cover using a Phillips screwdriver.

Proceed to *Complete Installation* section on page 10.

Recumbent bike installation, models 625R, 750R, or 770R

Remove crank arms

1. Remove the two bolts and washer securing each of the crank arms using a 6 mm Allen wrench.

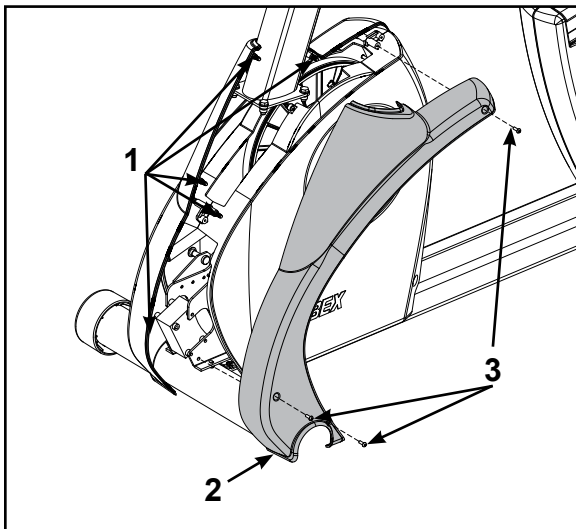


1	Pin
2	Drive sprocket hole
3	Crank bolt
4	Axle bolt
5	Washer
6	Crank arm

2. Remove the crank arms. The bike is equipped with a left and a right crank arm. The right crank arm has a pin that inserts into a hole in the drive sprocket.

Remove front covers

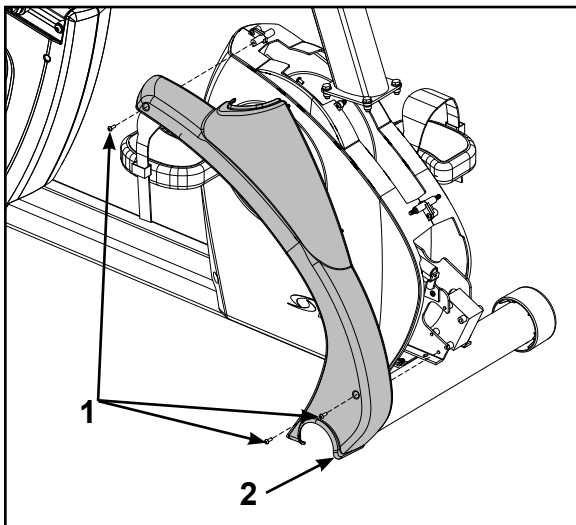
1. Remove the three screws securing the front left cover using a Phillips screwdriver.



1	Plastic connectors
2	Front left cover
3	Screws (3)

In addition to two mounting screws per front cover, there are five plastic connectors that secure the front covers together. Ensure that all five plastic connectors are inserted properly in the front covers.

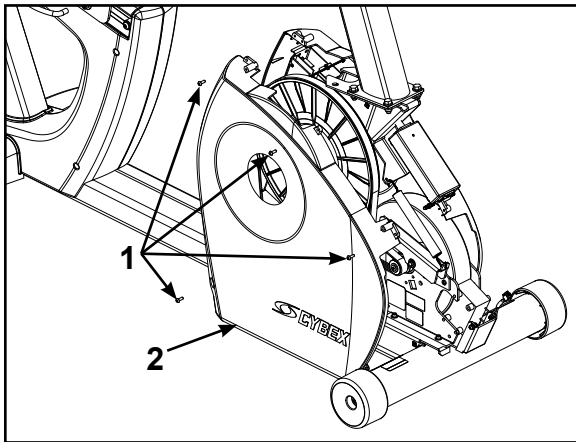
2. Remove the three screws securing the front right cover using a Phillips screwdriver.



1	Screws (3)
2	Front right cover

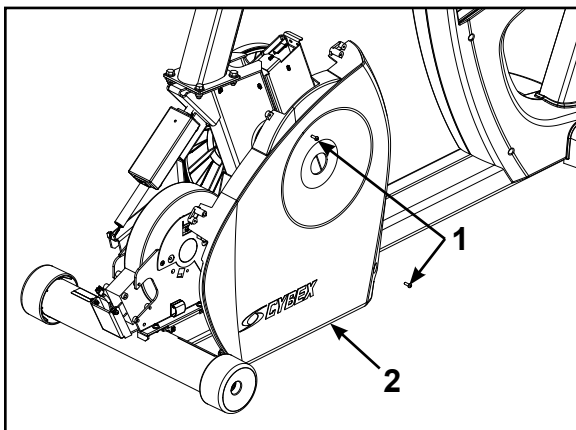
Remove side covers

1. Remove the four screws securing the right side cover using a Phillips screwdriver.



1	Screws (4)
2	Right side cover

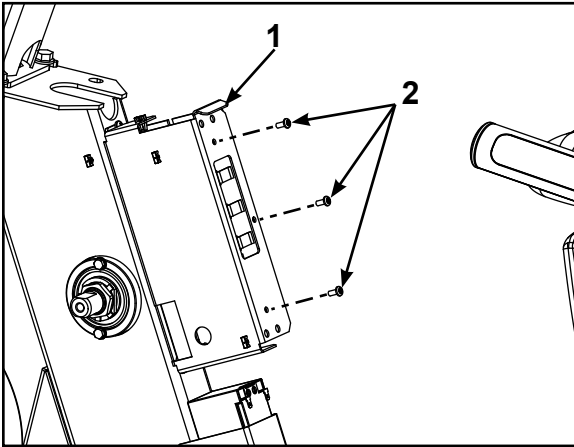
2. Remove the two screws securing the left side cover using a Phillips screwdriver.



1	Screws (2)
2	Left side cover

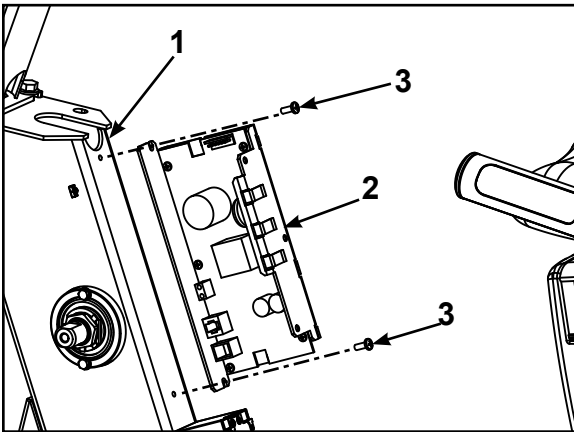
Remove lower control board

1. Remove the battery cable, display cable, brake generator cable and optional power cable from the lower control board connector.
2. Remove the three screws securing the lower board cover using a Phillips screwdriver.



1	Lower control board
2	Screws (3)

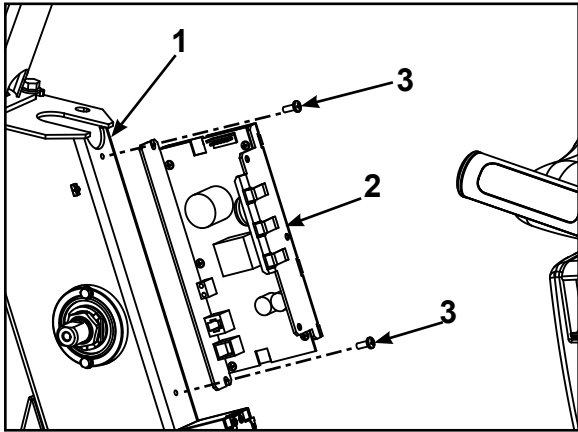
3. Remove the two screws that secure the lower control board to the frame using a Phillips screwdriver. Cybex may want this part back for evaluation. Contact Cybex Customer Service at 888-462-9239.



1	Frame
2	Lower control board
3	Screws (2)

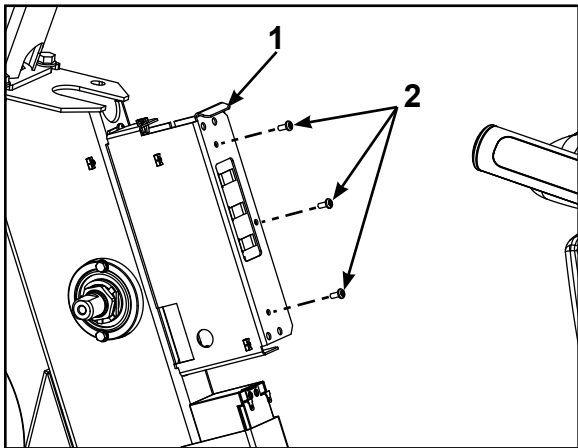
Install lower control board

1. Install the two screws that secure the lower control board to the frame using a Phillips screwdriver.



1	Frame
2	Lower control board
3	Screws (2)

2. Install the three screws securing the lower board cover using a Phillips screwdriver.

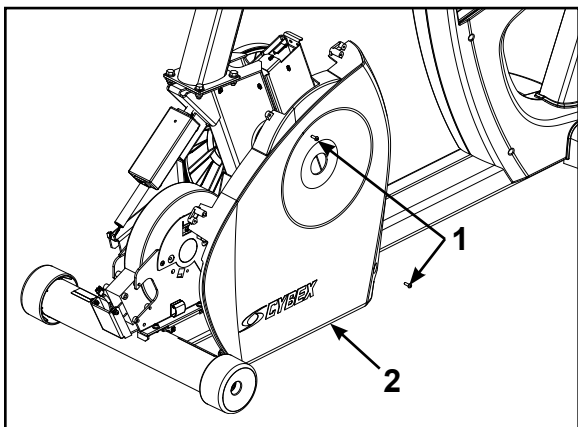


1	Lower control board
2	Screws (3)

3. Connect the battery cable, display cable, brake generator cable and optional power cable to the lower control board connector.

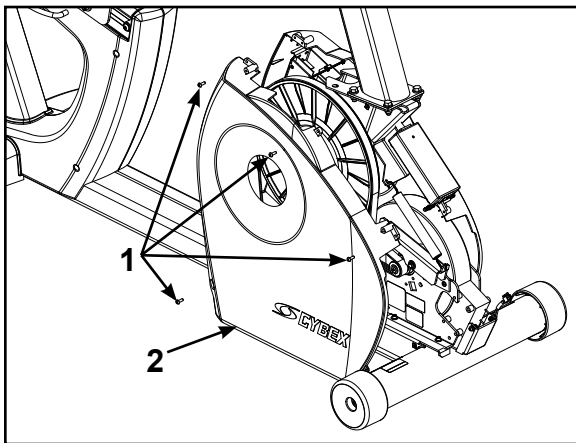
Install side covers

1. Install the two screws securing the left side cover using a Phillips screwdriver.



1	Screws (2)
2	Left side cover

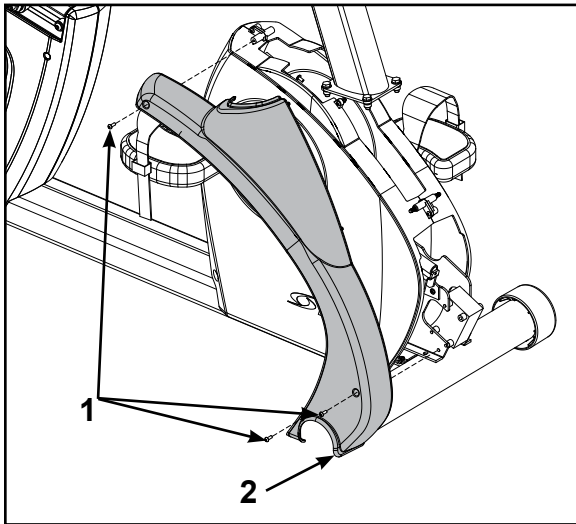
2. Install the four screws securing the right side cover using a Phillips screwdriver.



1	Screws (4)
2	Right side cover

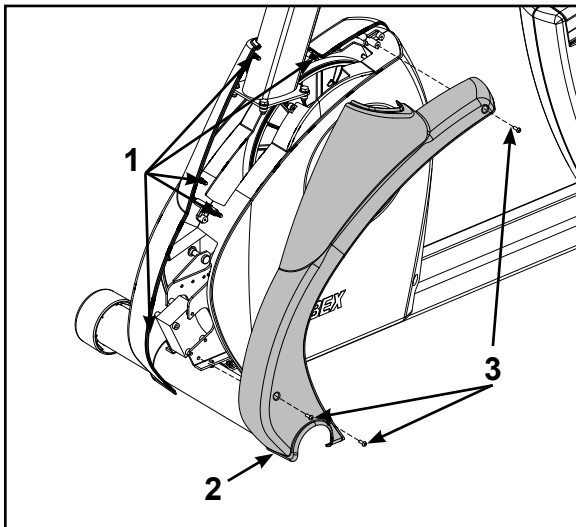
Install front covers

1. Install the three screws securing the front right cover using a Phillips screwdriver.



1	Screws (3)
2	Front right cover

2. Install the three screws securing the front left cover using a Phillips screwdriver.



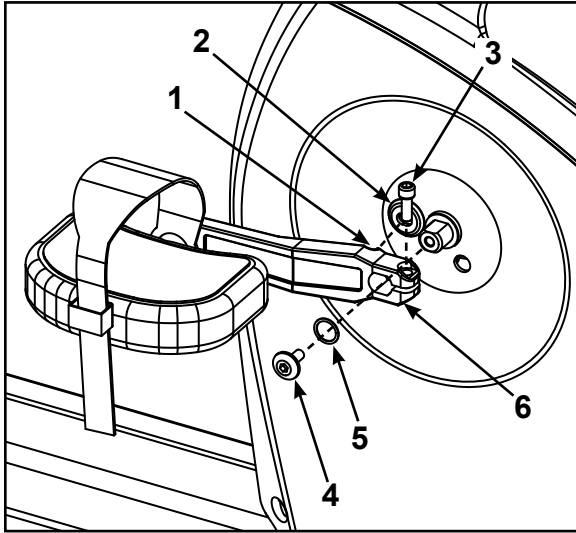
1	Plastic connectors (5)
2	Front left cover
3	Screws (3)

In addition to two mounting screws per front cover, there are five plastic connectors that secure the front covers together. Ensure that all five plastic connectors are inserted properly in the front covers.

Install crank arms

The bike is equipped with a left and a right crank arm. The right crank arm has a pin that inserts into a hole in the drive sprocket.

Install the two bolts and washer securing each of the crank arms using a torque wrench with a 6 mm Allen wrench head. Tighten each crank bolt to 250 inch pounds.



1	Pin
2	Drive sprocket hole
3	Crank bolt
4	Axle bolt
5	Washer
6	Crank arm

Complete installation

1. Plug the optional power cord into the power outlet.
2. Operate the unit at all levels to verify proper operation.